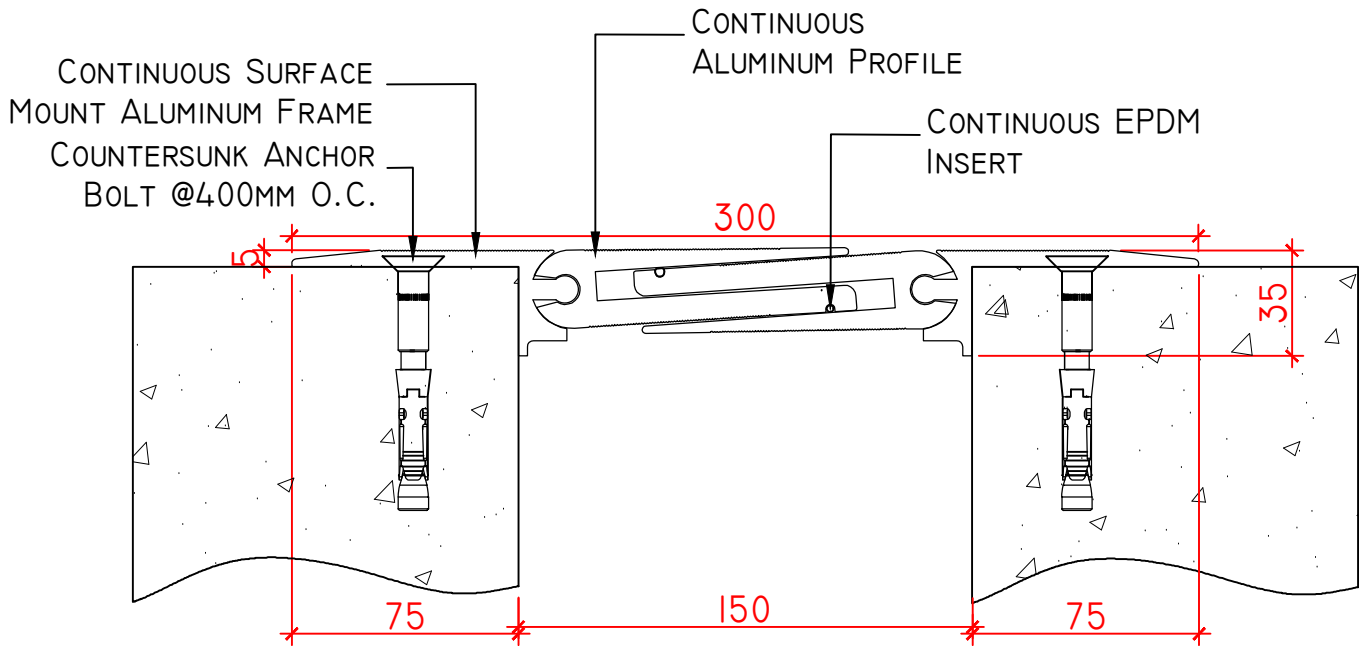
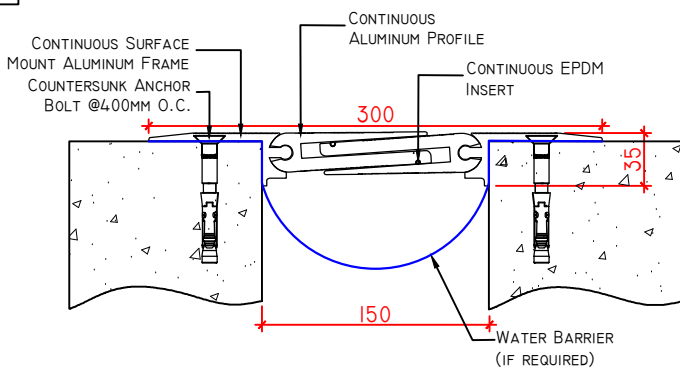


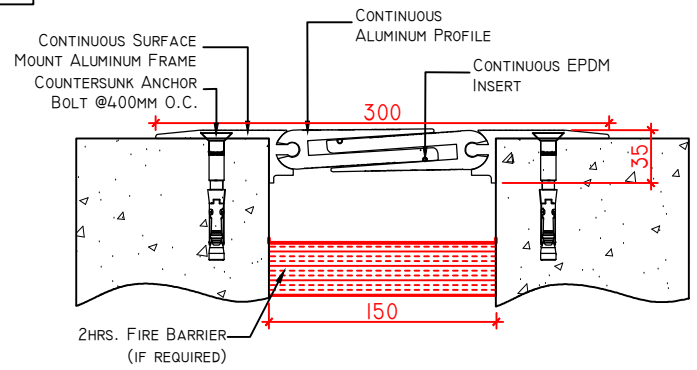
OPTION 1: OF-1670



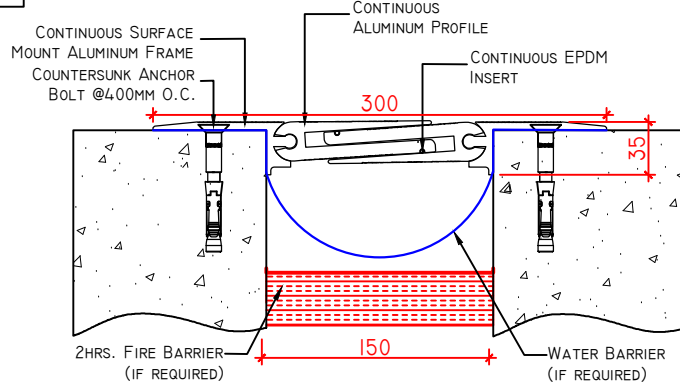
OPTION 2: OF-1670 + WATER BARRIER



OPTION 3: OF-1670 + FIRE BARRIER



OPTION 4: OF-1670 + WATER BARRIER + FIRE BARRIER



SKU	NAME	JOINT WIDTH, JW(MM)	HEIGHT, H(MM)	SIGHTLINE, S(MM)	MOVEMENT CAPACITY %	LOAD CAPACITY (KN)
OF1670I5035300	OF-1670-150	150	35	300	±25	35



GENOTEK

PRODUCT TYPE: EXPANSION JOINT COVER

APPLICATION: FLOOR TO FLOOR CONDITION

APPROVED BY CLIENT: