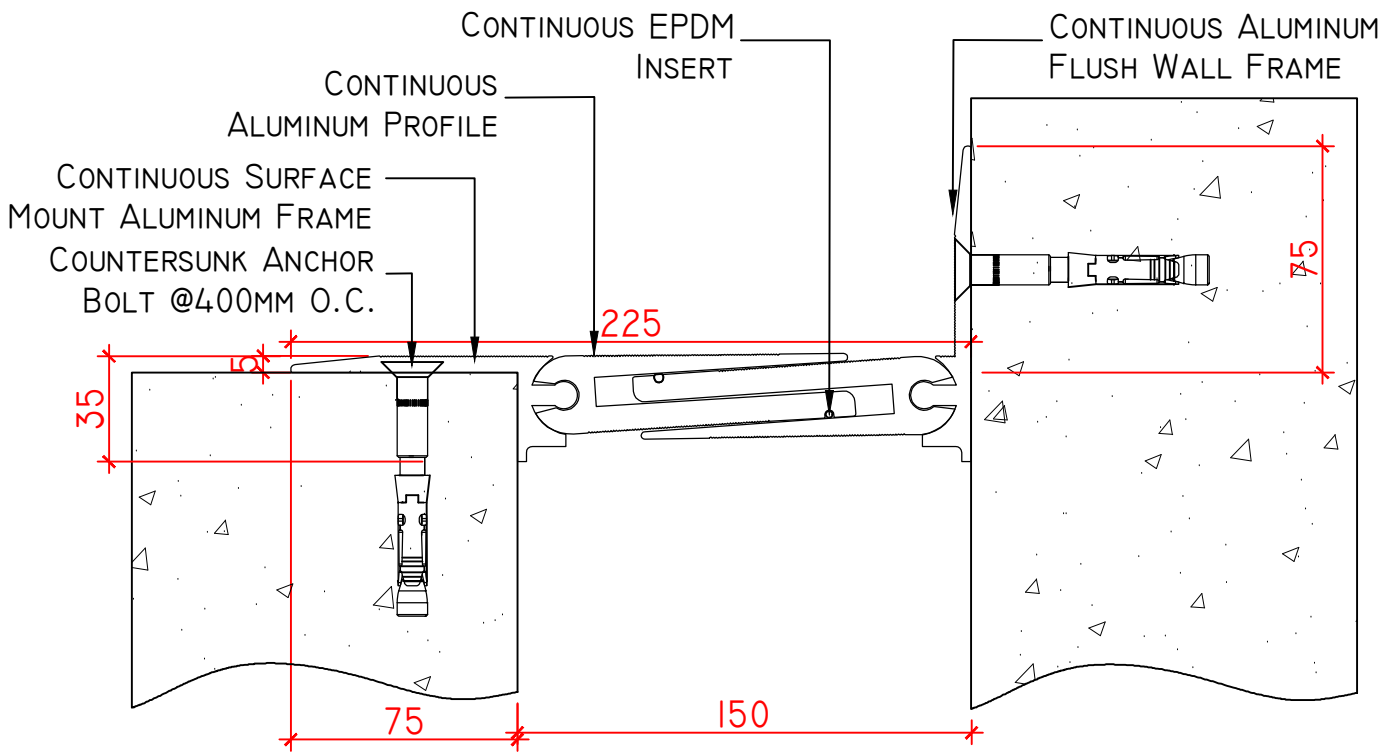
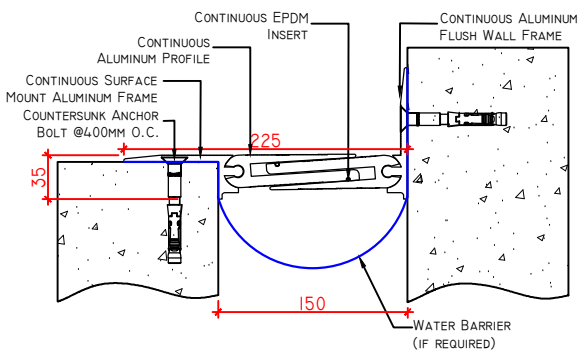


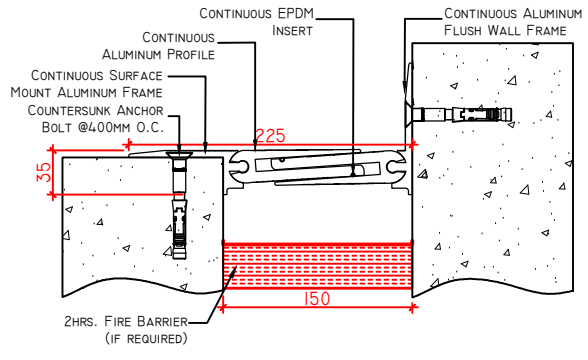
OPTION 1: OFK-I670



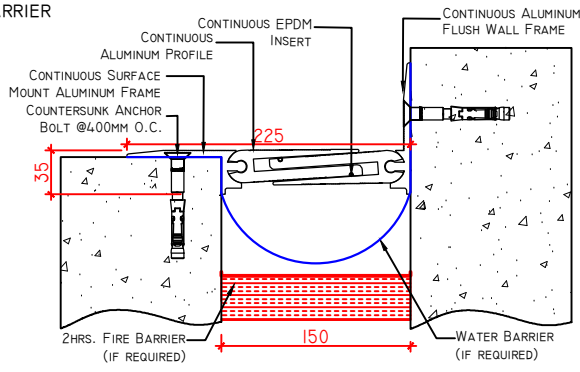
OPTION 2: OFK-I670 + WATER BARRIER



OPTION 3: OFK-I670 + FIRE BARRIER



OPTION 4: OFK-I670 + WATER BARRIER + FIRE BARRIER



| SKU | NAME | JOINT WIDTH, JW(MM) | HEIGHT, H(MM) | SIGHTLINE, S(MM) | MOVEMENT CAPACITY % | LOAD CAPACITY (KN) |
|-----------------|--------------|---------------------|---------------|------------------|---------------------|--------------------|
| OFKI670I5035225 | OFK-I670-I50 | 150 | 35 | 225 | ±25 | 35 |



PRODUCT TYPE: EXPANSION JOINT COVER

APPLICATION: FLOOR TO WALL CONDITION

APPROVED BY CLIENT:

DISCLAIMER: THE SIZE OF THE PROFILE MAY VARY ±3% DUE TO EXTRUSION PROCESS. FOR MORE INFORMATION, PLEASE CONTACT TECHNICAL@GENOTEK.GLOBAL.