



OF-1670 & OFK-1670 HEAVY DUTY SURFACE MOUNT FLOOR SYSTEMS



PRODUCT DESCRIPTION

The OF - 1670 Expansion Joint Cover is an ideal Cover for Floor to Floor applications.

The Series is suitable to be used in areas where vehicular loads are expected.

The components of the OF-1670 cover are:

- Extruded Aluminium Support Profiles.
- Extruded Aluminium Centre plates (independent & interlocking) which accommodate the expansion and contraction in the adjacent concrete slabs.
- Elastomeric Rubber Gaskets

The OF - 1670 is a complete aluminium Expansion Joint Cover profile.

The Profile is specifically designed to be used in Areas where High Loads and Slow Moving Vehicular Traffic are expected.

It can accommodate Three Directional Movements and it is a Highly Durable Profile.

For Lower Gap Sizes, the Profile is available as a 3-component Profile comprising of Surface Mount Aluminium Support Plates and a Continuous Central Glide Plate that moves between the Support Plates to accommodate Thermal Movement.

For Higher Gap Sizes, the Profile is available as a 4-component profile comprising of Surface Mount Aluminium Support Plates and 2 Interlocking Central Covers that move amongst each other and between the Surface Mount Support Plates to accommodate Thermal Movements, Minimal Seismic/Multi-Directional Movements and Minimal Vertical Deflection.

To cancel out any metal to metal noise and to prevent the penetration of liquids, the profile has Elastomeric Rubber Gaskets included between the Interlocking Plates.

RECOMMENDED FOR

- Areas with heavy duty vehicular traffic
- Warehouses
- Parking garages

TECHNICAL DATA

Support Profiles and Centre Plates (independent & interlocking)

The Aluminium profiles are extruded using one of the multiple Aluminium alloys and tempers.

The selection of the Aluminium grade depends on the use case of the profile.

Aluminium grade AA 6063 is the preferred choice for most profiles.



OF-1670 & OFK-1670 HEAVY DUTY SURFACE MOUNT FLOOR SYSTEMS

Optional: Vapour Barrier

Material	Ethylene Propylene Diene Monomer.
Color	Black.
Tensile Strength	1431 psi - ASTM D 412.
Tear Resistance (lbf/in.)	204 - ASTM D 624.
Puncture Resistance (lbf)	60 at 4.49" - ASTM E 154.

STORAGE & HANDLING

ALUMINIUM

• Transportation

Aluminium can be damaged during transport and constitutes in the form of scratches and wear marks that can lead to subsequent interfacial corrosion. Such damage prevents satisfactory surface treatment of the profiles.

The appearance of Aluminium is affected by minor transportation damages to the surface of the material but mechanical properties of the metal, however, remain unaffected.

To prevent such damage to the material, it is important for the Aluminium profiles to be packaged in strong paper, plastic or bubble wrap during any moving and transportation to prevent individual profile surfaces from bumping against each other thus causing scratches.

• Storage

It is important to note that Aluminium gets easily affected by water and moisture.

Aluminium alloys with higher magnesium content are sensitive to water and condensation, whereas purer alloys have greater resistance to the same.

Moisture damage to Aluminium appears as white patches/ spots or dark discolouration marks and can be observed in the event if water or condensation is trapped between Aluminium profile stacked upon or lying very close to each other.

SUBSTRATE REQUIREMENT & PREPARATION

- The surface must have enough clearance from the reinforcement to provide enough space for the anchor
- The surface must be level to avoid gaps
- The gap must be uniform and in a straight line

INSTALLATION

Kindly refer to the detailed GENOTEK installation instructions or contact your nearest GENOTEK Technical Centre for the same.

PACKAGING

- Aluminium Profile: Standard Supply Length of 3.00 LM per piece.
- Moisture Barrier: Variable Length as per requirement.
- Accessories: Original Manufacturer Packing.

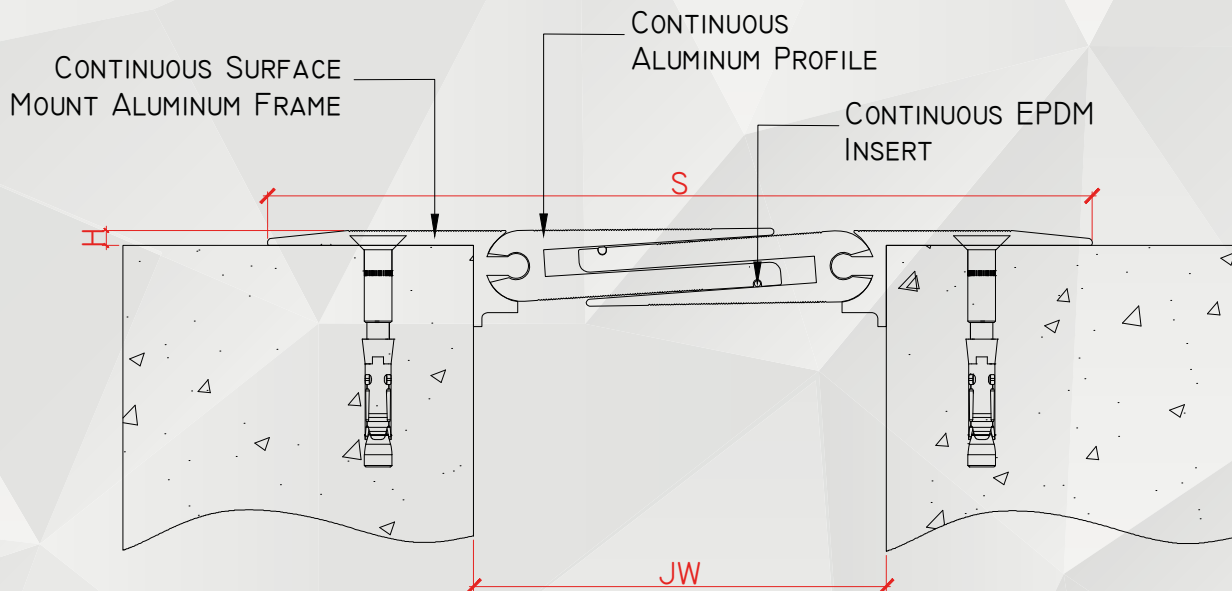


TECHNICAL DATA SHEET

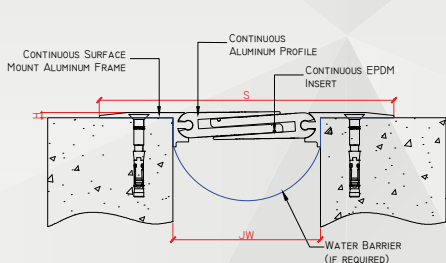


GENOTEK

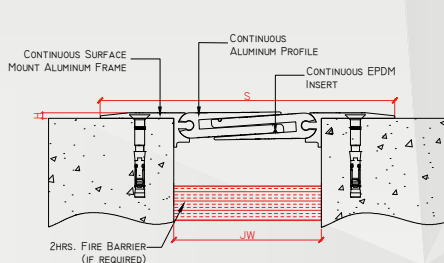
OF-1670 & OFK-1670 HEAVY DUTY SURFACE MOUNT FLOOR SYSTEMS



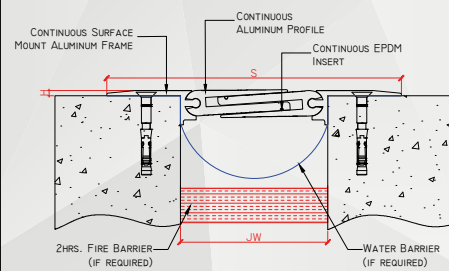
OPTIONAL: WITH WATER BARRIER



OPTIONAL: WITH FIRE BARRIER



OPTIONAL: WATER BARRIER & FIRE BARRIER



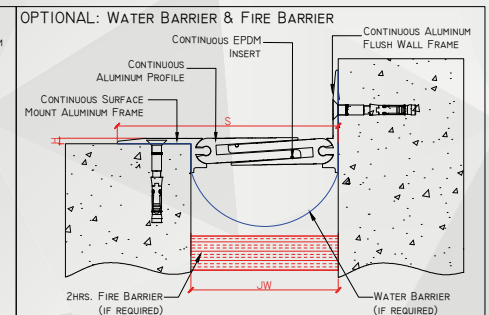
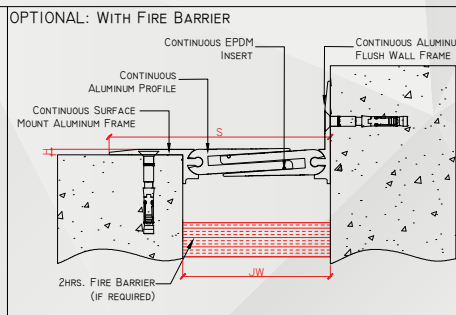
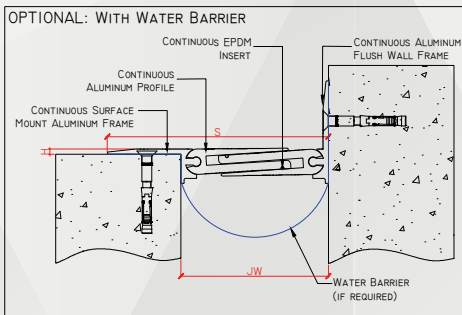
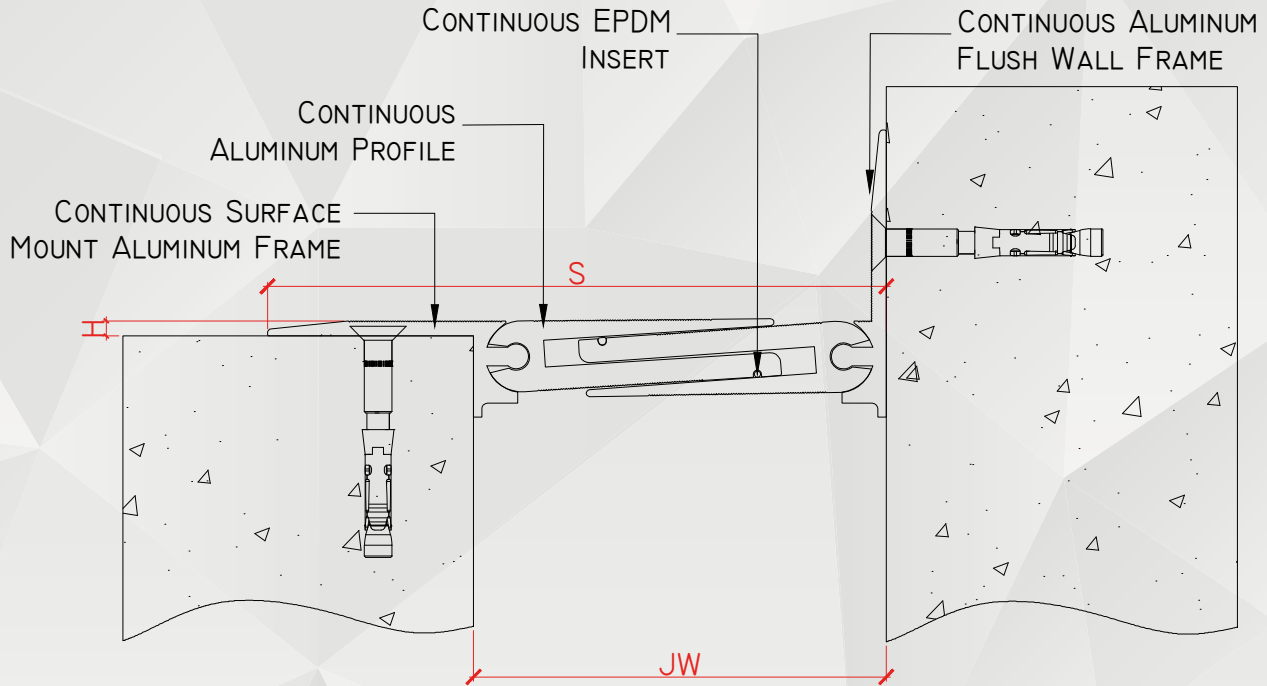
<input checked="" type="checkbox"/>	SKU	NAME	JOINT WIDTH, JW (MM)	HEIGHT, H (MM)	SIGHTLINE, S (MM)	MOVEMENT CAPACITY (%)	LOAD CAPACITY (KN)
<input type="checkbox"/>	OF16705017200	OF-1670-50	50	17	200	±25	35
<input type="checkbox"/>	OF167010021225	OF-1670-100	100	21	225	±25	35
<input type="checkbox"/>	OF167015035300	OF-1670-150	150	35	300	±25	35

NOTE: 1. THE ABOVE DRAWINGS ARE FOR ILLUSTRATION ONLY, PLEASE SEE THE SYSTEM DRAWING OF THE PROFILE FOR THE SECTION DETAILS AS SPECIFICATION MAY VARY.

2. THE ABOVE SIZES ARE FOR REFERENCE, ADDITIONAL SIZES MAY BE AVAILABLE AND / OR CUSTOMIZED. KINDLY CONTACT GENOTEK TECHNICAL SUPPORT FOR MORE INFORMATION.



OF-1670 & OFK-1670 HEAVY DUTY SURFACE MOUNT FLOOR SYSTEMS



<input checked="" type="checkbox"/>	SKU	NAME	JOINT WIDTH, JW (MM)	HEIGHT, H (MM)	SIGHTLINE, S (MM)	MOVEMENT CAPACITY (%)	LOAD CAPACITY (KN)
<input type="checkbox"/>	OFK16705017125	OFK-1670-50	50	17	125	±25	35
<input type="checkbox"/>	OFK167010021160	OFK-1670-100	100	21	160	±25	35
<input type="checkbox"/>	OFK167015035225	OFK-1670-150	150	35	225	±25	35

NOTE: 1. THE ABOVE DRAWINGS ARE FOR ILLUSTRATION ONLY, PLEASE SEE THE SYSTEM DRAWING OF THE PROFILE FOR THE SECTION DETAILS AS SPECIFICATION MAY VARY.

2. THE ABOVE SIZES ARE FOR REFERENCE, ADDITIONAL SIZES MAY BE AVAILABLE AND / OR CUSTOMIZED. KINDLY CONTACT GENOTEK TECHNICAL SUPPORT FOR MORE INFORMATION.