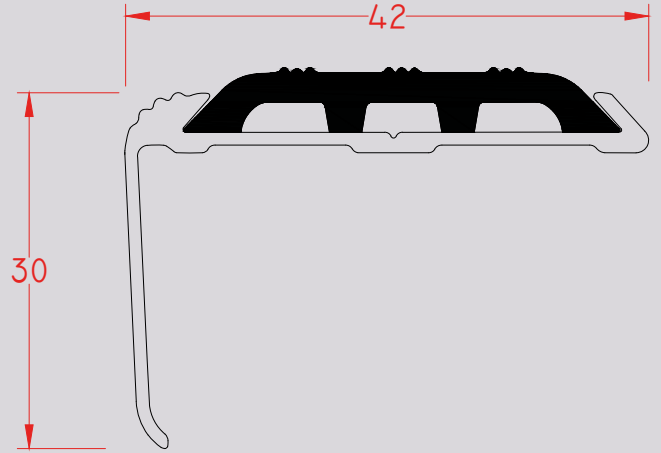




GENOTEK MP-4230 STAIR NOSING



DESCRIPTION:

Genotek Stair treads are used to ensure pedestrian safety and reduce the possibility of litigation for a building owner caused by slip and falls. These also are considered an important part of Occupational Health and Safety (OH&S) for domestic and commercial buildings.

What Genotek refers to as Stair Tread Nosings are sometimes also referenced to as Treads, Step Treads, Anti-Slip Nosings, Slip resistant Nosings, Step Nosings and other variations. Essentially they all have the same function which is to promote pedestrian and public safety. There are a number of Australian and International Standard's and Building Codes that indicate the requirements for Slip Resistant Stair Tread Nosings.

BASIC USES:

Genotek Safety Stair Tread Nosings are Suitable for internal and external applications. We manufacture a wide range of profiles to be architecturally appealing in various applications that suit varying flooring finishes and there are ranges available for new and existing installation applications.

MATERIALS:

Extruded Aluminum: ASTM 6063-T5
Insert Material: TPE Insert

FINISHES:

Aluminum: Anodised finish.

ACCESSORIES/FASTENERS:

Screws for complete installation will be provided by Genotek.

TECHNICAL DATA:

CODE	<i>GEN-MP-4230</i>
MATERIAL	<i>Anodized Aluminum + TPE Insert</i>
ANTISLIP TAPE COLOR	<i>Black</i>
WIDTH	<i>42 mm</i>
HEIGHT	<i>30 mm</i>
LENGTH	<i>3 m</i>