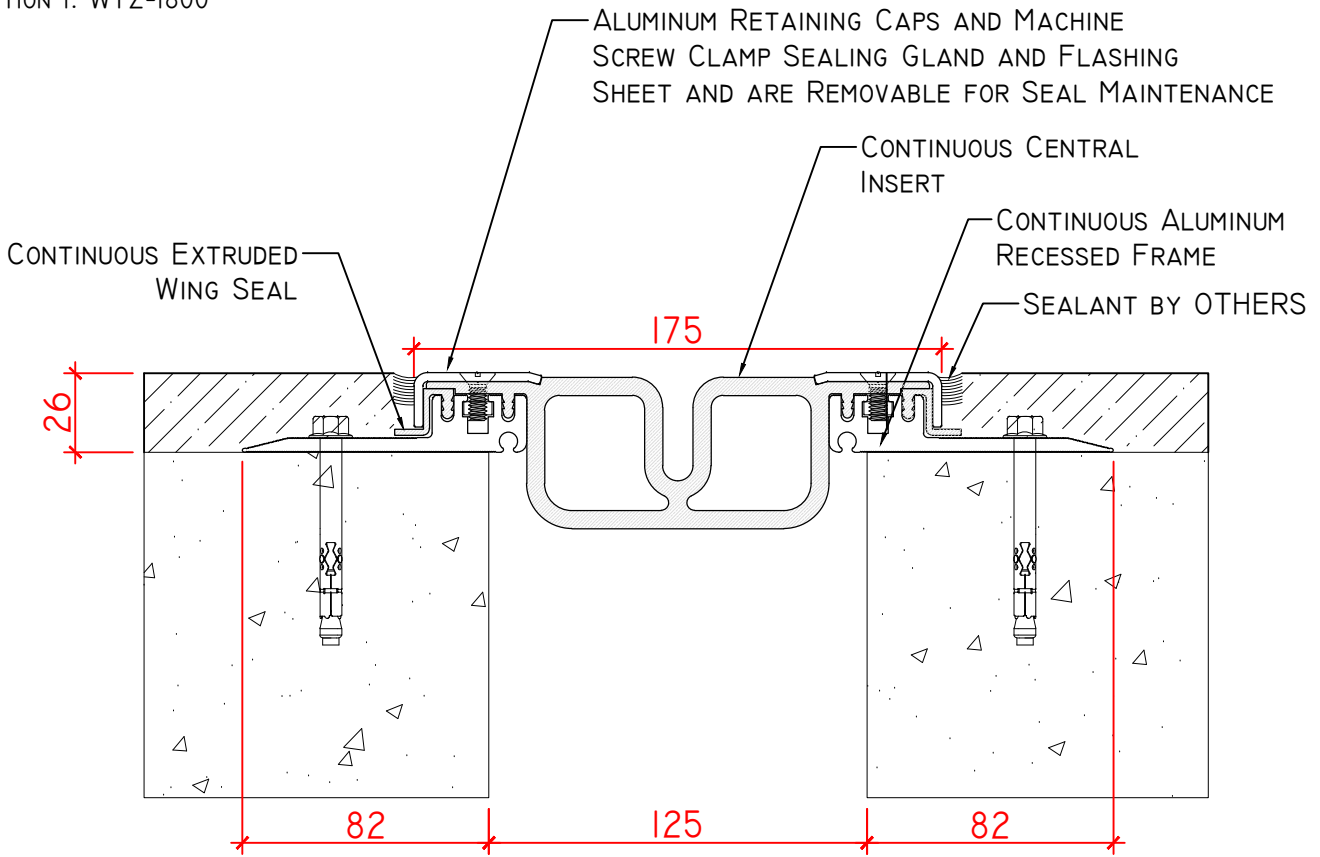
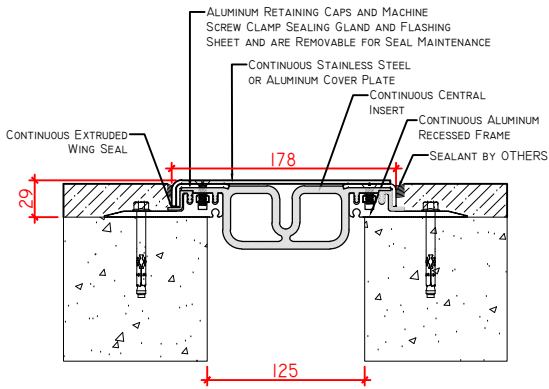


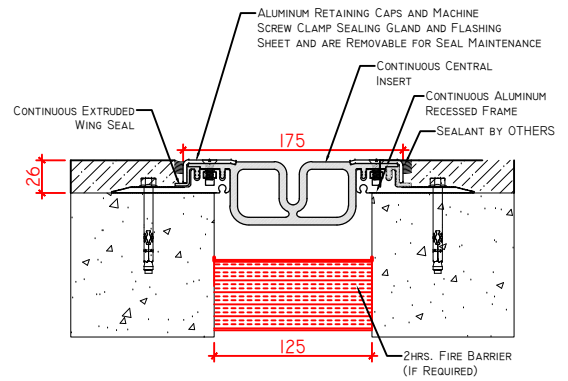
OPTION 1: WTZ-1800



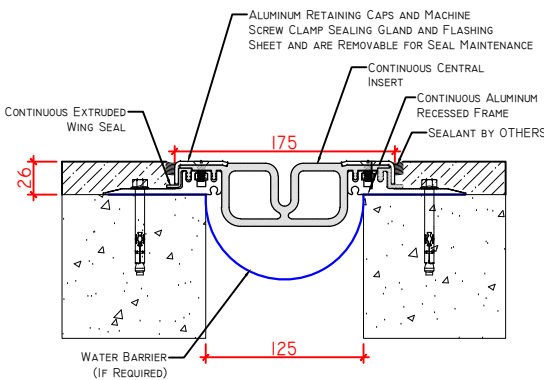
OPTION 2: WTZ-1800 w/ COVER PLATE



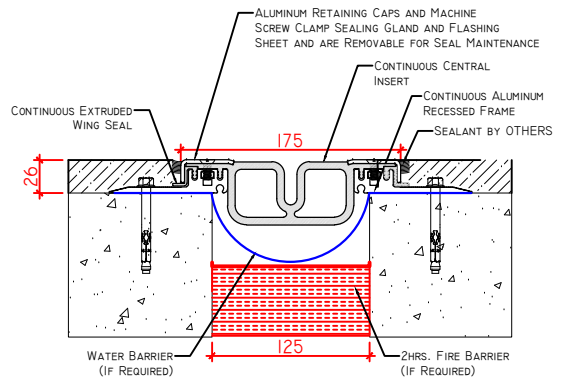
OPTION 3: WTZ-1800 + FIRE BARRIER



OPTION 4: WTZ-1800 + WATER BARRIER



OPTION 5: WTZ-1800 + WATER BARRIER + FIRE BARRIER



SKU	NAME	JOINT WIDTH, JW(MM)	HEIGHT, H(MM)	SIGHTLINE, S(MM)	MOVEMENT CAPACITY %	LOAD CAPACITY (KN)
WTZI800I2526I75	WTZ-1800-125	125	26	175	±40	35



PRODUCT TYPE: EXPANSION JOINT COVER

APPLICATION: FLOOR TO FLOOR WATERTIGHT CONDITION

APPROVED BY CLIENT: