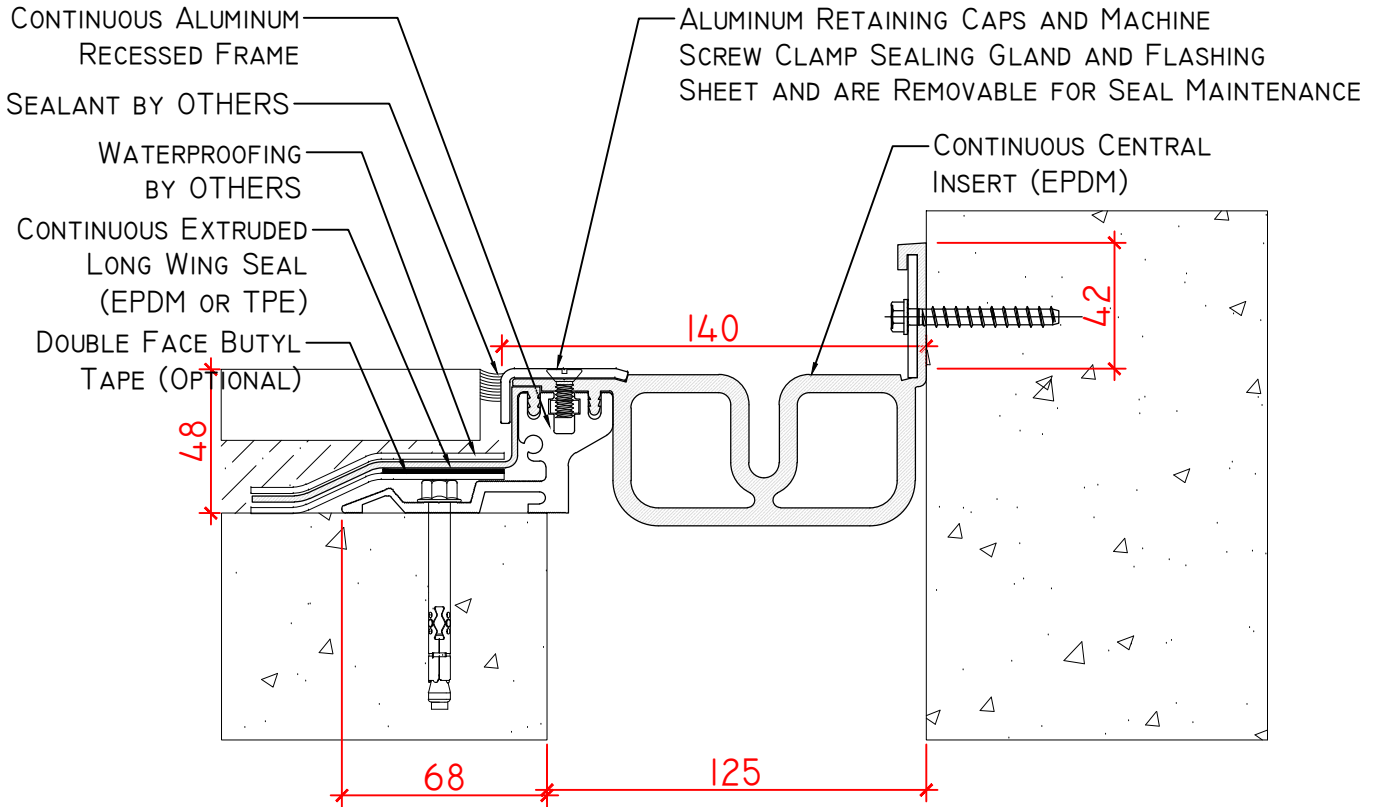
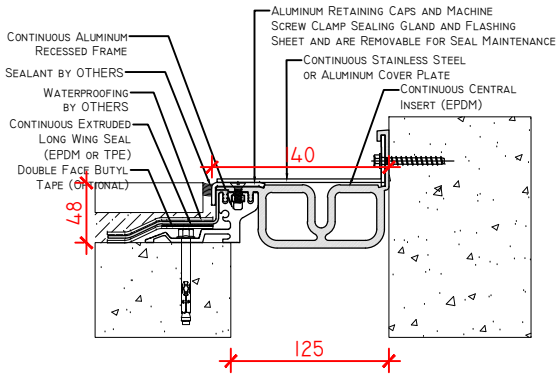


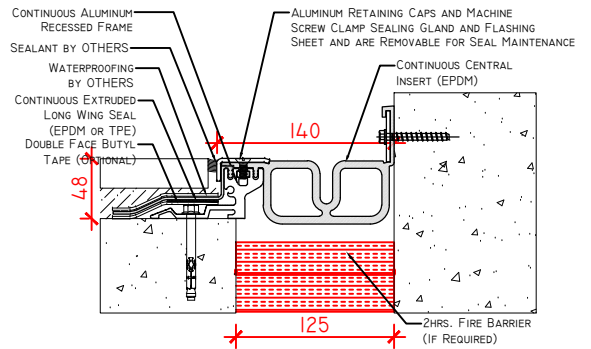
OPTION 1: WTZK-1800



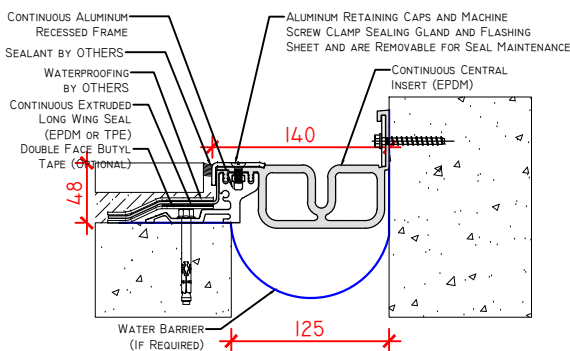
OPTION 2: WTZK-1800 w/ COVER PLATE



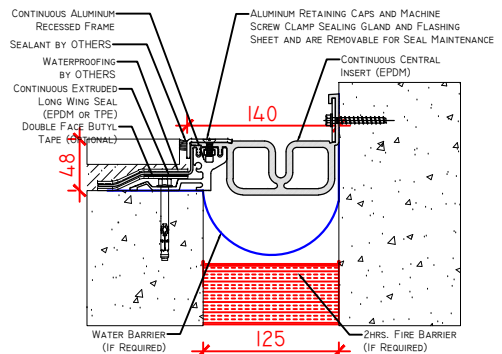
OPTION 3: WTZK-1800 + FIRE BARRIER



OPTION 4: WTZK-1800 + WATER BARRIER



OPTION 5: WTZK-1800 + WATER BARRIER + FIRE BARRIER



SKU	NAME	JOINT WIDTH, JW(MM)	HEIGHT, H(MM)	SIGHTLINE, S(MM)	MOVEMENT CAPACITY %	LOAD CAPACITY (KN)
WTZK1800I2548I140	WTZK-1800-125	120-125	48	140	±40	35



PRODUCT TYPE: EXPANSION JOINT COVER

APPLICATION: FLOOR TO WALL WATERTIGHT CONDITION

APPROVED BY CLIENT: