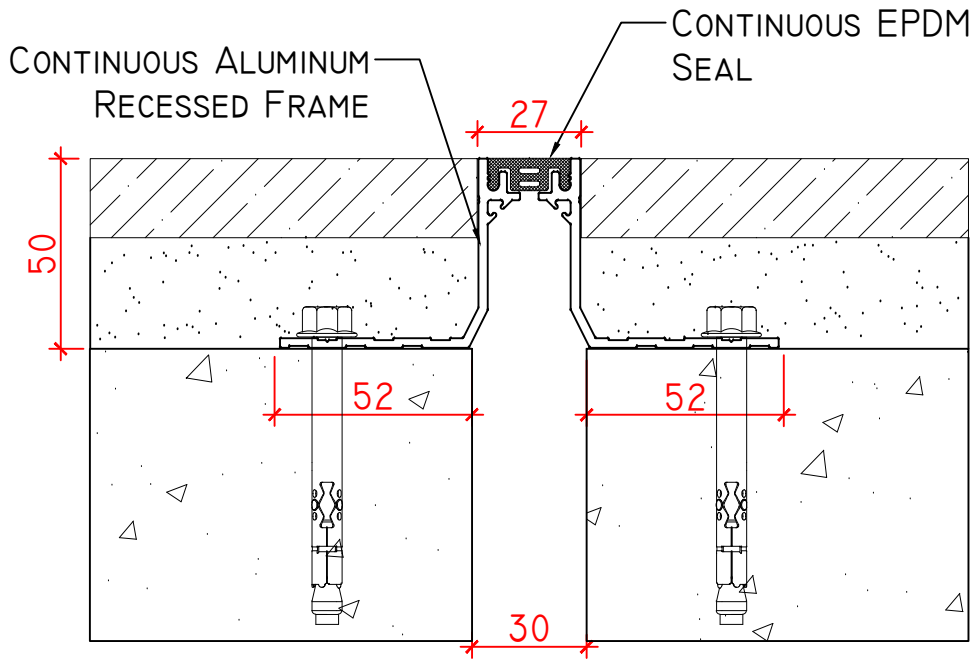
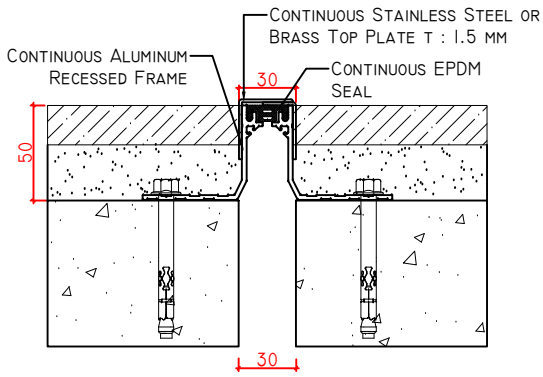


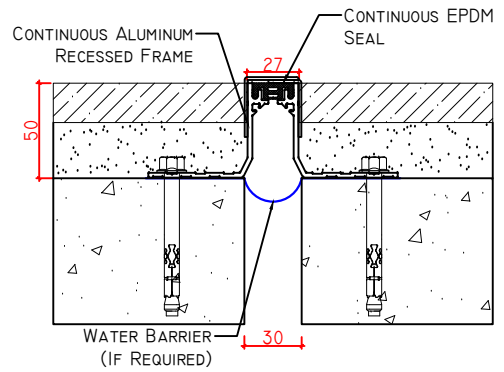
OPTION 1: Z-1000



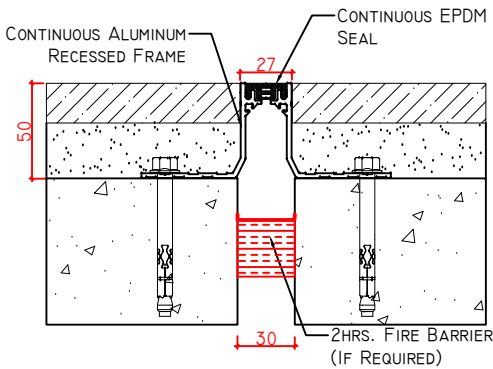
OPTION 2: Z-1000 + COVER PLATE



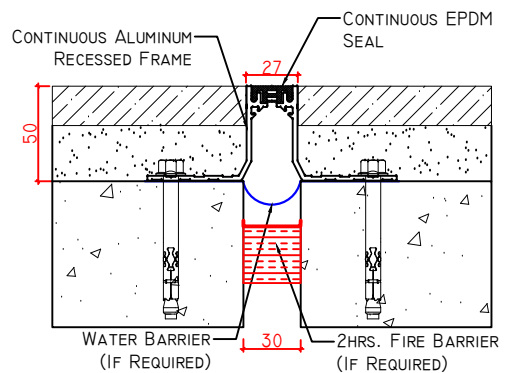
OPTION 3: Z-1000 + WATER BARRIER



OPTION 4: Z-1000 + FIRE BARRIER



OPTION 5: Z-1000 + WATER BARRIER + FIRE BARRIER



SKU	NAME	JOINT WIDTH, JW(MM)	HEIGHT, H(MM)	SIGHTLINE, S(MM)	MOVEMENT CAPACITY %	LOAD CAPACITY (KN)
Z1000305027	Z-1000-30	30	50	27	±20	25



GENOTEK

PRODUCT TYPE: EXPANSION JOINT COVER

APPLICATION: FLOOR TO FLOOR CONDITION

APPROVED BY CLIENT: