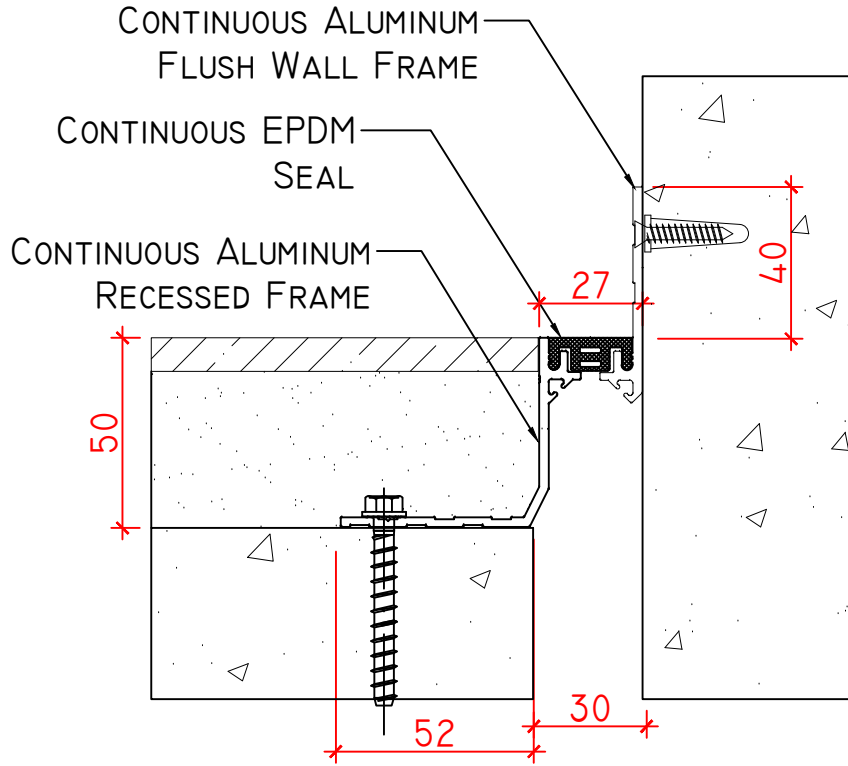
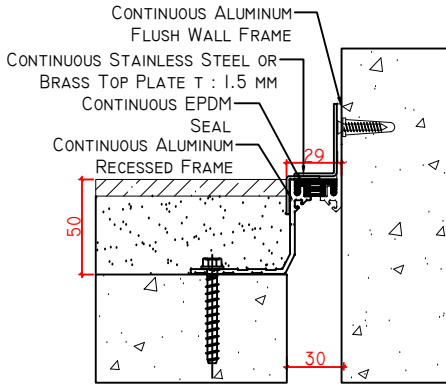


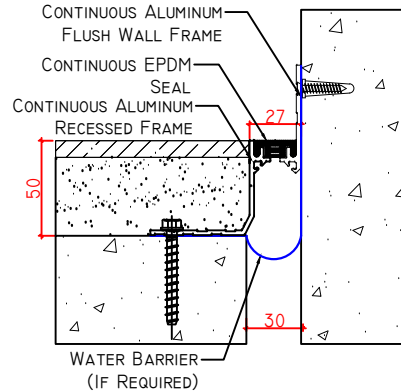
OPTION 1: ZK-1000



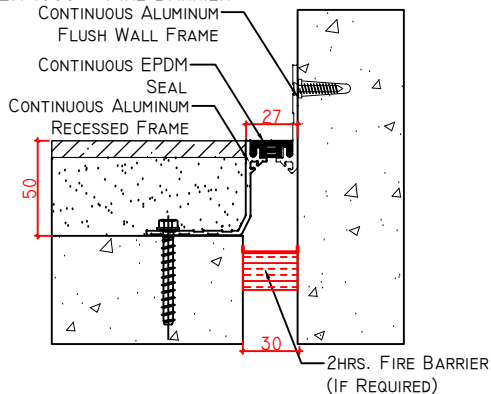
OPTION 2: ZK-1000 + WATER BARRIER



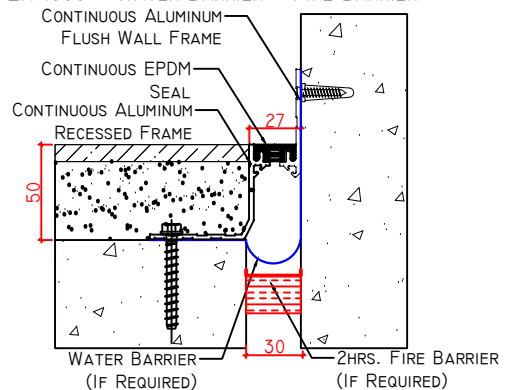
OPTION 3: ZK-1000 + WATER BARRIER



OPTION 4: ZK-1000 + FIRE BARRIER



OPTION 5: ZK-1000 + WATER BARRIER + FIRE BARRIER



SKU	NAME	JOINT WIDTH, JW(MM)	HEIGHT, H(MM)	SIGHTLINE, S(MM)	MOVEMENT CAPACITY %	LOAD CAPACITY (KN)
ZKI000305027	ZK-1000-30	30	50	27	±20	25



GENOTEK

PRODUCT TYPE: EXPANSION JOINT COVER

APPLICATION: FLOOR TO WALL CONDITION

APPROVED BY CLIENT: