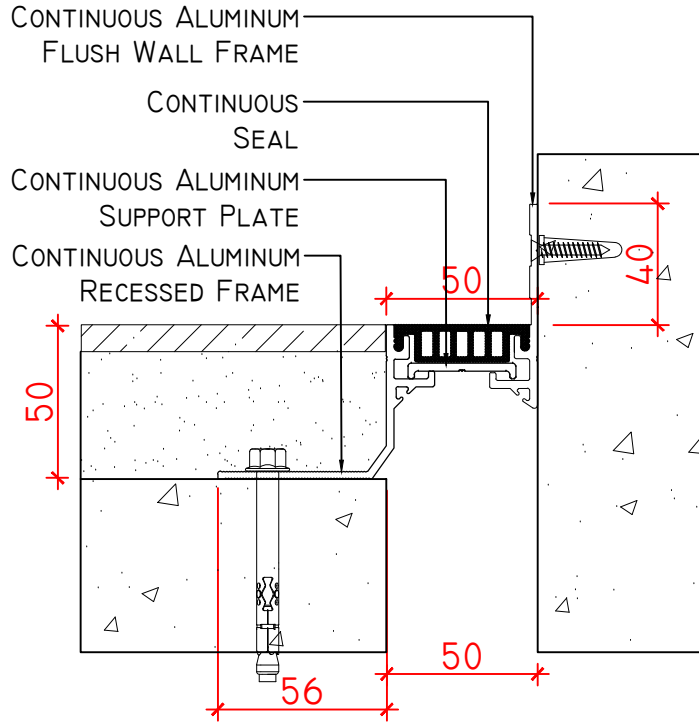
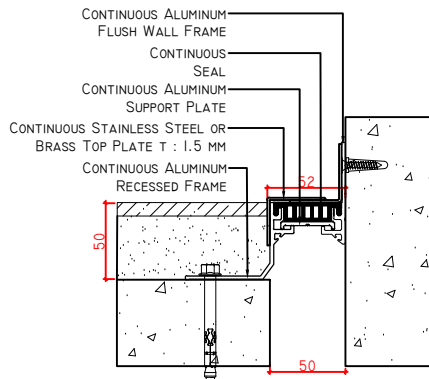


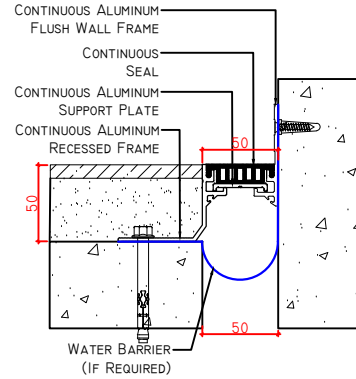
OPTION 1: ZK-1000



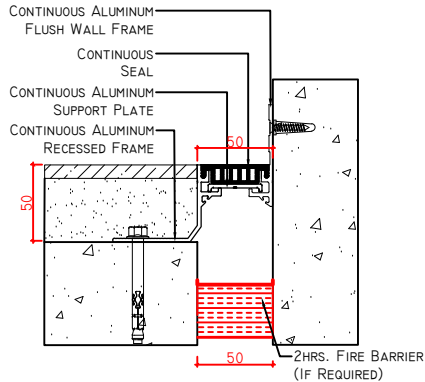
OPTION 2: ZK-1000 + COVER PLATE



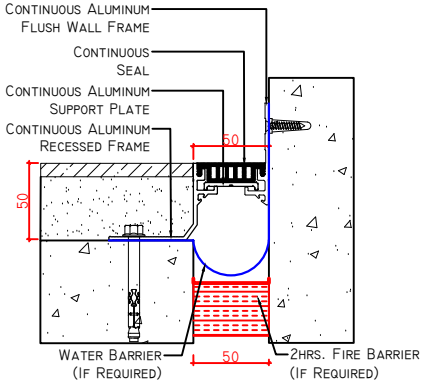
OPTION 3: ZK-1000 + WATER BARRIER



OPTION 4: ZK-1000 + FIRE BARRIER



OPTION 5: ZK-1000 + WATER BARRIER + FIRE BARRIER



SKU	NAME	JOINT WIDTH, JW(MM)	HEIGHT, H(MM)	SIGHTLINE, S(MM)	MOVEMENT CAPACITY %	LOAD CAPACITY (KN)
ZKI000505050	ZK-1000-50	50	50	50	±24	20



PRODUCT TYPE: EXPANSION JOINT COVER

APPLICATION: FLOOR TO WALL CONDITION

APPROVED BY CLIENT: