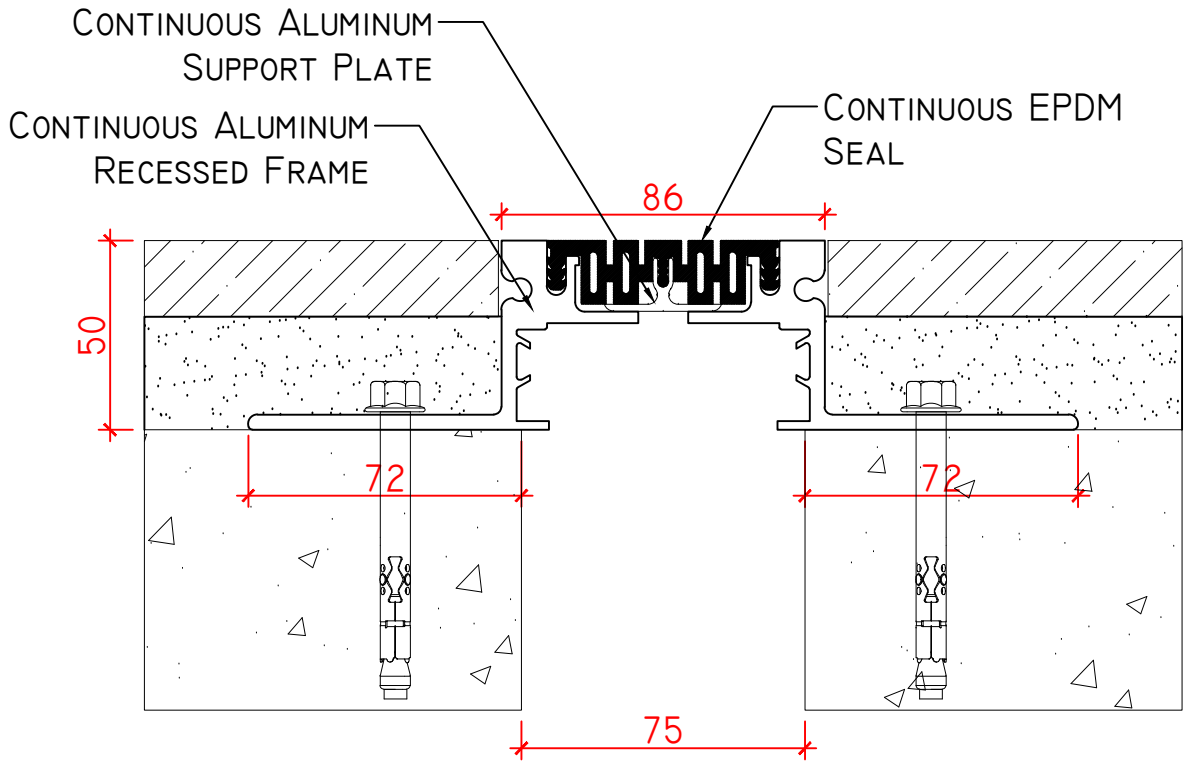
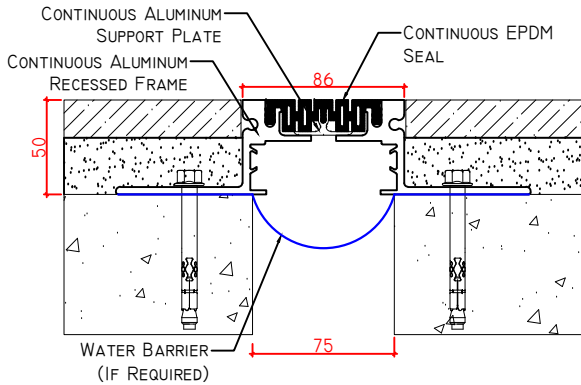


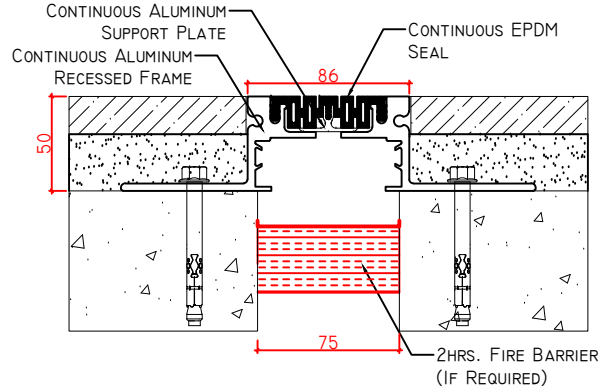
OPTION 1: Z-II00



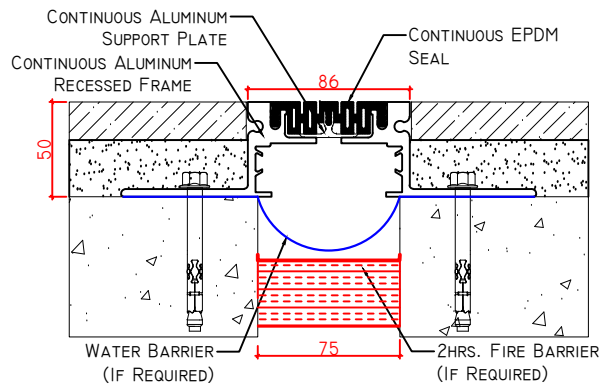
OPTION 2: Z-II00 + WATER BARRIER



OPTION 3: Z-II00 + FIRE BARRIER



OPTION 4: Z-II00 + WATER BARRIER + FIRE BARRIER



SKU	NAME	JOINT WIDTH, JW(MM)	HEIGHT, H(MM)	SIGHTLINE, S(MM)	MOVEMENT CAPACITY %	LOAD CAPACITY (KN)
ZII00755086	Z-II00-75	75	50	86	±24	20



GENOTEK

PRODUCT TYPE: EXPANSION JOINT COVER

APPLICATION: FLOOR TO FLOOR CONDITION

APPROVED BY CLIENT: