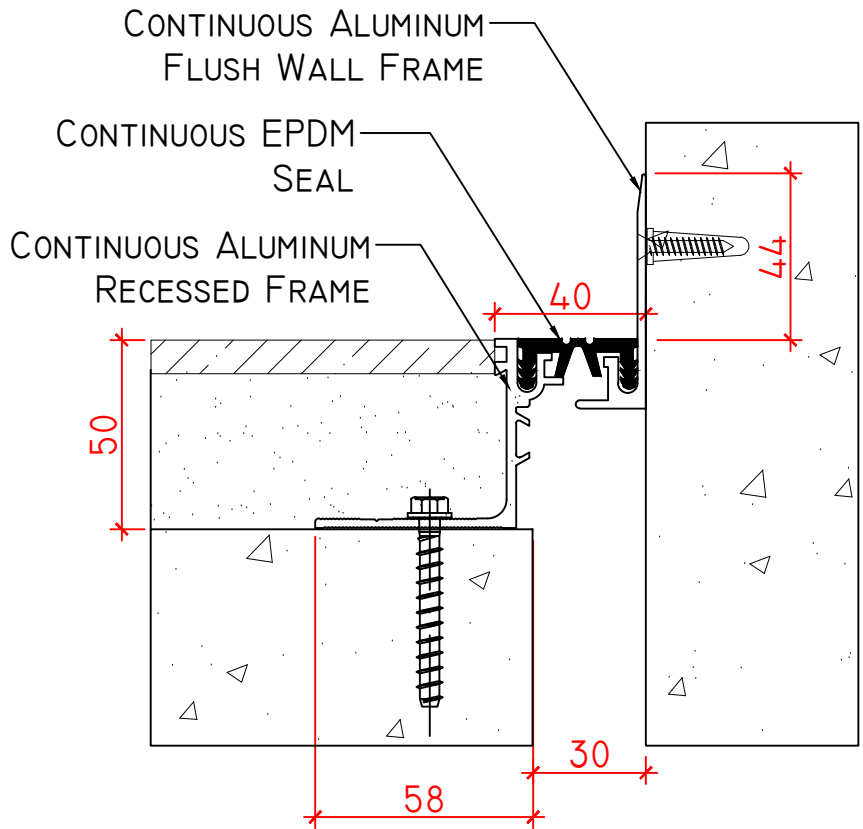
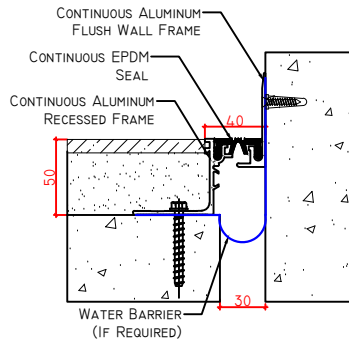


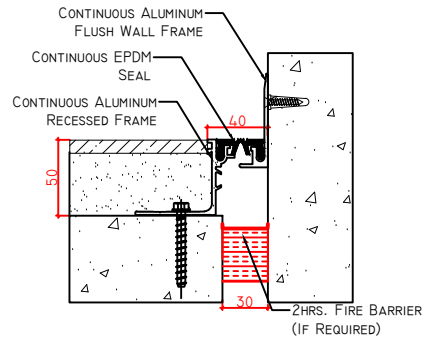
OPTION 1: ZK-II00



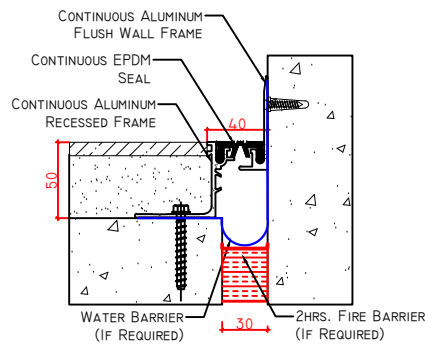
OPTION 2: ZK-II00 + WATER BARRIER



OPTION 3: ZK-II00 + FIRE BARRIER



OPTION 4: ZK-II00 + WATER BARRIER + FIRE BARRIER



SKU	NAME	JOINT WIDTH, JW(MM)	HEIGHT, H(MM)	SIGHTLINE, S(MM)	MOVEMENT CAPACITY %	LOAD CAPACITY (KN)
ZKII00305040	ZK-II00-30	30	50	40	±20	30



PRODUCT TYPE: EXPANSION JOINT COVER

APPLICATION: FLOOR TO WALL CONDITION

APPROVED BY CLIENT: