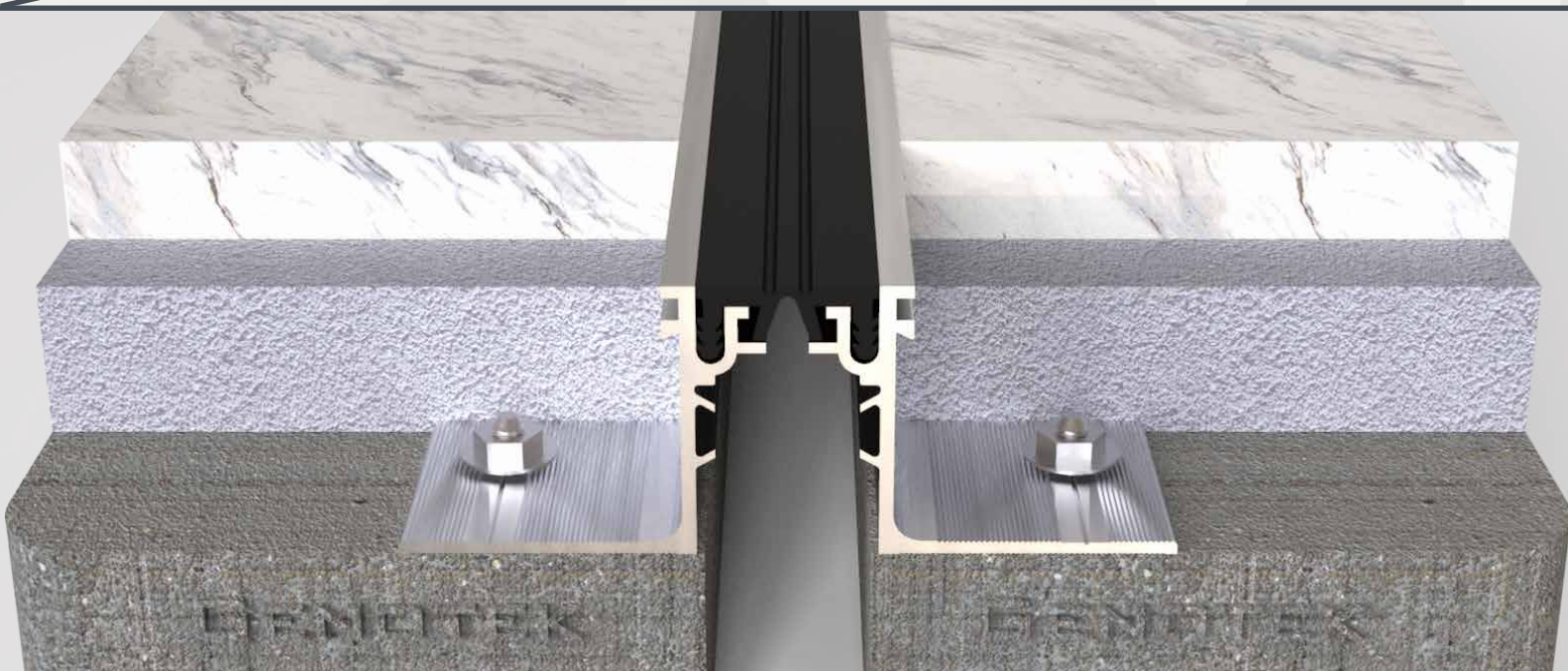




Z-1100 & ZK-1100 THERMAL RECESSED MODULAR FLOOR SYSTEMS



PRODUCT DESCRIPTION

The Z - 1100 Expansion Joint Cover is an ideal Cover for Floor to Floor applications.

The Series is suitable for Areas where Thermal Movements are expected.

The components of the Z - 1100 cover are:

- Extruded Aluminium Support Profiles.
- Elastomeric Rubber Inserts which absorb the Expansion and Contraction in the Adjacent Concrete Slabs.

The Z - 1100 is an Aluminium + Rubber Expansion Joint Cover Profile. The Elastomeric Rubber Insert of the profile comes in four standard colours.

The Elastomeric Rubber Insert can also be provided in a Smooth, Easy to Clean Finish in order to ensure a Hygienic Seal by eliminating the possibility of dirt, dust and water accumulation.

The Aluminium Support Profiles can be modified by providing with Stainless Steel or Brass Cappings or the entire Visible Surface of the Profile can be covered with Stainless Steel plates.

This helps in maintaining the Aesthetics between the profile and its Adjacent Finishes.

RECOMMENDED FOR

- Interior areas with small joint sizes where minimal sightline is preferred.
- Areas where Thermal Movement is expected.
- Areas where Low Foot Traffic is expected.

TECHNICAL DATA

Support profiles

The Aluminium support profiles are extruded using one of the multiple Aluminium Alloys and Tempers.

The selection of the Aluminium grade depends on the use case of the Profile.

Aluminium grade AA 6063 is the preferred choice for most profiles.

Elastomeric Rubber Inserts

Material	Thermoplastic Elastomer, Ethylene Propylene Diene Monomer or Santoprene (TPV)
Hardness	60 - 70 ShoreA (ASTM D 2240)
Finish	Grooved Finish. Smooth Finish Inserts can be provided in areas where Hygiene is of importance
Colours	Black, Beige, Grey and White



Z-1100 & ZK-1100 THERMAL RECESSED MODULAR FLOOR SYSTEMS

Optional: Vapour Barrier

Material	Ethylene Propylene Diene Monomer
Color	Black
Tensile Strength	1431 psi - ASTM D 412
Tear Resistance (lbf/in.)	204 - ASTM D 624
Puncture Resistance (lbf)	60 at 4.49" - ASTM E 154

STORAGE & HANDLING

ALUMINIUM

• Transportation

Aluminium can be damaged during transport and constitutes in the form of scratches and wear marks that can lead to subsequent interfacial corrosion. Such damage prevents satisfactory surface treatment of the profiles.

The appearance of Aluminium is affected by minor transportation damages to the surface of the material but mechanical properties of the metal, however, remain unaffected.

To prevent such damage to the material, it is important for the Aluminium profiles to be packaged in strong paper, plastic or bubble wrap during any moving and transportation to prevent individual profile surfaces from bumping against each other thus causing scratches.

• Storage

It is important to note that Aluminium gets easily affected by water and moisture.

Aluminium alloys with higher magnesium content are sensitive to water and condensation, whereas purer alloys have greater resistance to the same.

Moisture damage to Aluminium appears as white patches/spots or dark discolouration marks and can be observed in the event if water or condensation is trapped between Aluminium profile stacked upon or lying very close to each other.

Rubber

• Storage

The storage temperature must remain below 25°C.

There should be no direct heat sources in the storage area.

The seals should not be exposed to direct sunlight.

The seals must be protected from the effects of ozone and ionizing radiation.

The seals must be stored so as to avoid their being under tensile stress.

SUBSTRATE REQUIREMENT & PREPARATION

- The surface must have enough clearance from the reinforcement to provide enough space for the anchor.
- The surface must be level to avoid gaps.
- The gap must be uniform and in a straight line.

INSTALLATION

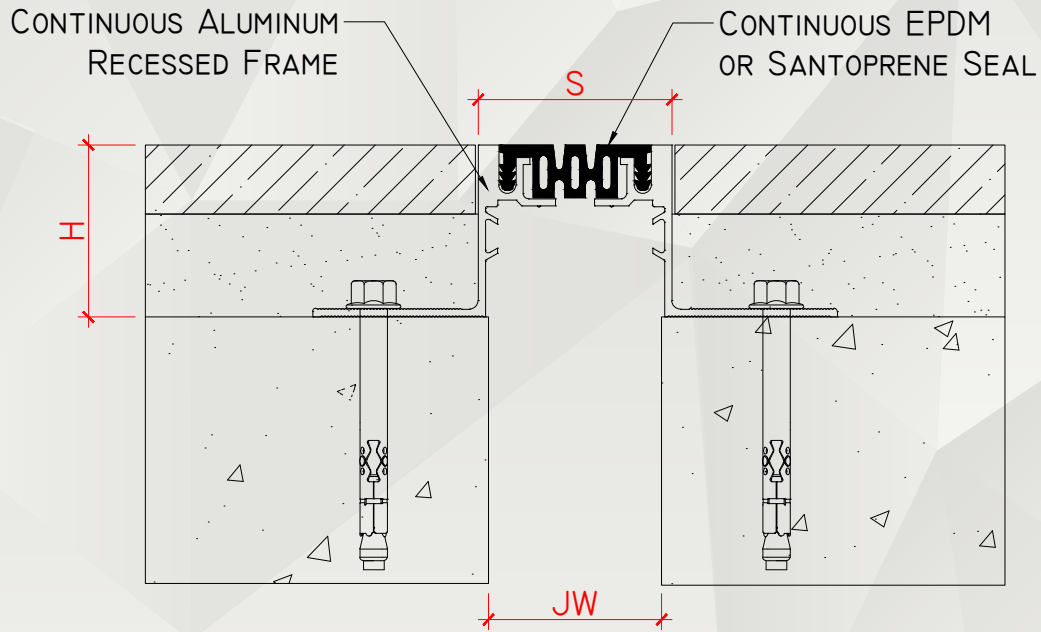
Kindly refer to the detailed GENOTEK Installation Instructions or contact your nearest GENOTEK Technical Centre for the same.

PACKAGING

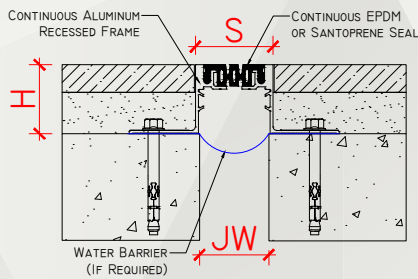
- Aluminium Support Profile: Standard Supply Length of 3.00 LM per piece.
- Elastomeric Rubber Insert: Standard Supply Length of 25.00 LM per roll.
- Moisture Barrier: Variable Length as per requirement.
- Accessories: Original Manufacturer Packing.



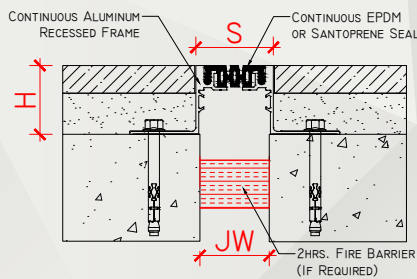
Z-1100 & ZK-1100 THERMAL RECESSED MODULAR FLOOR SYSTEMS



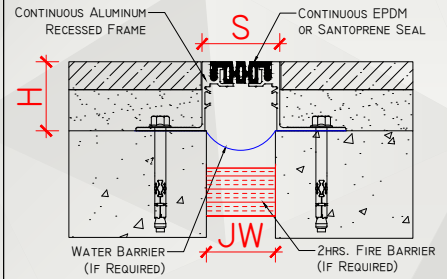
OPTIONAL: WITH WATER BARRIER



OPTIONAL: WITH FIRE BARRIER



OPTIONAL: WATER BARRIER & FIRE BARRIER



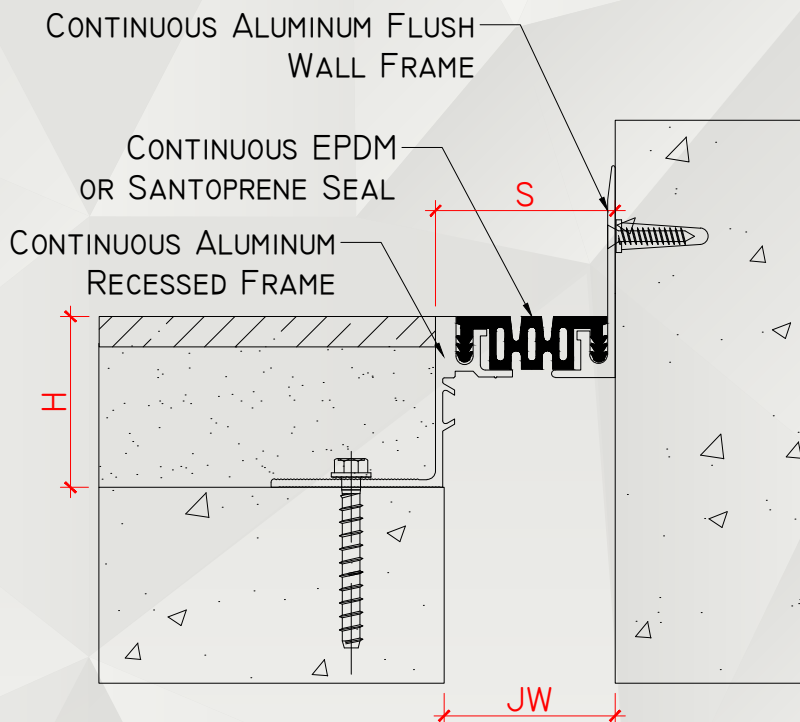
<input checked="" type="checkbox"/>	SKU	NAME	JOINT WIDTH, JW (MM)	HEIGHT, H (MM)	SIGHTLINE, S (MM)	MOVEMENT CAPACITY (%)	LOAD CAPACITY (KN)
<input type="checkbox"/>	Z1100303530	Z-1100-30	30	35	30	±20	30
<input type="checkbox"/>	Z1100305044	Z-1100-30	30	50	44	±20	30
<input type="checkbox"/>	Z1100503556	Z-1100-50	50	35	56	±24	20
<input type="checkbox"/>	Z1100505056	Z-1100-50	50	50	56	±24	20
<input type="checkbox"/>	Z1100753586	Z-1100-75	50	35	86	±50	10
<input type="checkbox"/>	Z1100755086	Z-1100-75	50	50	86	±50	10
<input type="checkbox"/>	Z1100753586	Z-1100-75	75	35	86	±24	20
<input type="checkbox"/>	Z1100755086	Z-1100-75	75	50	86	±24	20
<input type="checkbox"/>	Z110010035106	Z-1100-100	100	35	106	±24	20
<input type="checkbox"/>	Z110010050106	Z-1100-100	100	50	106	±24	20

NOTE: 1. THE ABOVE DRAWINGS ARE FOR ILLUSTRATION ONLY, PLEASE SEE THE SYSTEM DRAWING OF THE PROFILE FOR THE SECTION DETAILS AS SPECIFICATION MAY VARY.

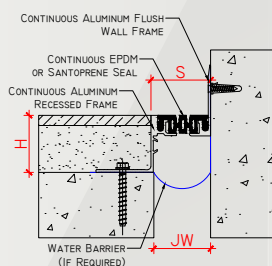
2. THE ABOVE SIZES ARE FOR REFERENCE, ADDITIONAL SIZES MAY BE AVAILABLE AND / OR CUSTOMIZED. KINDLY CONTACT GENOTEK TECHNICAL SUPPORT FOR MORE INFORMATION.



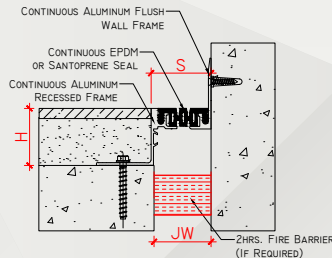
Z-1100 & ZK-1100 THERMAL RECESSED MODULAR FLOOR SYSTEMS



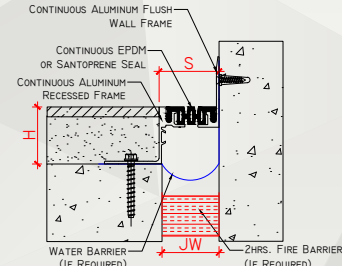
OPTIONAL: WITH WATER BARRIER



OPTIONAL: WITH FIRE BARRIER



OPTIONAL: WATER BARRIER & FIRE BARRIER



<input checked="" type="checkbox"/>	SKU	NAME	JOINT WIDTH, JW (MM)	HEIGHT, H (MM)	SIGHTLINE, S (MM)	MOVEMENT CAPACITY (%)	LOAD CAPACITY (KN)
<input type="checkbox"/>	ZK1100303530	ZK-1100-30	30	35	30	±20	30
<input type="checkbox"/>	ZK1100305040	ZK-1100-30	30	50	40	±20	30
<input type="checkbox"/>	ZK1100503552	ZK-1100-50	50	35	52	±24	20
<input type="checkbox"/>	ZK1100505052	ZK-1100-50	50	50	52	±24	20
<input type="checkbox"/>	ZK1100753582	ZK-1100-75	50	35	82	±50	10
<input type="checkbox"/>	ZK1100755082	ZK-1100-75	50	50	82	±50	10
<input type="checkbox"/>	ZK1100753582	ZK-1100-75	75	35	82	±24	20
<input type="checkbox"/>	ZK1100755082	ZK-1100-75	75	50	82	±24	20
<input type="checkbox"/>	ZK110010035104	ZK-1100-100	100	35	104	±24	20
<input type="checkbox"/>	ZK110010050104	ZK-1100-100	100	50	104	±24	20

NOTE: 1. THE ABOVE DRAWINGS ARE FOR ILLUSTRATION ONLY, PLEASE SEE THE SYSTEM DRAWING OF THE PROFILE FOR THE SECTION DETAILS AS SPECIFICATION MAY VARY.

2. THE ABOVE SIZES ARE FOR REFERENCE, ADDITIONAL SIZES MAY BE AVAILABLE AND / OR CUSTOMIZED. KINDLY CONTACT GENOTEK TECHNICAL SUPPORT FOR MORE INFORMATION.