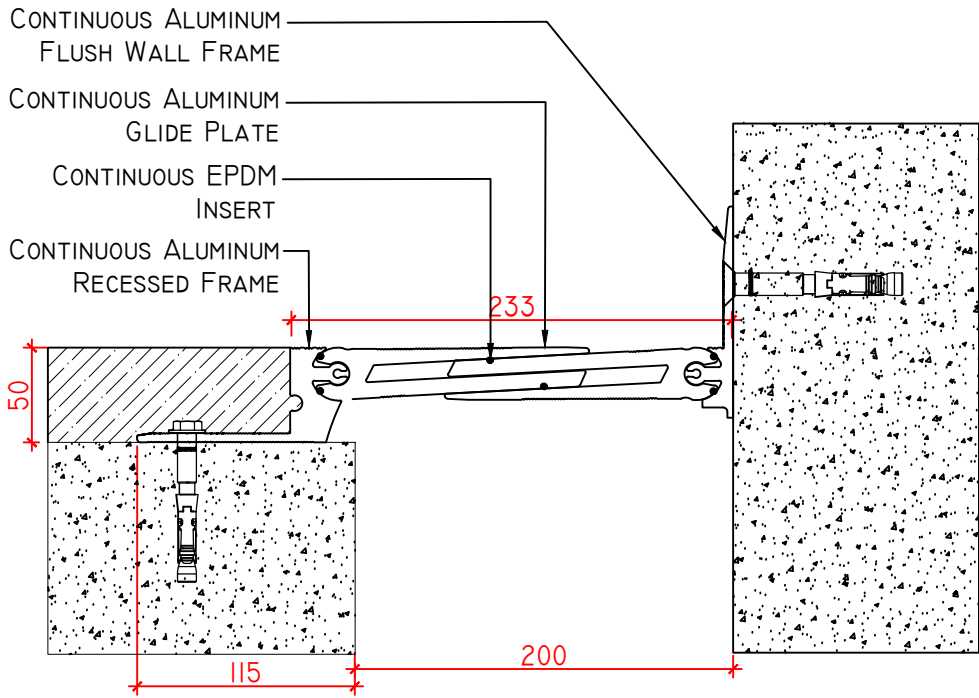
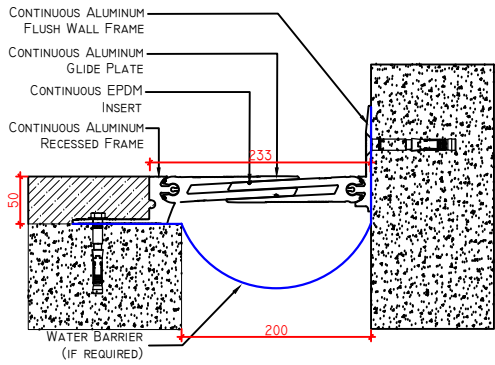


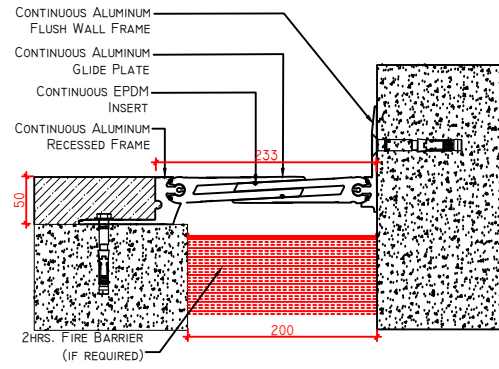
OPTION 1: ZK-I670



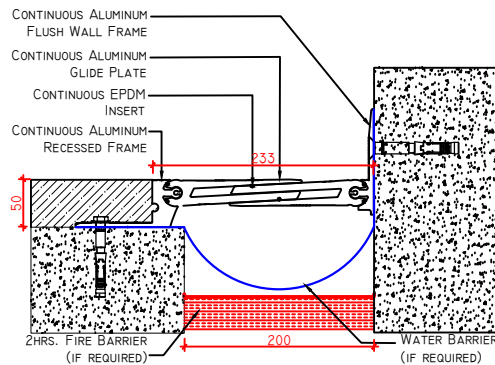
OPTION 2: ZK-I670 + WATER BARRIER



OPTION 3: ZK-I670 + FIRE BARRIER



OPTION 4: ZK-I670 + WATER BARRIER + FIRE BARRIER



SKU	NAME	JOINT WIDTH, JW(MM)	HEIGHT, H(MM)	SIGHTLINE, S(MM)	MOVEMENT CAPACITY %	LOAD CAPACITY (KN)
ZKI67020050233	ZK-I670-200	200	50	233	±20	35



PRODUCT TYPE: EXPANSION JOINT COVER

APPLICATION: FLOOR TO WALL CONDITION

APPROVED BY CLIENT: