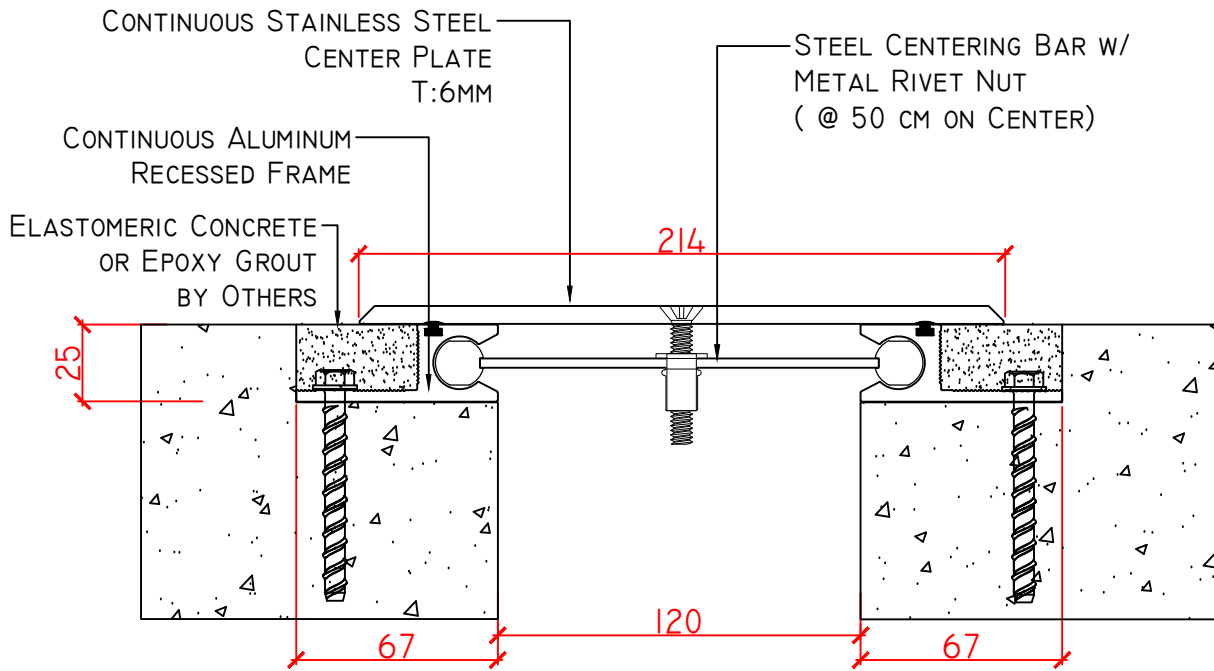
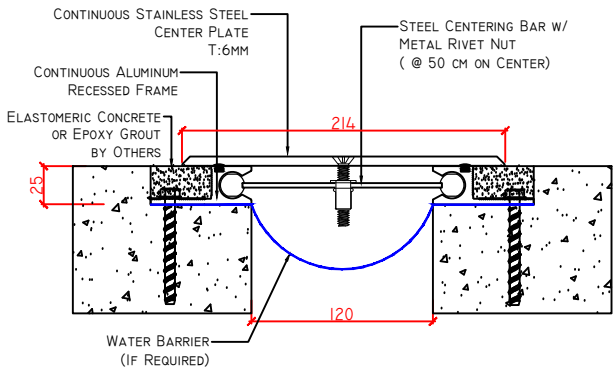


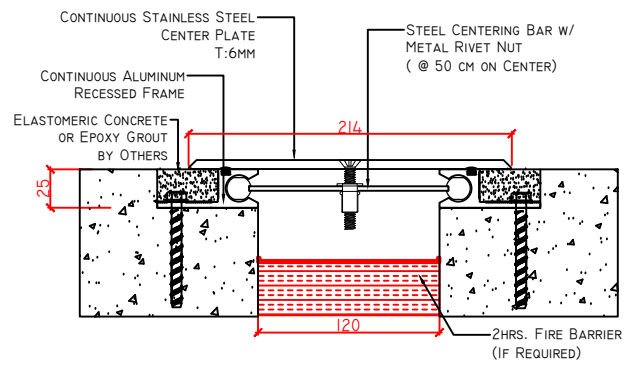
OPTION 1: Z-4050



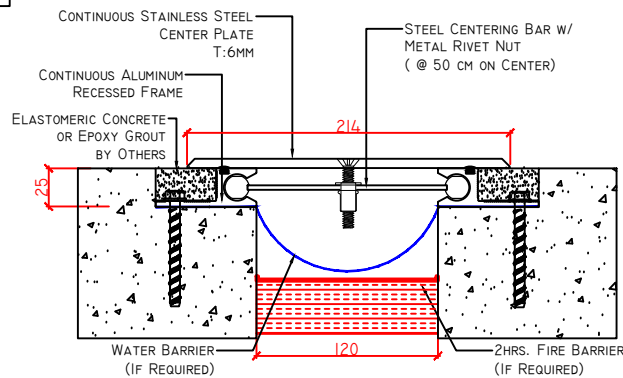
OPTION 2: Z-4050 + WATER BARRIER



OPTION 3: Z-4050 + FIRE BARRIER



OPTION 4: Z-4050 + WATER BARRIER + FIRE BARRIER



SKU	NAME	JOINT WIDTH, JW(MM)	HEIGHT, H(MM)	SIGHTLINE, S(MM)	MOVEMENT CAPACITY %	LOAD CAPACITY (KN)
Z4050I20252I4T6SS	Z-4050-120	120	25/T:6	214	±50	120



PRODUCT TYPE: EXPANSION JOINT COVER
APPLICATION: FLOOR TO FLOOR CONDITION
APPROVED BY CLIENT: