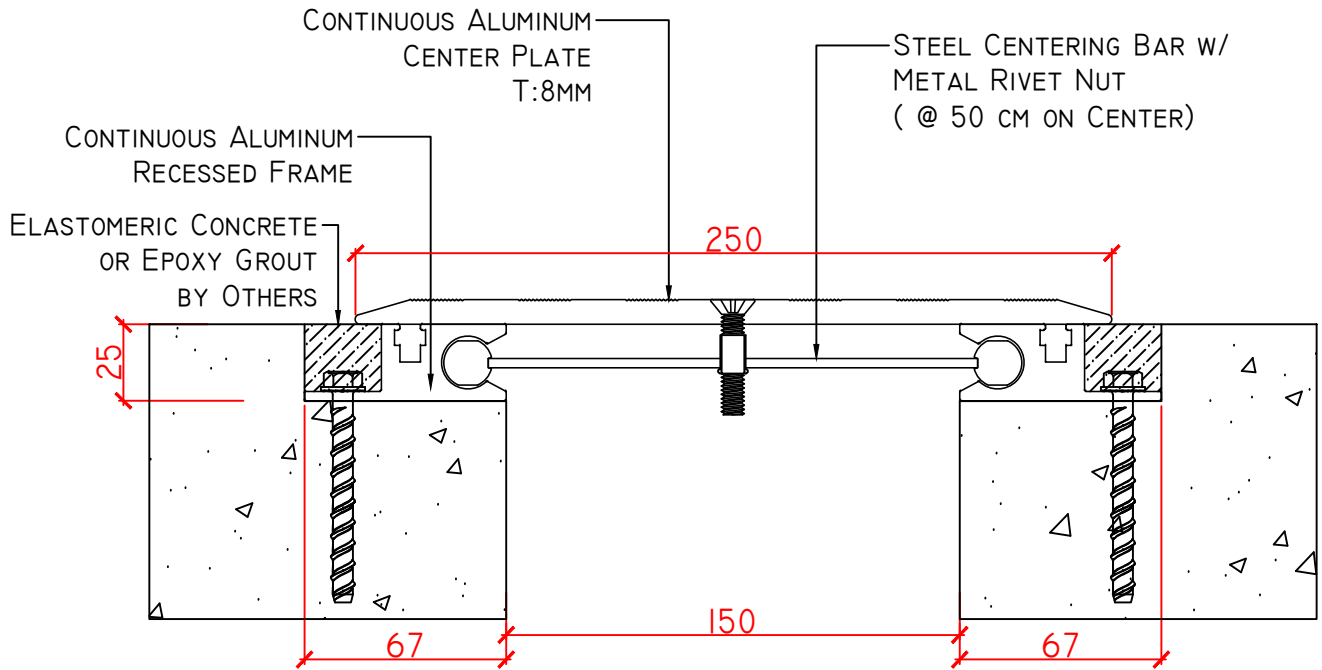
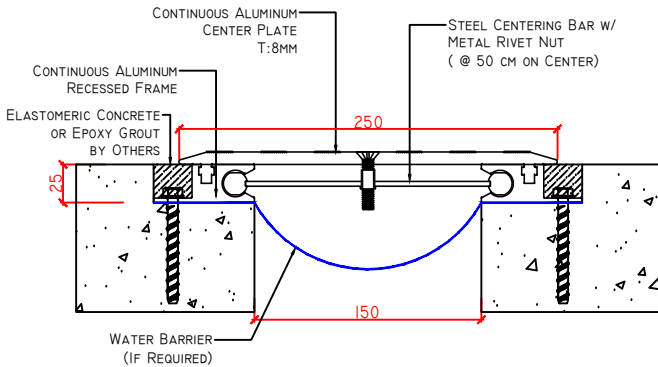


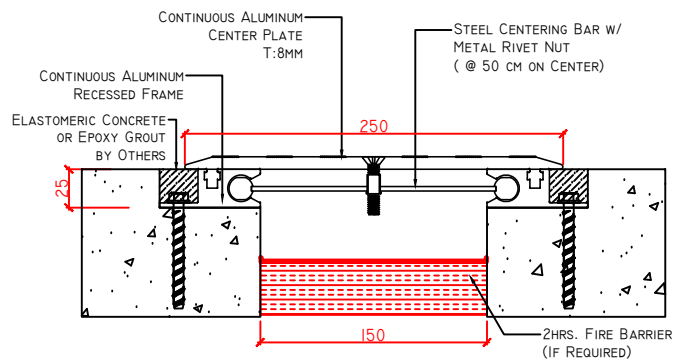
OPTION 1: Z-4050



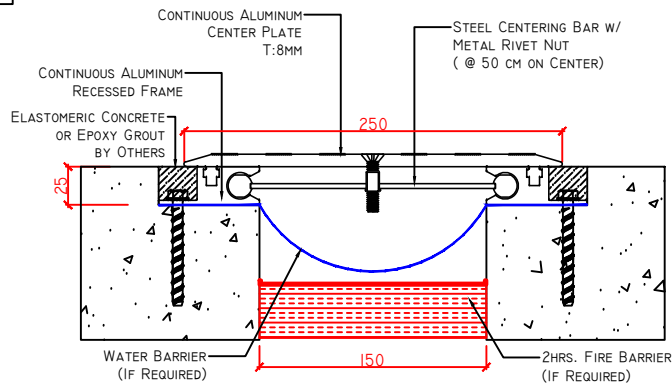
OPTION 2: Z-4050 + WATER BARRIER



OPTION 3: Z-4050 + FIRE BARRIER



OPTION 4: Z-4050 + WATER BARRIER + FIRE BARRIER



SKU	NAME	JOINT WIDTH, JW(MM)	HEIGHT, H(MM)	SIGHTLINE, S(MM)	MOVEMENT CAPACITY %	LOAD CAPACITY (KN)
Z4050I5025250T8	Z-4050-I50	150	25/T:8	250	±50	100



PRODUCT TYPE: EXPANSION JOINT COVER
APPLICATION: FLOOR TO FLOOR CONDITION
APPROVED BY CLIENT: