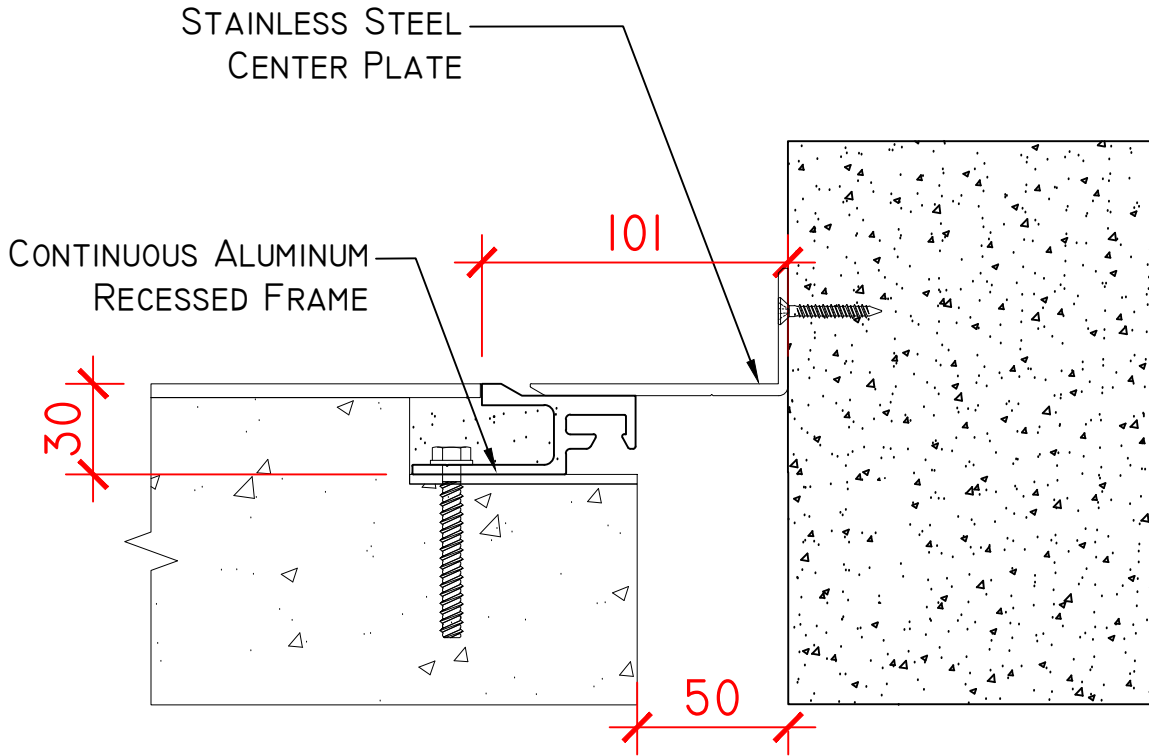
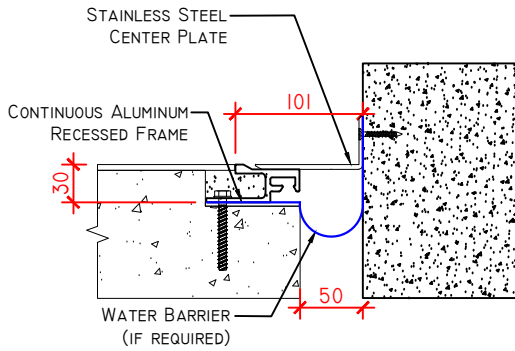


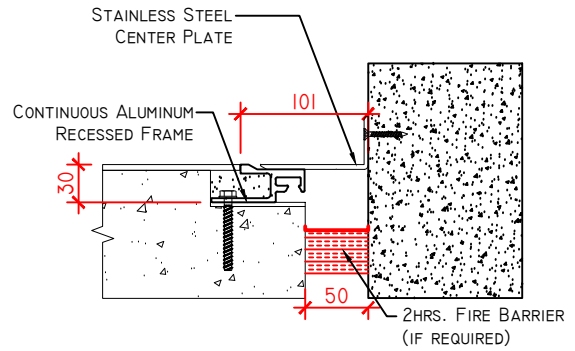
OPTION 1: ZK-4100



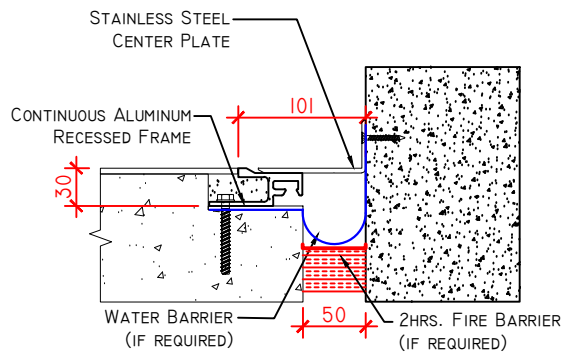
OPTION 2: ZK-4100 + WATER BARRIER



OPTION 3: ZK-4100 + FIRE BARRIER



OPTION 4: ZK-4100 + WATER BARRIER + FIRE BARRIER



SKU	NAME	JOINT WIDTH, JW(MM)	HEIGHT, H(MM)	SIGHTLINE, S(MM)	MOVEMENT CAPACITY %	LOAD CAPACITY (KN)
ZK4100503010ISS	ZK-4100-50SS	50	30	101	±50	35



PRODUCT TYPE: EXPANSION JOINT COVER

APPLICATION: FLOOR TO WALL CONDITION

APPROVED BY CLIENT: