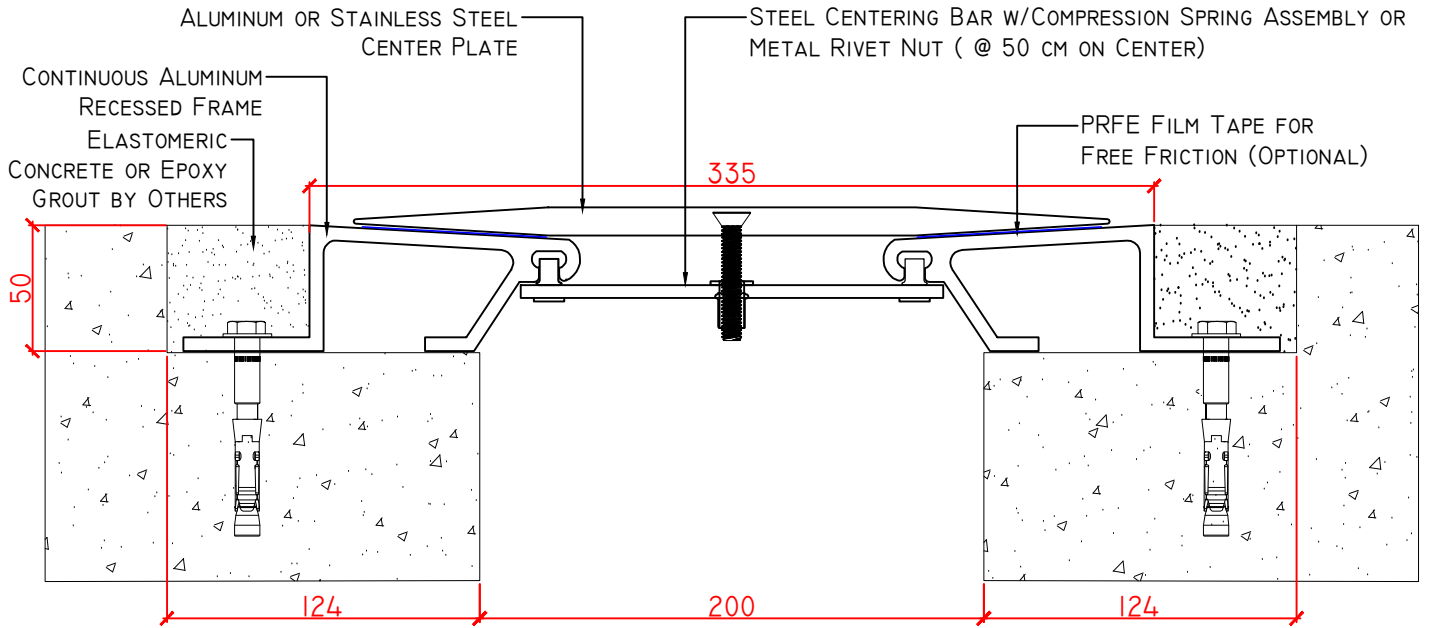
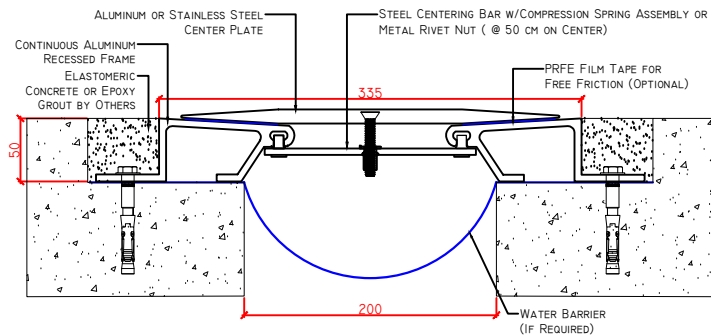


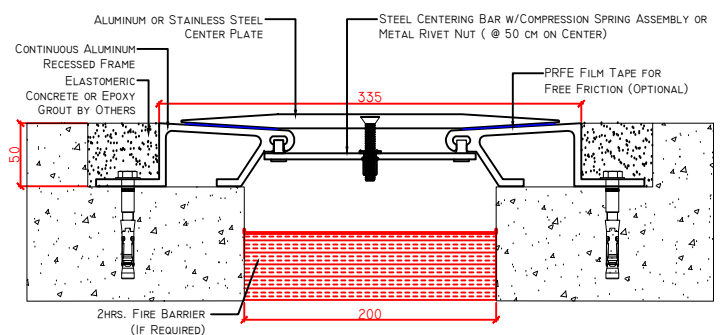
OPTION 1: Z-4100A



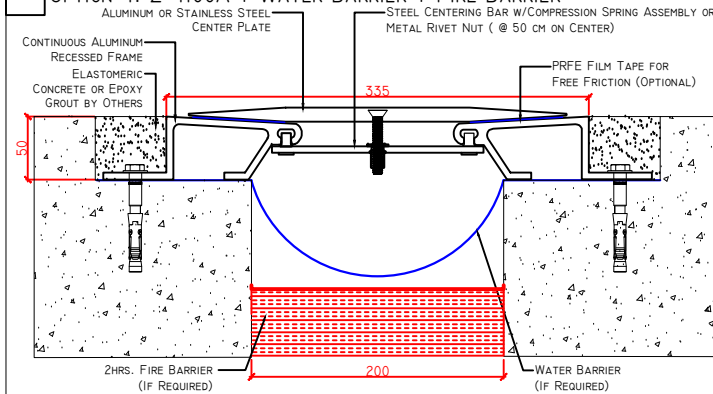
OPTION 2: Z-4100A + WATER BARRIER



OPTION 3: Z-4100A + FIRE BARRIER



OPTION 4: Z-4100A + WATER BARRIER + FIRE BARRIER



SKU	NAME	JOINT WIDTH, JW(MM)	HEIGHT, H(MM)	SIGHTLINE, S(MM)	MOVEMENT CAPACITY %	LOAD CAPACITY (KN)
Z4100A20050335	Z-4100A-200	200	50	335	±50	60



PRODUCT TYPE: EXPANSION JOINT COVER  
 APPLICATION: FLOOR TO FLOOR CONDITION  
 APPROVED BY CLIENT: