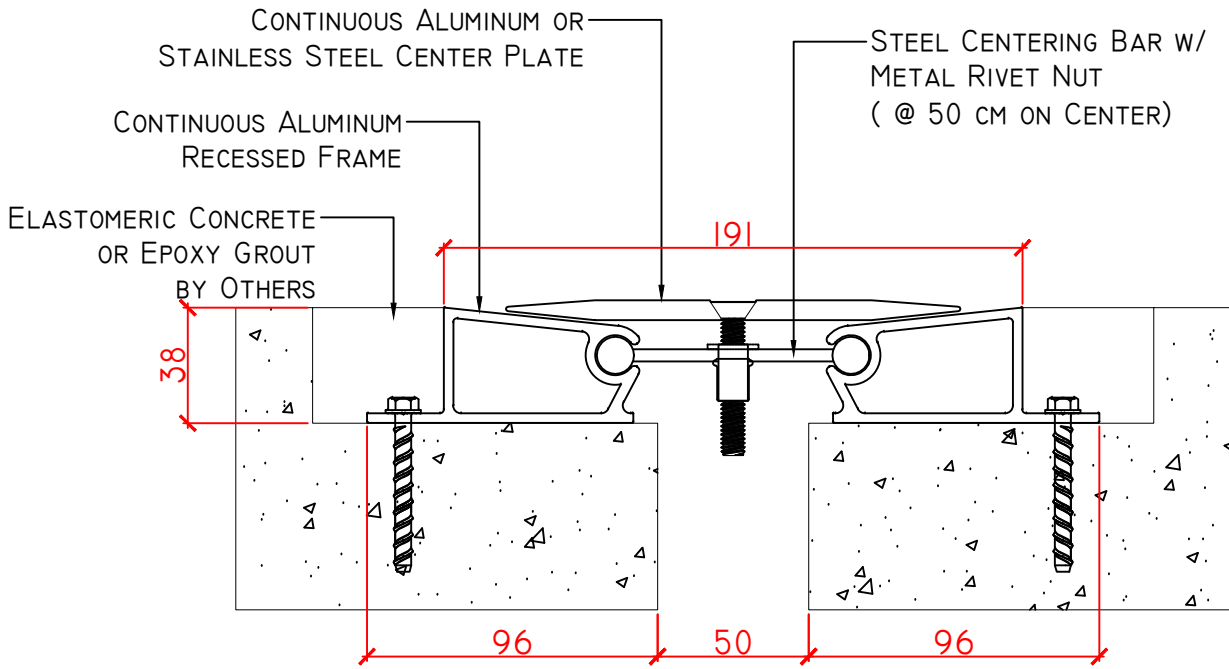
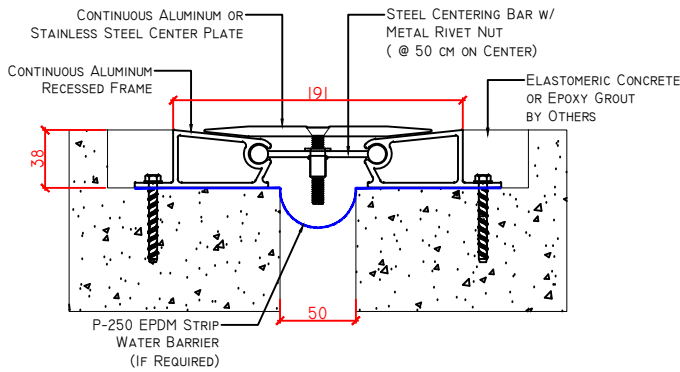


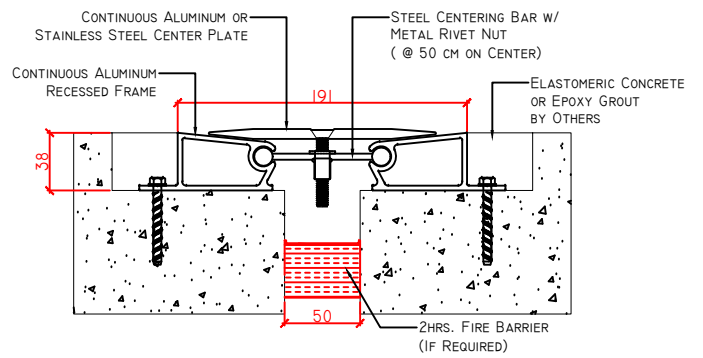
OPTION 1: Z-4100A



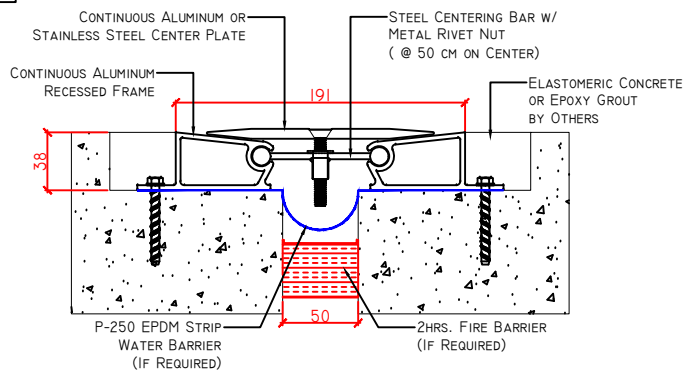
OPTION 2: Z-4100A + WATER BARRIER




OPTION 3: Z-4100A + FIRE BARRIER



OPTION 4: Z-4100A + WATER BARRIER + FIRE BARRIER



SKU	NAME	JOINT WIDTH, JW(MM)	HEIGHT, H(MM)	SIGHTLINE, S(MM)	MOVEMENT CAPACITY %	LOAD CAPACITY (KN)
Z4100A5038191	Z-4100A-50	40-60	38	191	±50	90

 <p><b>GENOTEK</b></p>	<p><b>PRODUCT TYPE:</b> EXPANSION JOINT COVER</p>
	<p><b>APPLICATION:</b> FLOOR TO FLOOR CONDITION</p>
	<p><b>APPROVED BY CLIENT:</b></p>