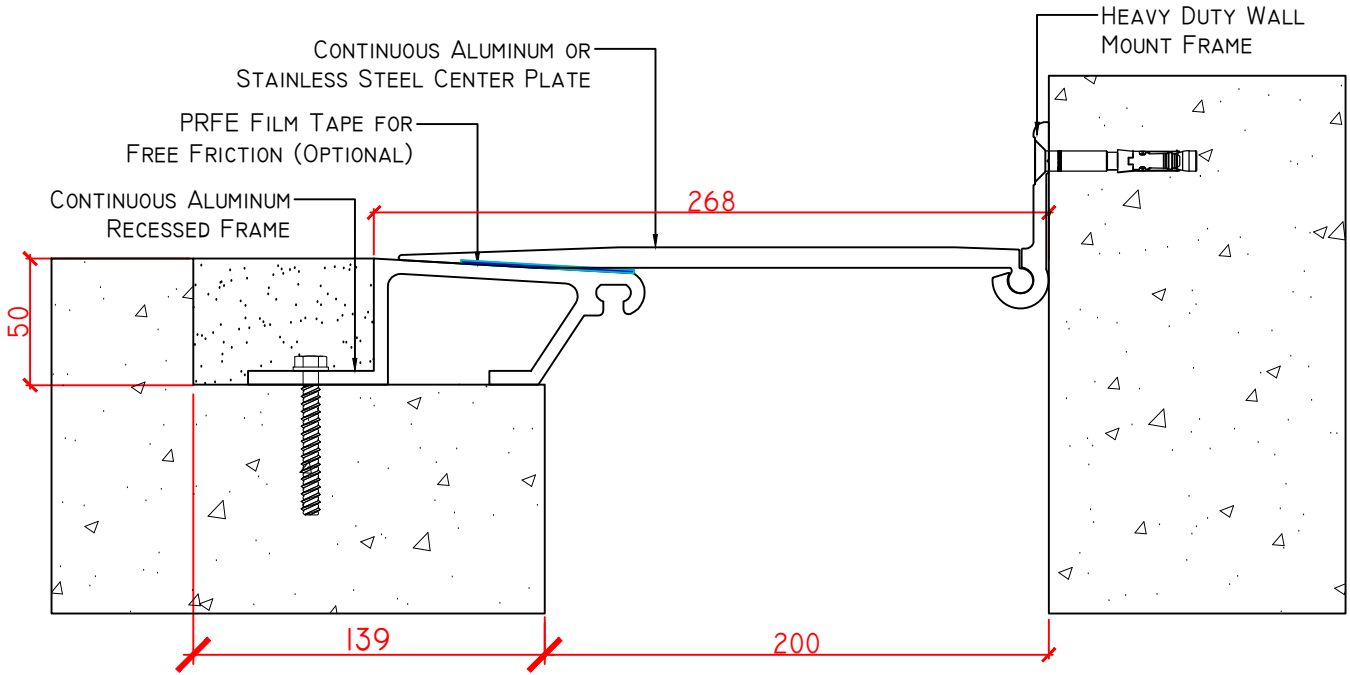
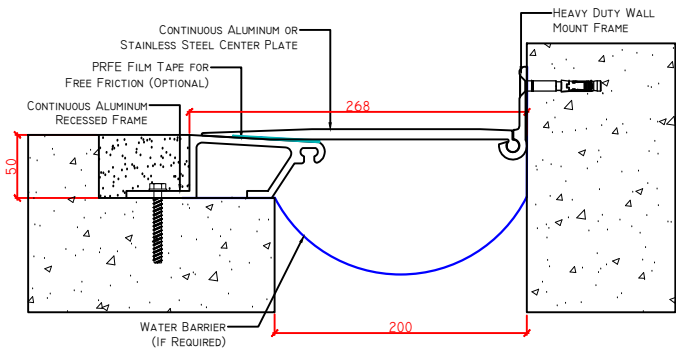


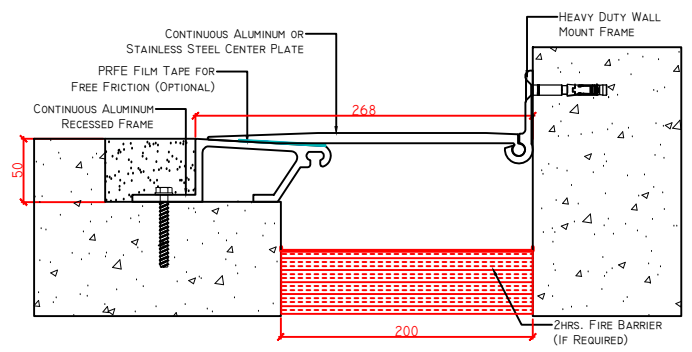
OPTION 1: ZK-4100A



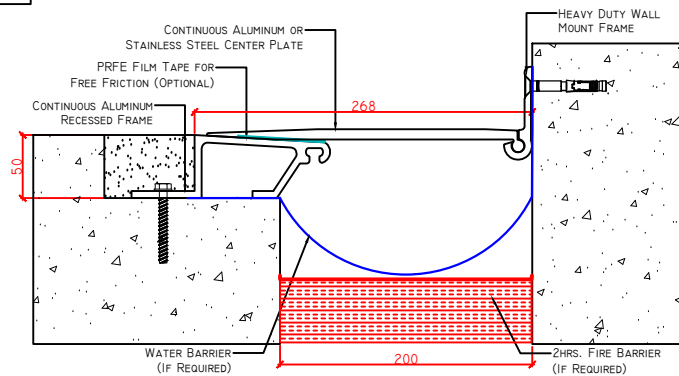
OPTION 2: ZK-4100A + WATER BARRIER



OPTION 3: ZK-4100A + FIRE BARRIER



OPTION 4: ZK-4100A + WATER BARRIER + FIRE BARRIER



SKU	NAME	JOINT WIDTH, JW(MM)	HEIGHT, H(MM)	SIGHTLINE, S(MM)	MOVEMENT CAPACITY %	LOAD CAPACITY (KN)
ZK4100A20050268	ZK-4100A-200	200	50	268	±50	60

**PRODUCT TYPE:** EXPANSION JOINT COVER

**APPLICATION:** FLOOR TO WALL CONDITION

**APPROVED BY CLIENT:**