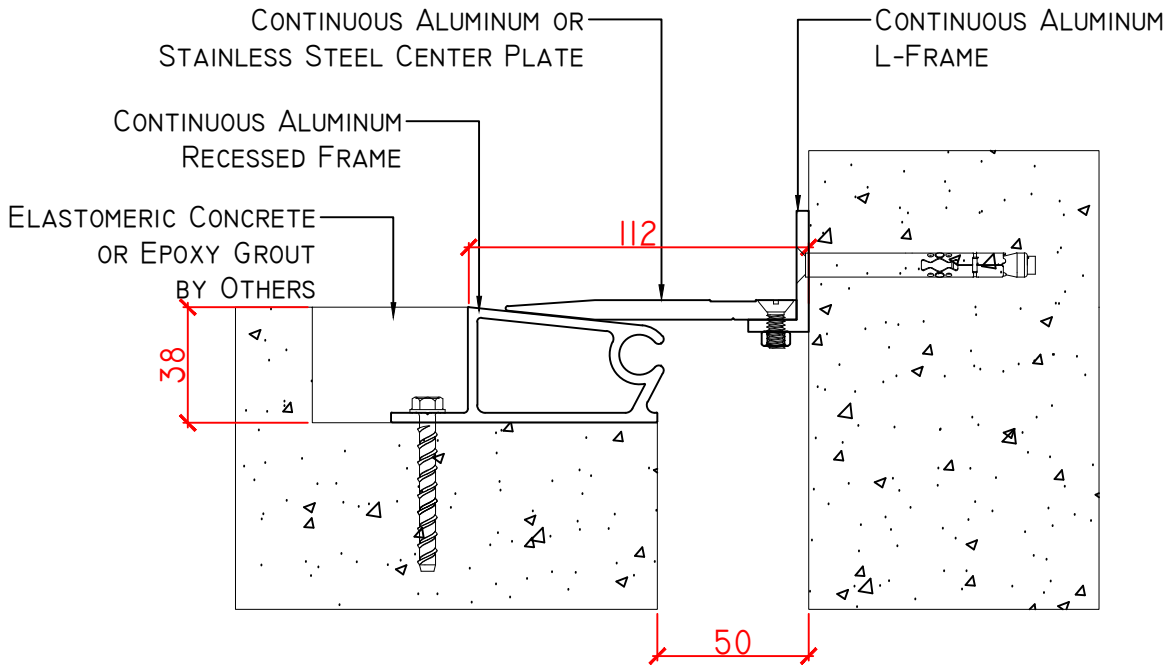
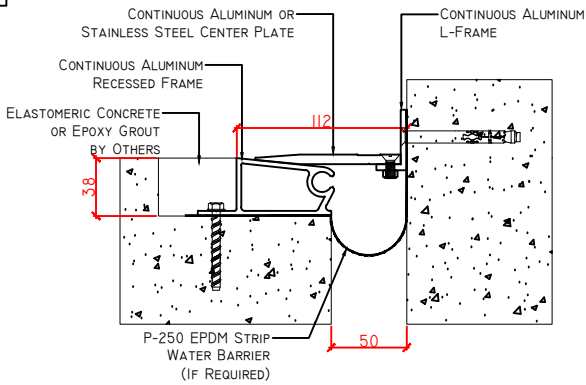


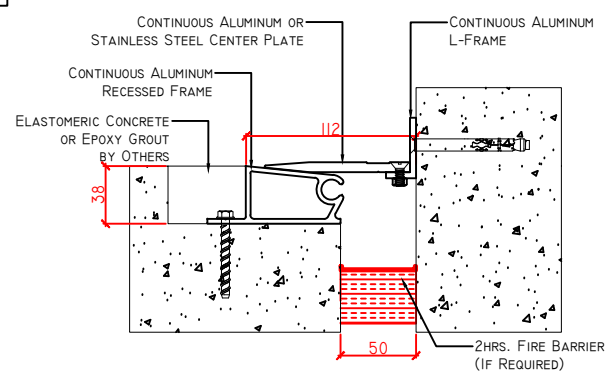
OPTION 1: ZK-4100A



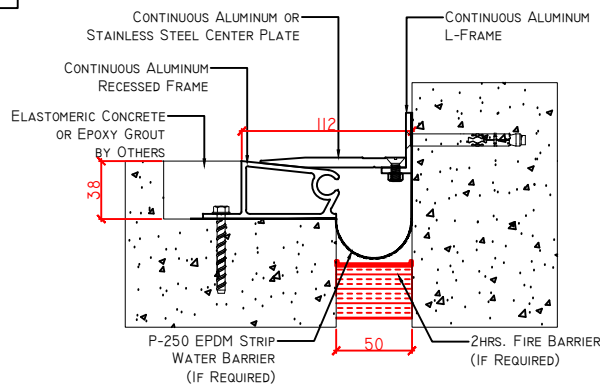
OPTION 2: ZK-4100A + WATER BARRIER



OPTION 3: ZK-4100A + FIRE BARRIER



OPTION 4: ZK-4100A + WATER BARRIER + FIRE BARRIER



| SKU             | NAME        | JOINT WIDTH, JW(MM) | HEIGHT, H(MM) | SIGHTLINE, S(MM) | MOVEMENT CAPACITY % | LOAD CAPACITY (KN) |
|-----------------|-------------|---------------------|---------------|------------------|---------------------|--------------------|
| ZK4100A5038112A | ZK-4100A-50 | 50                  | 38            | 112              | ±50                 | 90                 |



**PRODUCT TYPE:** EXPANSION JOINT COVER  
**APPLICATION:** FLOOR TO WALL CONDITION  
**APPROVED BY CLIENT:**