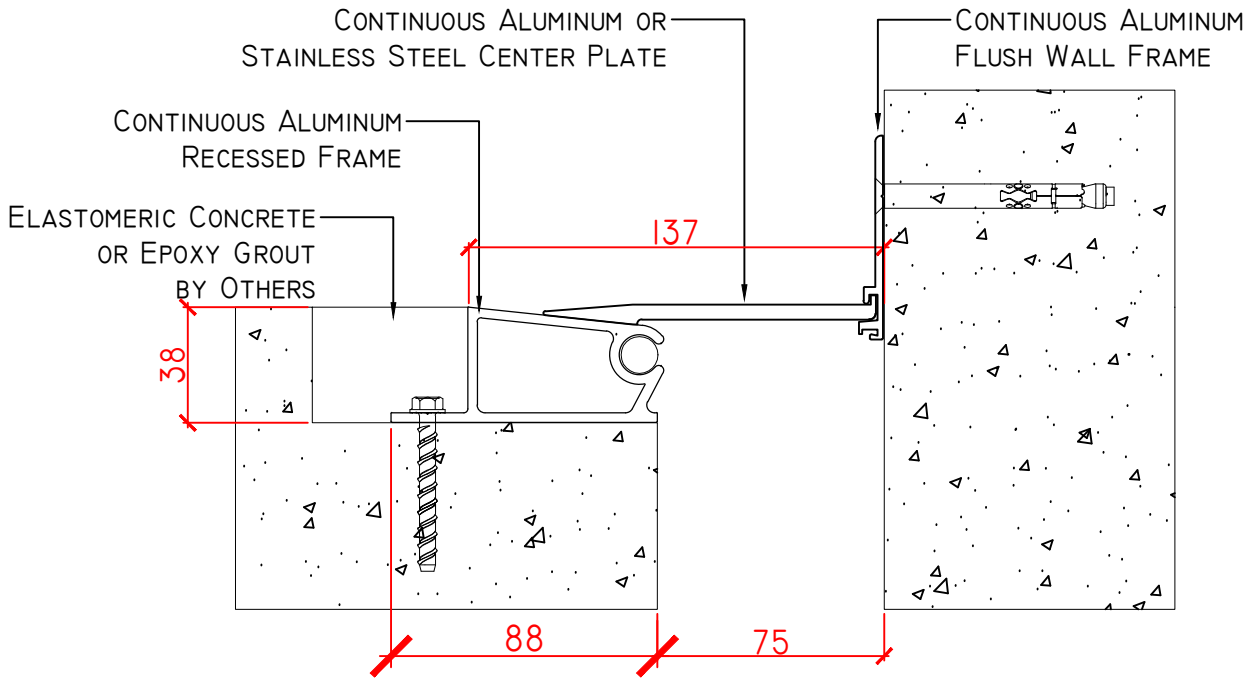
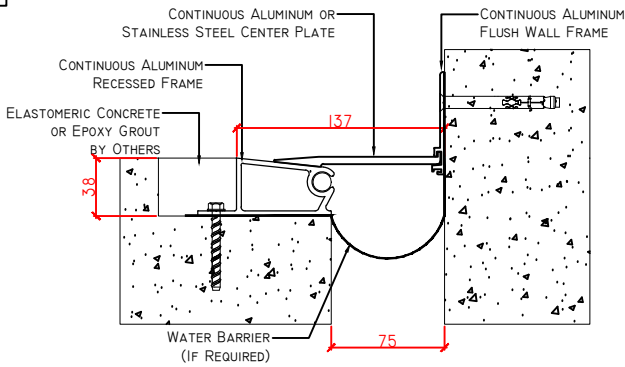


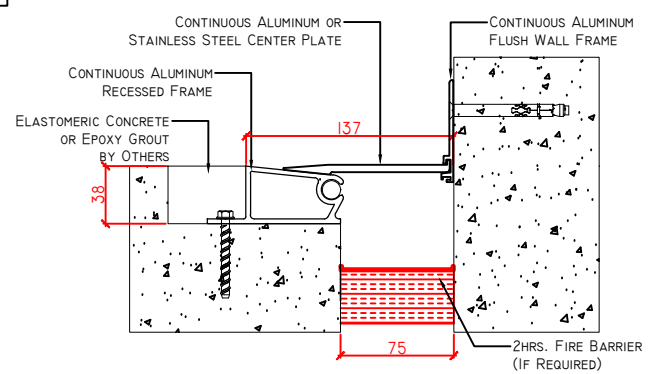
OPTION 1: ZK-4100A



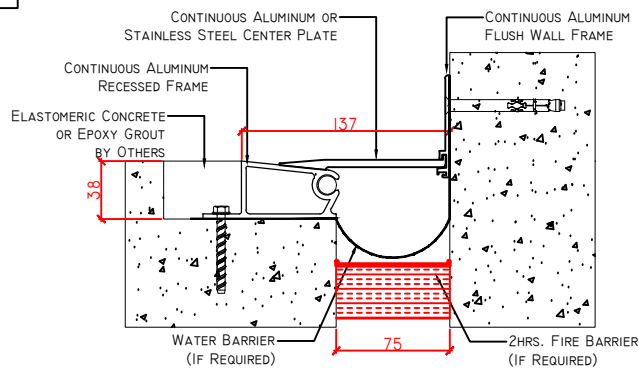
OPTION 2: ZK-4100A + WATER BARRIER




OPTION 3: ZK-4100A + FIRE BARRIER



OPTION 4: ZK-4100A + WATER BARRIER + FIRE BARRIER



SKU	NAME	JOINT WIDTH, JW(MM)	HEIGHT, H(MM)	SIGHTLINE, S(MM)	MOVEMENT CAPACITY %	LOAD CAPACITY (KN)
ZK4100A7538137	ZK-4100A-75	75	38	137	±50	90



PRODUCT TYPE: EXPANSION JOINT COVER

APPLICATION: FLOOR TO WALL CONDITION

APPROVED BY CLIENT: