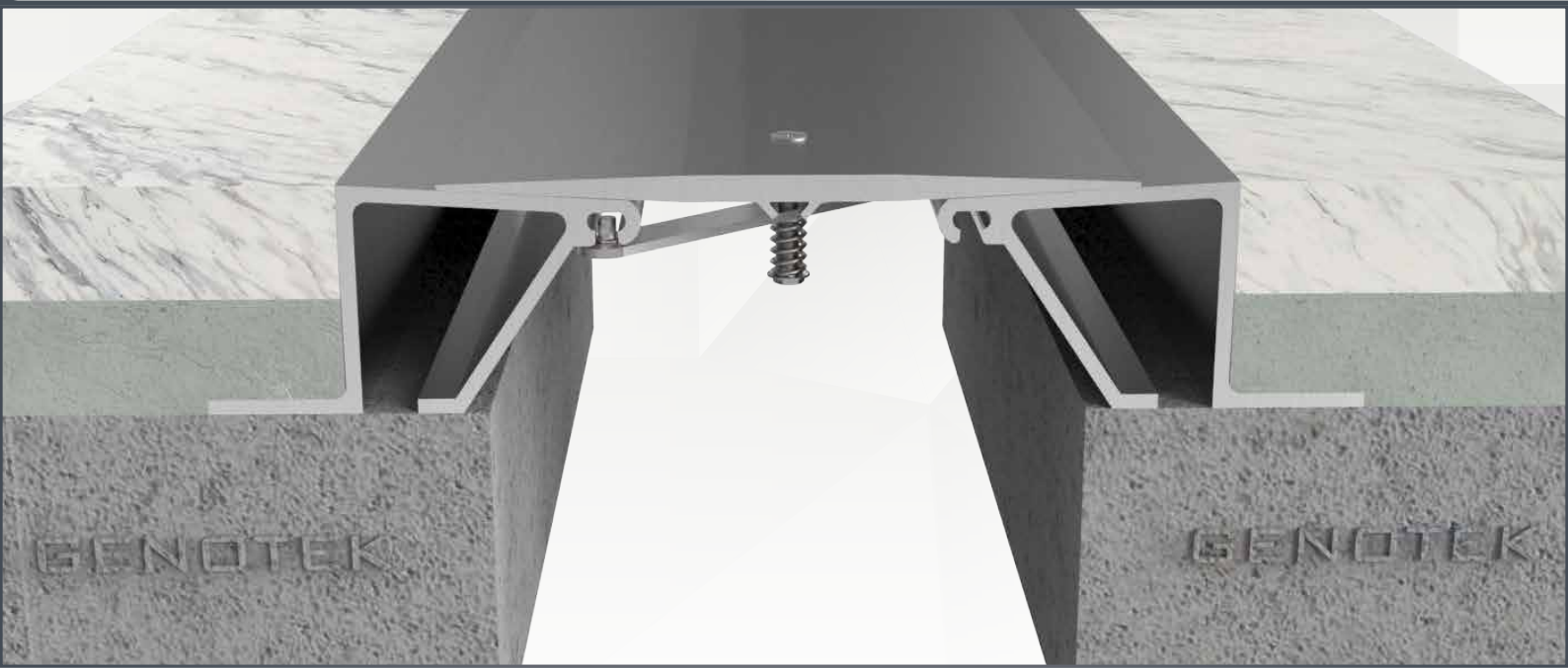




Z-4100A AND ZK-4100A FLOOR EXPANSION JOINT COVER



The following installation instructions are very important. Read them carefully, and be sure you understand them completely before you begin any work.

PREPARATION

1. Before beginning installation of the Z-4100A and ZK-4100A, review the layouts for the various types and location as detailed on the approved GENOTEK shop drawings.
2. The concrete base should be cured at least 7 days and repairing of all cracks and spalled areas in the blockout should be done prior to the installation of the expansion joint profile. The blockouts may be formed at the time of the initial concrete pour or at a later time by removing material from the slab.
3. The base of the blockout should be leveled, flatted and paralleled. The minimum width of the blockout and depth is shown in the blockout details table below. See figure 1 below for the blockout details;

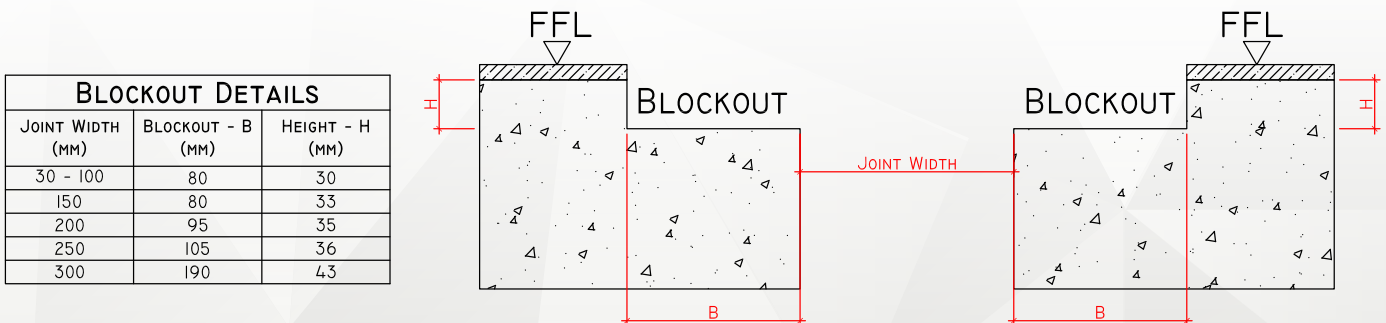


Figure 1.



Z-4100A AND ZK-4100A FLOOR EXPANSION JOINT COVER

INSTALLATION

1. Select one base member extrusion, and drill the anchor holes into it, spacing the holes a maximum of 40 cm. o.c. The anchor holes at the ends of the extrusion must be a maximum of 15 cm. from the end of the extrusion.
2. Drill the anchor holes in the corresponding opposite base member for floor-to-floor installations, using the same spacing for the holes as was used for the base member drilled in Step 1.
3. If fire barrier is specified, install it at this time. Refer to the appropriate fire barrier type installation instructions for additional instructions regarding the installation of the fire barrier.
4. If water barrier is specified, install it at this time. Refer to the appropriate water barrier type installation instructions for additional instructions regarding the installation of the water barrier.
5. Put one of the drilled base members into position in the blockout along the edge of the joint. Ensure that the base member is level, plumb, properly aligned, and flush with the finished floor. Using the base member as a template, mark the locations for the anchor holes in the concrete.
6. Remove the base member from the blockout, and drill the anchor holes into the concrete substrate at the locations marked in Step 5. (*NOTE: OBSERVE NORMAL SAFETY PRECAUTIONS WHEN DRILLING TO AVOID ALL UTILITIES AND RE-BAR. ENSURE THAT THE RESULTING DUST AND DEBRIS ARE CLEANED OUT OF THE BLOCKOUT.*)
7. Put the base member back into position in the blockout. Ensure that it is level, plumb, properly aligned and flush with the finished floor. Ensure that the anchor holes in the base member align with the anchor holes in the concrete.
8. Attach the base member to the concrete using the fasteners.
9. Repeat the procedures given in Step 5 through Step 8 for the opposite base member. Ensure that the base member is level, plumb, and properly aligned.
10. Repeat the procedures given in Step 1 through Step 9 until all base members have been installed.
11. Select a section of cover plate and the appropriate number of centering bars for the section of cover plate being installed. Each pre-drilled cover plate bolt hole requires (1) centering bar and (1) bolt. Select a centering bar and insert the pivot pin end of each turn-bar into the base member's track. Use the cover plate's pre-drilled bolt holes as a reference for positioning each centering bar. Repeat as necessary until all successive centering bars have been installed. Centering bars must be installed parallel to one another.



Z-4100A AND ZK-4100A FLOOR EXPANSION JOINT COVER

12. Attach the Cover Plate. **Floor-to-Floor Models**, select a section of cover plate and place it into position
13. for installation. Using the centering bar bolts provided, attach the cover plate to each centering bar. The centering bar bolts should be tightened by hand until snug. Do not over-tighten. **Floor-to-Wall Models**, select a section of cover plate for installation. If the cover plate's anchor holes were not drilled at the factory, mark and drill the anchor holes on the cover plate. Using the cover plate as a template, mark and drill the anchor holes on the wall. Fasten the cover plate to the wall using the factory provided anchors. Repeat as necessary for each successive section of cover plate.
14. If required, floor finish material is to be installed at this time. Install floor finish material in accordance with the instructions provided by the floor finish manufacturer.

