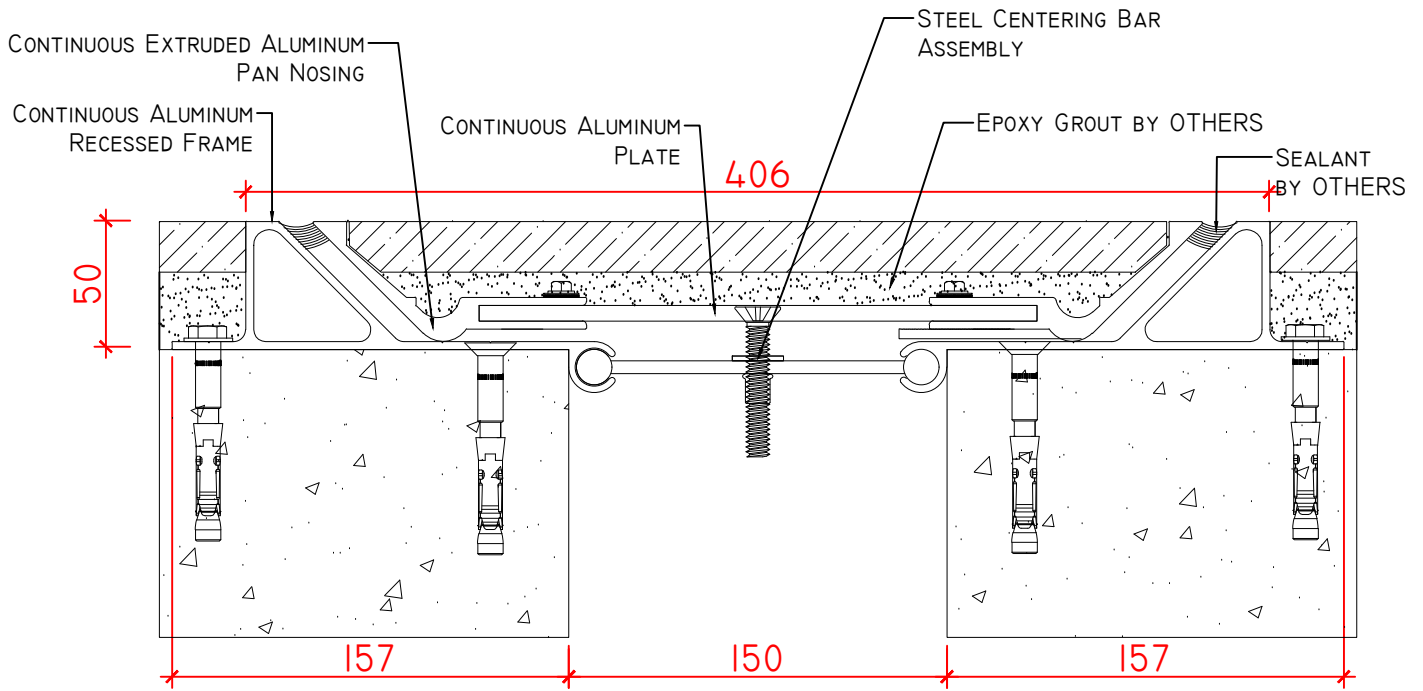
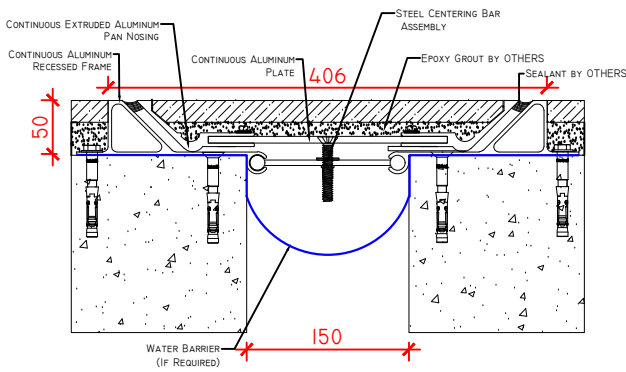


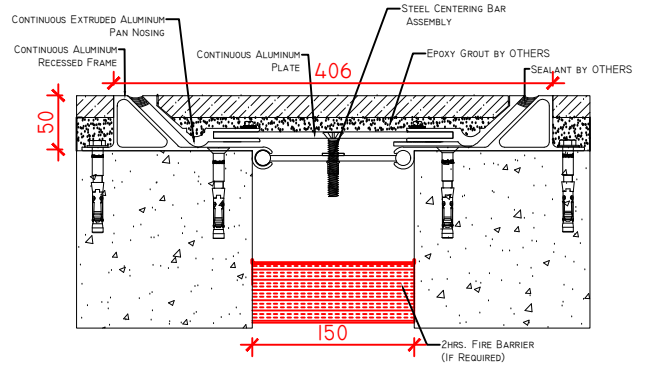
OPTION 1: Z-5001



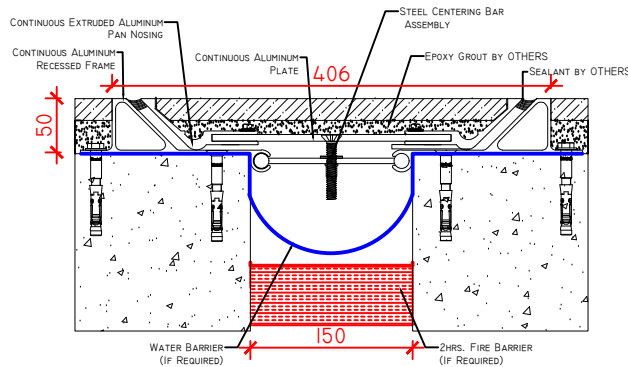
OPTION 2: Z-5001 + WATER BARRIER



OPTION 3: Z-5001 + FIRE BARRIER



OPTION 4: Z-5001 + WATER BARRIER + FIRE BARRIER



SKU	NAME	JOINT WIDTH, JW(MM)	HEIGHT, H(MM)	SIGHTLINE, S(MM)	MOVEMENT CAPACITY %	LOAD CAPACITY (KN)
Z500115050406	Z-5001-150	150	50	406	±50	10



**GENOTEK**

**PRODUCT TYPE:** EXPANSION JOINT COVER

**APPLICATION:** FLOOR TO FLOOR CONDITION

**APPROVED BY CLIENT:**