



## Z-5001 AND ZK-5001 FLOOR EXPANSION JOINT COVER



The following installation instructions are very important. Read them carefully, and be sure you understand them completely before you begin any work.

### PREPARATION

1. Before beginning installation of the Z-5001 and ZK-5001, review the layouts for the various types and location as detailed on the approved GENOTEK shop drawings.
2. The concrete base should be cured at least 7 days and repairing of all cracks and spalled areas in the blockout should be done prior to the installation of the expansion joint profile. The blockouts may be formed at the time of the initial concrete pour or at a later time by removing material from the slab.
3. The base of the blockout should be leveled, flatted and paralleled. The minimum width of the blockout is 160mm and the depth is 50mm below the finish floor level. See figure 1 below for the blockout details;

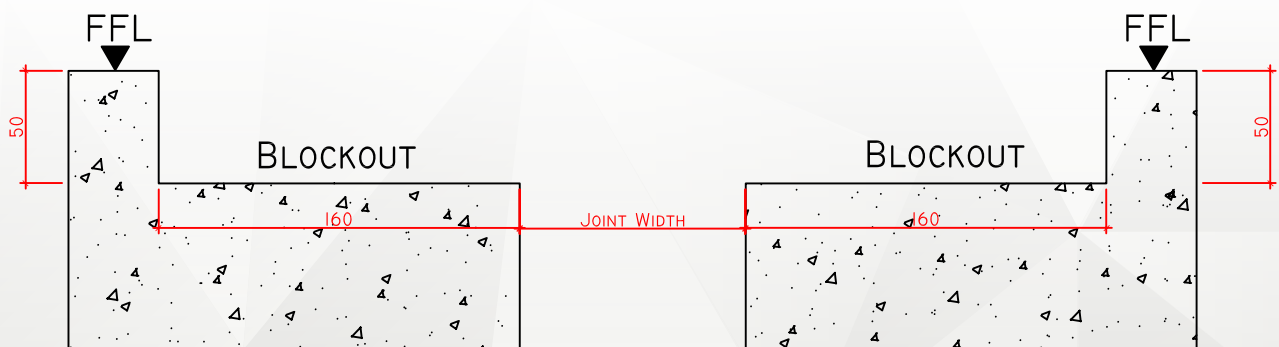


Figure 1.



## Z-5001 AND ZK-5001 FLOOR EXPANSION JOINT COVER

### INSTALLATION

1. Select one base member extrusion, and drill the anchor holes into it, spacing the holes a maximum of 30 cm. o.c. The anchor holes at the ends of the extrusion must be a maximum of 15 cm. from the end of the extrusion.
2. Drill the anchor holes in the corresponding opposite base member for floor-to-floor installations, using the same spacing for the holes as was used for the base member drilled in Step 1.
3. If fire barrier is specified, install it at this time. Refer to the appropriate fire barrier type installation instructions for additional instructions regarding the installation of the fire barrier.
4. If water barrier is specified, install it at this time.
5. Put one of the drilled base members into position in the blockout along the edge of the joint. Ensure that the base member is level, plumb, properly aligned, and flush with the finished floor. Using the base member as a template, mark the locations for the anchor holes in the concrete.
6. Remove the base member from the blockout, and drill the anchor holes into the concrete substrate at the locations marked in Step 5. (*NOTE: OBSERVE NORMAL SAFETY PRECAUTIONS WHEN DRILLING TO AVOID ALL UTILITIES AND RE-BAR. ENSURE THAT THE RESULTING DUST AND DEBRIS ARE CLEANED OUT OF THE BLOCKOUT.*)
7. Put the base member back into position in the blockout. Ensure that it is level, plumb, properly aligned and flush with the finished floor. Ensure that the anchor holes in the base member align with the anchor holes in the concrete.
8. Attach the base member to the concrete using the fasteners (see Figure 2).

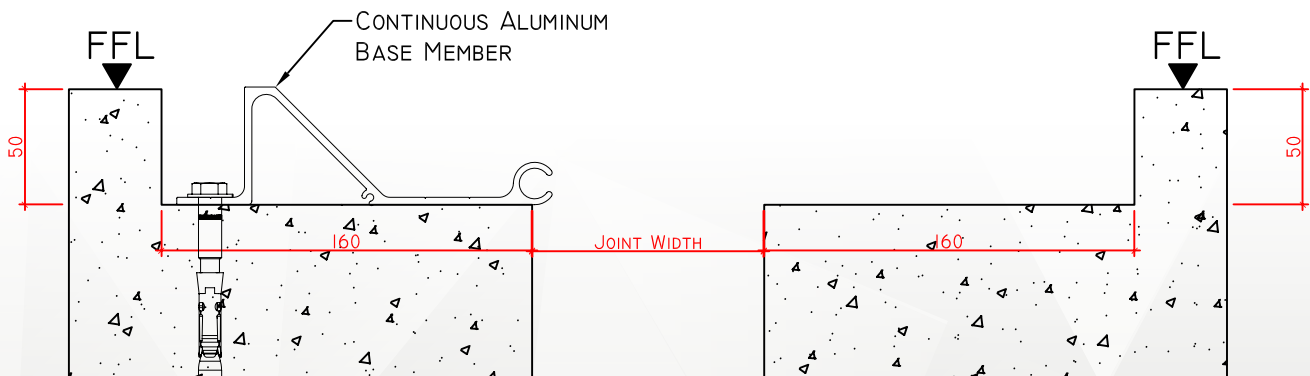


Figure 2.



## Z-5001 AND ZK-5001 FLOOR EXPANSION JOINT COVER

9. Repeat the procedures given in Step 5 through Step 8 for the opposite base member (see Figure 3). Ensure that the base member is level, plumb, and properly aligned.

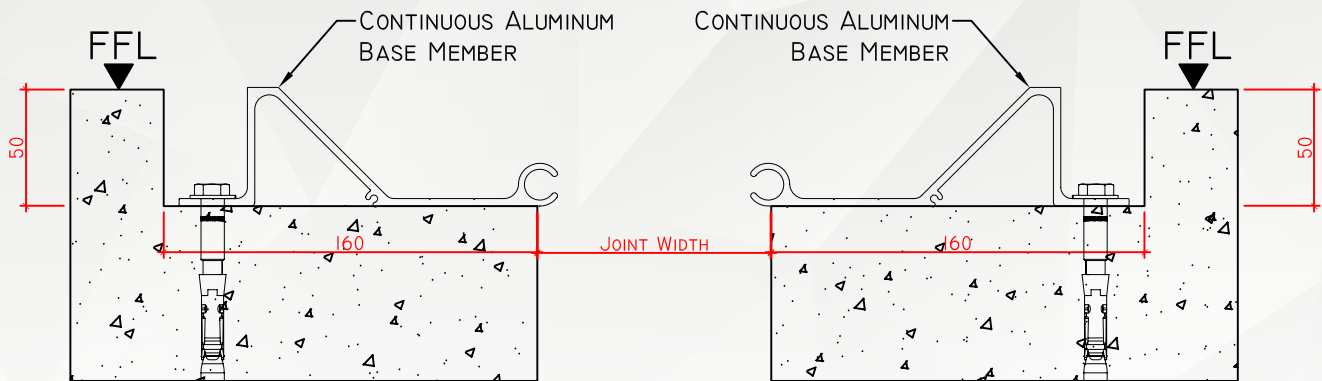


Figure 3.

10. Repeat the procedures given in Step 1 through Step 9 until all base members have been installed.
11. Select a section of the pan cover for installation into the installed base members. For floor-to-floor installations, select the centering bar assemblies for the section of pan. There must be a centering bar for each hole drilled into the center of the pan.
12. Place a centering bar bolt through one of the anchor holes in the center of the pan and into the coupling in the centering bar assembly.
13. Attach a centering bar assembly to the centering bar bolt. The centering bar assembly must be attached as near to the end of the centering bar bolt as possible.
14. Repeat Step 12 and Step 13 until all the centering bars are attached to the section of pan being installed (see Figure 4).

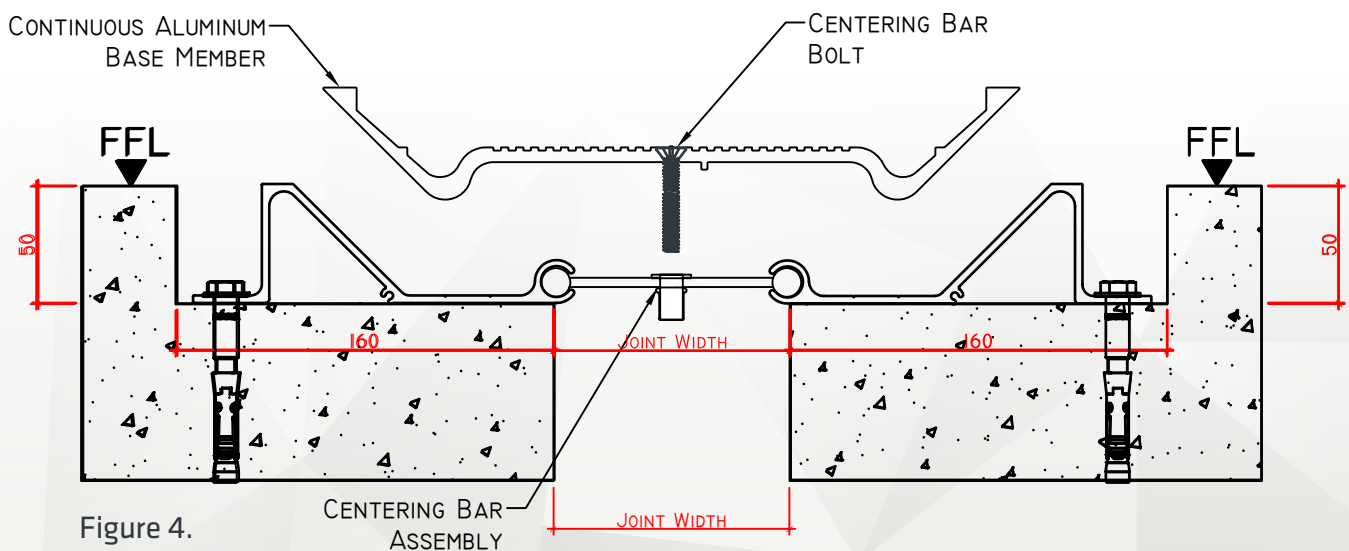
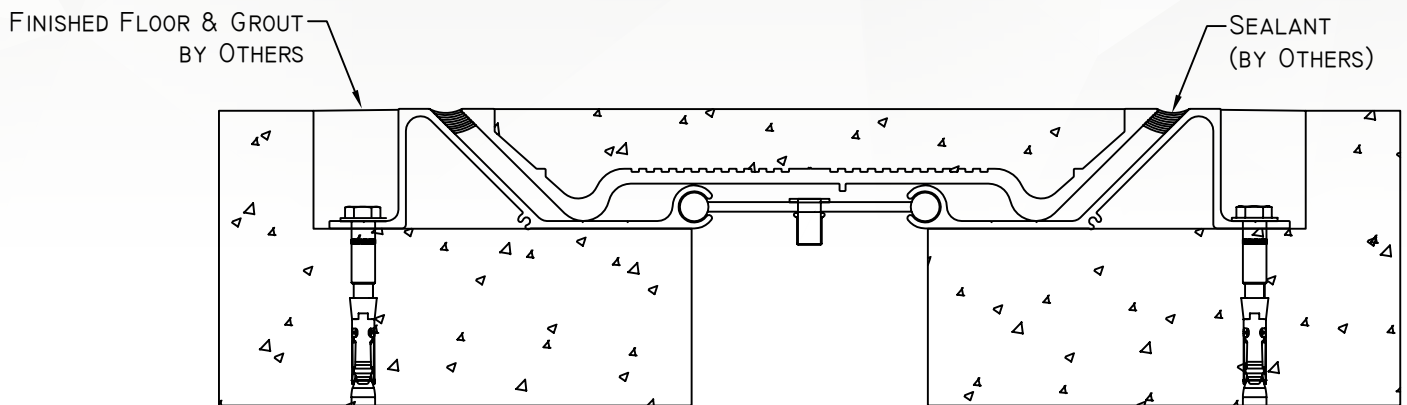


Figure 4.



## Z-5001 AND ZK-5001 FLOOR EXPANSION JOINT COVER

15. Rotate all the centering bars so that they are parallel to the run of the joint.
16. Put the pan cover, with attached centering bars, into its installed position on the base members. Ensure that the pan cover is plumb, level, properly aligned, and flush with the finished floor.
17. Repeat the procedures given in Step 11 through Step 16 for each successive section of the pan cover. Ensure that the sections of the pan cover are level, plumb, flush with the finished floor, and properly aligned with the base members and one another.
18. After the pan cover is installed and all the centering bars have been properly tightened in floor-to-floor installations, place the filler material (by others) into the pan (see Figure 5). The filler material must be installed in accordance with the filler manufacturer's instructions. If concrete or grout are poured into the pan, ensure that all holes and gaps in the pan have been properly dammed.



19. Install the finished floor material in accordance with its manufacturer's written instructions.