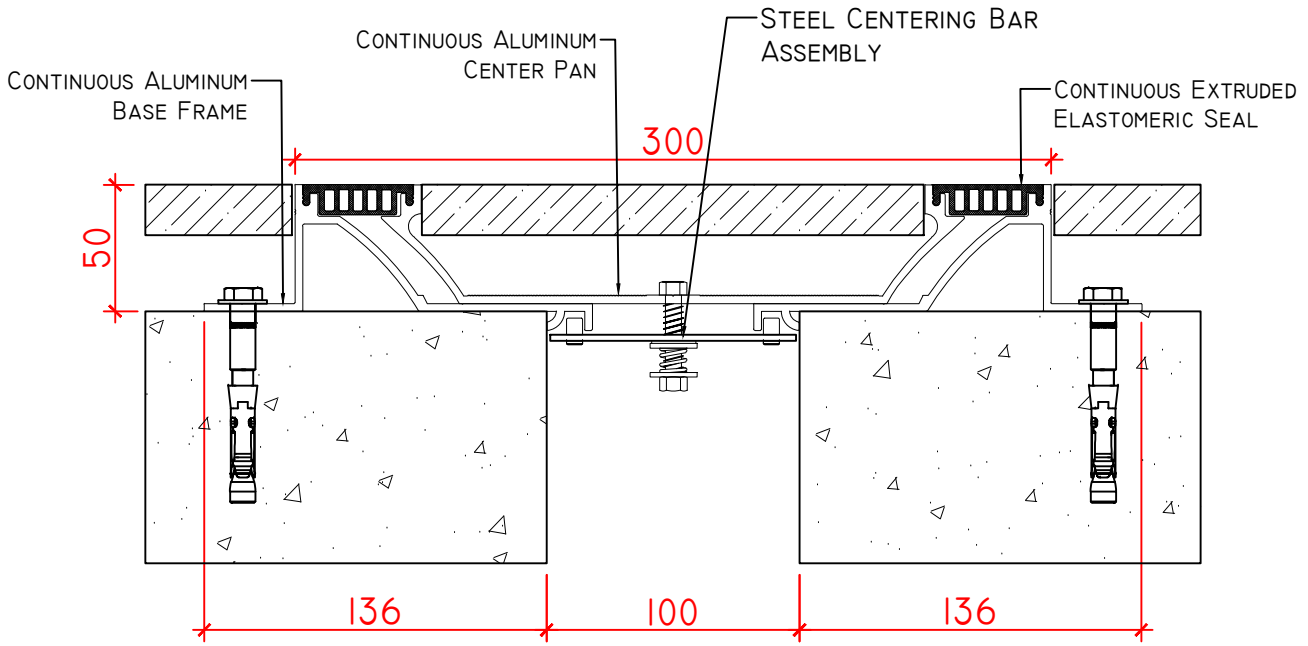
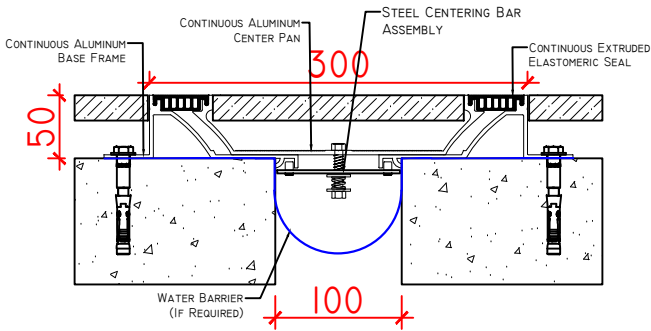


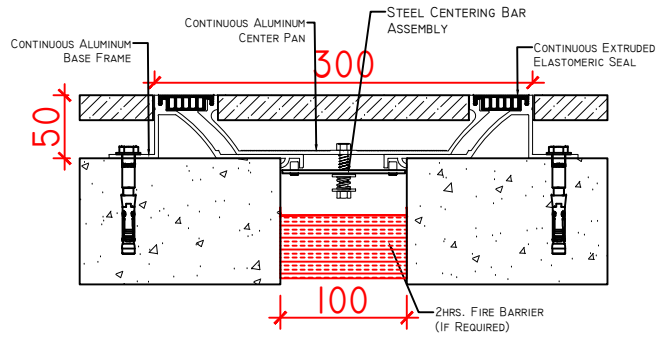
OPTION 1: Z-5200



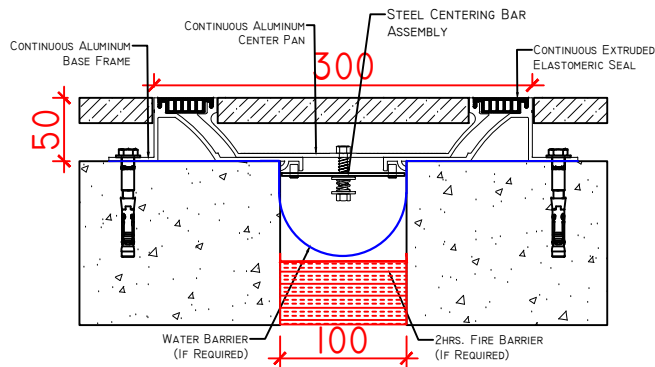
OPTION 2: Z-5200 + WATER BARRIER



OPTION 3: Z-5200 + FIRE BARRIER



OPTION 4: Z-5200 + WATER BARRIER + FIRE BARRIER



SKU	NAME	JOINT WIDTH, JW(MM)	HEIGHT, H(MM)	SIGHTLINE, S(MM)	MOVEMENT CAPACITY %	LOAD CAPACITY (KN)
Z5200I0050300	Z-5200-100	100	50	300	±50	10



PRODUCT TYPE: EXPANSION JOINT COVER

APPLICATION: FLOOR TO FLOOR AND WALL TO WALL CONDITION

APPROVED BY CLIENT: