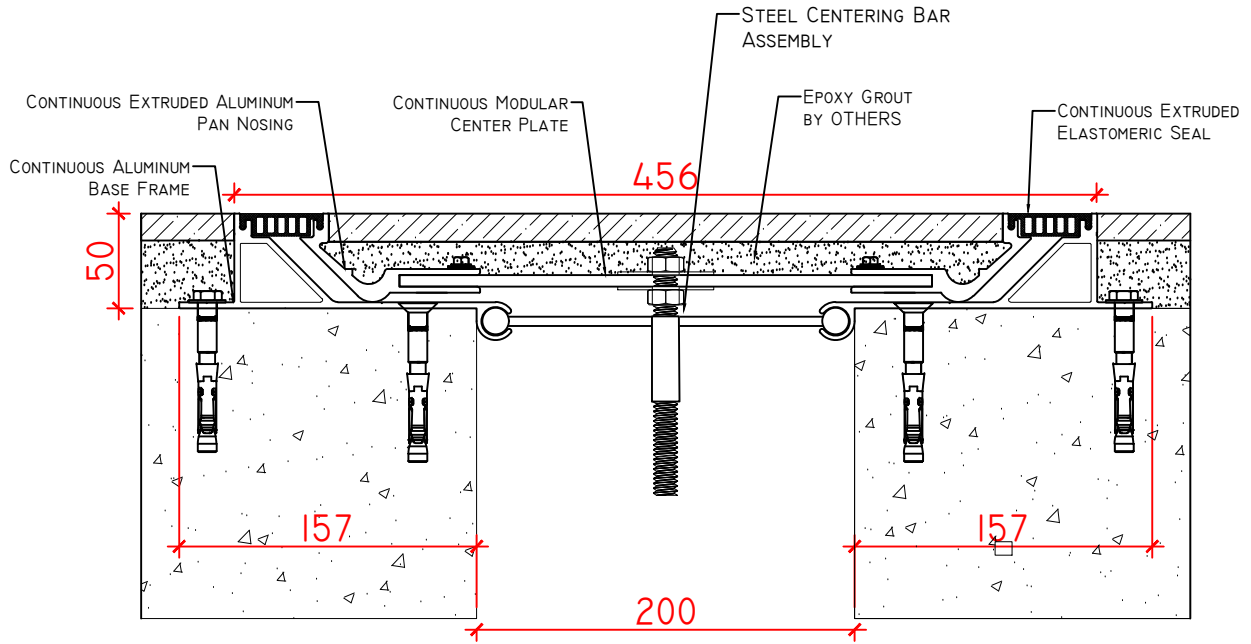
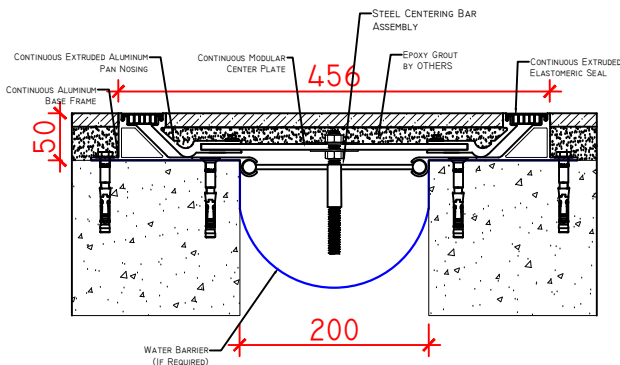


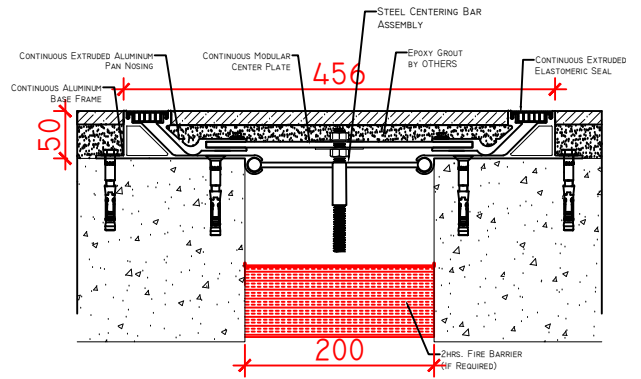
OPTION 1: Z-5200



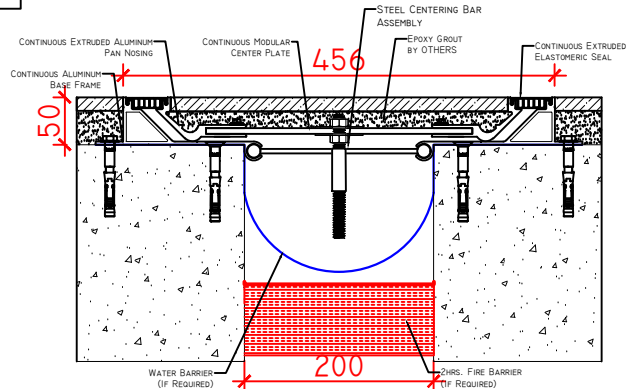
OPTION 2: Z-5200 + WATER BARRIER



OPTION 3: Z-5200 + FIRE BARRIER



OPTION 4: Z-5200 + WATER BARRIER + FIRE BARRIER



SKU	NAME	JOINT WIDTH, JW(MM)	HEIGHT, H(MM)	SIGHTLINE, S(MM)	MOVEMENT CAPACITY %	LOAD CAPACITY (KN)
Z520020050456	Z-5200-200	200	50	456	±25	10



GENOTEK

PRODUCT TYPE: EXPANSION JOINT COVER

APPLICATION: FLOOR TO FLOOR CONDITION

APPROVED BY CLIENT: