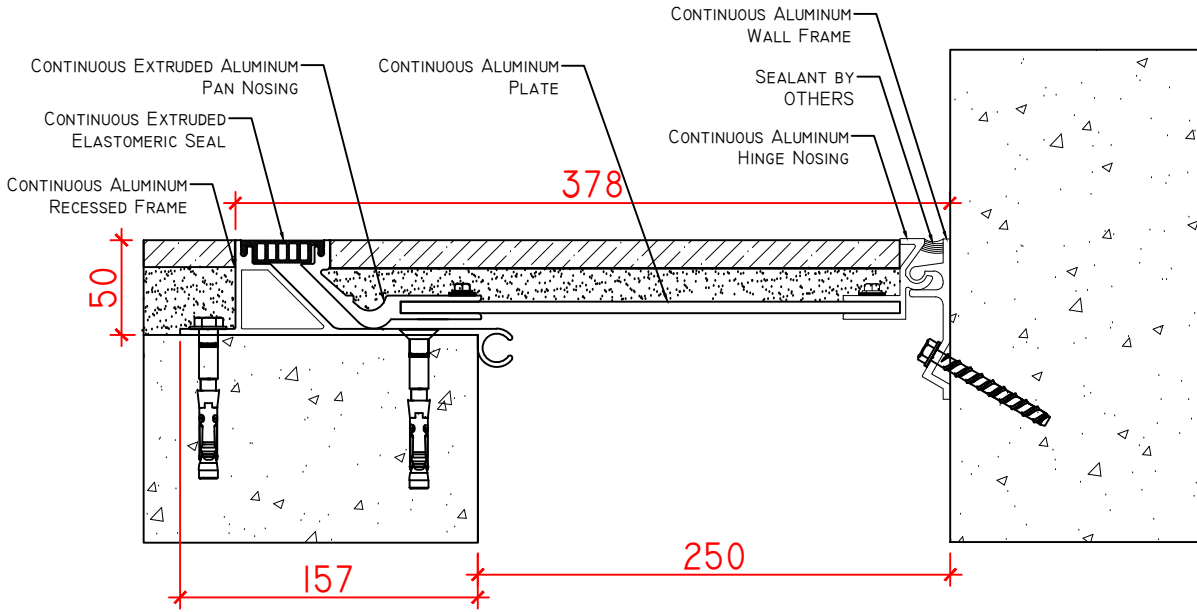
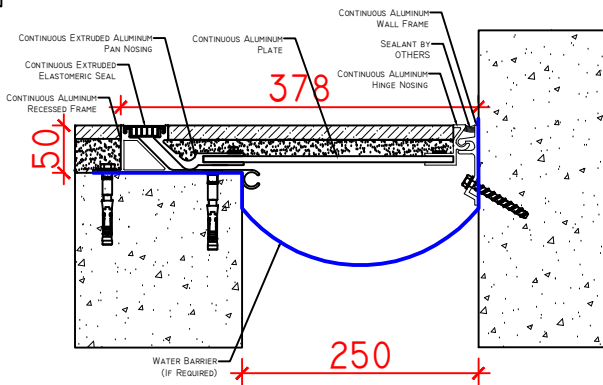


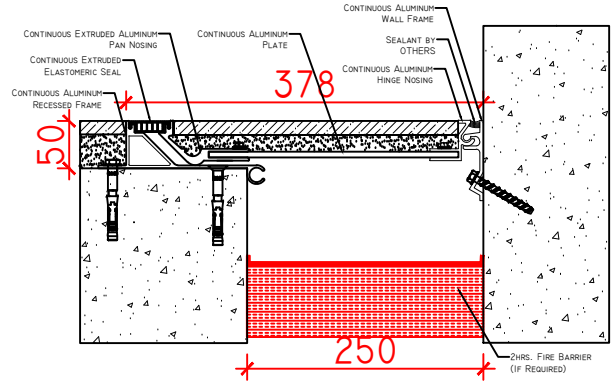
OPTION 1: ZK-5200



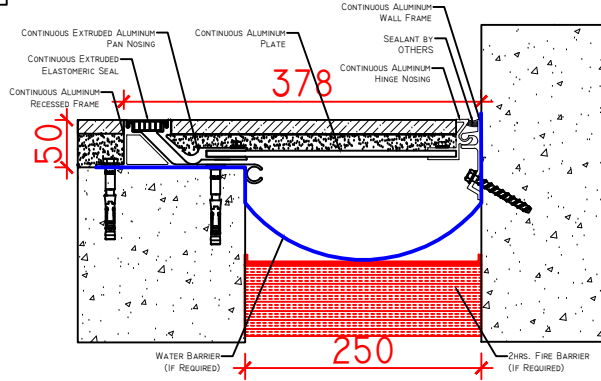
OPTION 2: ZK-5200 + WATER BARRIER



OPTION 3: ZK-5200 + FIRE BARRIER



OPTION 4: ZK-5200 + WATER BARRIER + FIRE BARRIER



SKU	NAME	JOINT WIDTH, JW(MM)	HEIGHT, H(MM)	SIGHTLINE, S(MM)	MOVEMENT CAPACITY %	LOAD CAPACITY (KN)
ZK520025050378	ZK-5200-250	220-260	50	378	±12	10



**PRODUCT TYPE:** EXPANSION JOINT COVER

**APPLICATION:** FLOOR TO WALL CONDITION

**APPROVED BY CLIENT:**