



Z-5200 & ZK-5200 POP UP SEISMIC FLOOR AND WALL EXPANSION JOINT COVERS



PRODUCT DESCRIPTION

The Z - 5200 Expansion Joint Cover is an ideal Cover for Floor , Wall and Ceiling for seamless integration.

The Series is suitable for Interior and Exterior Areas where Minimal Visible Sightline of the Profile is expected.

The components of the Z-5200 cover are:

- Extruded Aluminium Recessed Support Profiles.
- Extruded Aluminium Centre Pan.
- Galvanised Steel Turnbar.
- Elastomeric Rubber Insert which absorbs the Expansion and Contraction in the adjacent concrete slabs

The Z - 5200 is an Aluminium + Rubber Expansion Joint Cover Profile.

The Profile is a combination of a Heavy-Duty Pan Type System and an Elastomeric Gasketed Floor and Wall Joint Cover.

The Profile is capable of accommodating Thermal Movement without applying stress to any of its Metal Components and it can undertake Multi-Directional/Seismic Movement including Lateral Shear Movement.

The Central Pan of the Z - 5200 Cover provides for Fixing of Finishing Material in the Deep Recess thus providing Concealment of the Profile and offering Minimum Visibility of the same.

This Cover is a High-Load Bearing System, and provides a Simple, Durable and Attractive solution while keeping the surrounding Aesthetic Intact.

RECOMMENDED FOR

- Interior and Exterior Areas where thermal and Multi Directional/Seismic Movement is expected
- Areas where Aesthetic plays an important role
- Hospitality, Retail, Commercial and similar applications

TECHNICAL DATA

Support Profiles & Centre Pan

The Aluminium profiles are extruded using one of the multiple Aluminium alloys and tempers.

The selection of the Aluminium grade depends on the use case of the profile.

Aluminium grade AA 6063 is the preferred choice for most profiles.

Elastomeric Seal

Material: Thermoplastic Elastomer or Ethylene Propylene Diene Monomer.

Hardness: 60 - 70 ShoreA (ASTM D 2240).

Finish: Smooth Finish.

Colors: Black, Beige, Grey and White.



GENOTEK

Z-5200 & ZK-5200 POP UP SEISMIC FLOOR AND WALL EXPANSION JOINT COVERS

Turnbar

Material – Galvanised Steel.

Finish – “A” Coating (Corrosion protection).

Optional: Vapour Barrier

Material	Ethylene Propylene Diene Monomer.
Color	Black.
Tensile Strength	1431 psi - ASTM D 412.
Tear Resistance (lbf/in.)	204 – ASTM D 624.
Puncture Resistance (lbf)	60 at 4.49” – ASTM E 154.

STORAGE & HANDLING

ALUMINIUM

• Transportation

Aluminium can be damaged during transport and constitutes in the form of scratches and wear marks that can lead to subsequent interfacial corrosion. Such damage prevents satisfactory surface treatment of the profiles.

The appearance of Aluminium is affected by minor transportation damages to the surface of the material but mechanical properties of the metal, however, remain unaffected.

To prevent such damage to the material, it is important for the Aluminium profiles to be packaged in strong paper, plastic or bubble wrap during any moving and transportation to prevent individual profile surfaces from bumping against each other thus causing scratches.

• Storage

It is important to note that Aluminium gets easily affected by water and moisture.

Aluminium alloys with higher magnesium content are sensitive to water and condensation, whereas purer alloys have greater resistance to the same.

Moisture damage to Aluminium appears as white patches/ spots or dark discolouration marks and can be observed in the event if water or condensation is trapped between Aluminium profile stacked upon or lying very close to each other.

EPDM

• Storage

The storage temperature must remain below 25° C.

There should be no direct heat sources in the storage area.

The seals should not be exposed to direct sunlight.

The seals must be protected from the effects of ozone and ionizing radiation.

The seals must be stored so as to avoid their being under tensile stress.

SUBSTRATE REQUIREMENT & PREPARATION

- The surface must have enough clearance from the reinforcement to provide enough space for the anchor.
- The surface must be level to avoid gaps.
- The gap must be uniform and in a straight line.

INSTALLATION

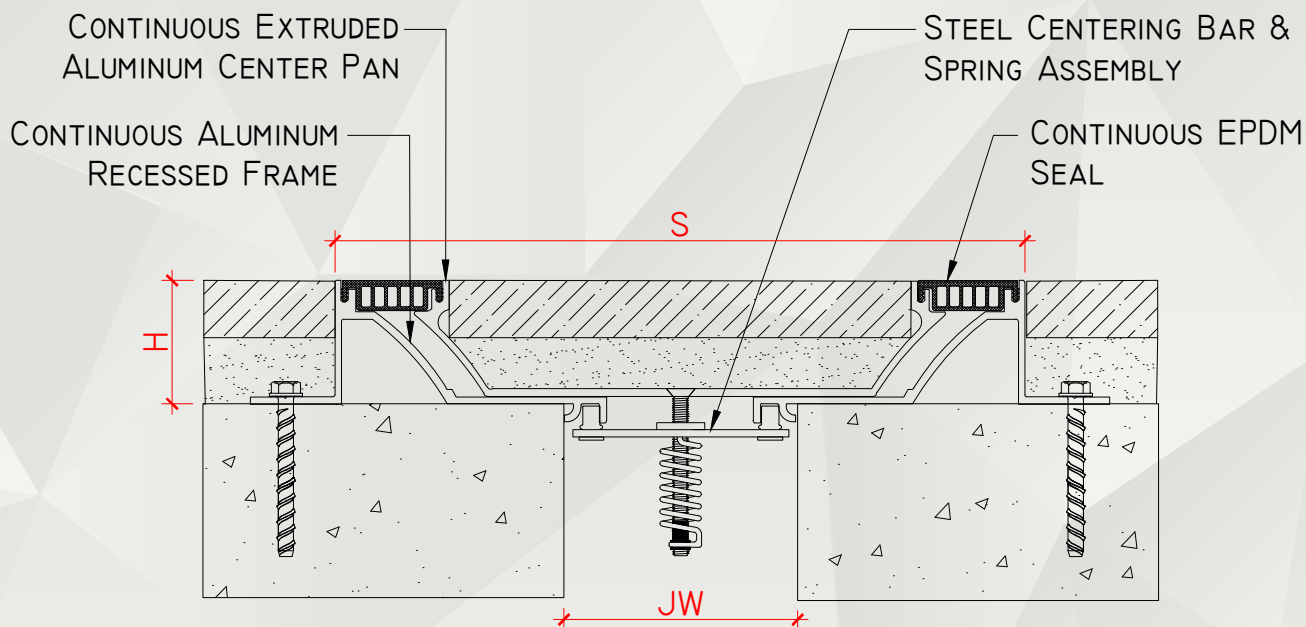
Kindly refer to the detailed GENOTEK installation instructions or contact your nearest GENOTEK Technical Centre for the same.

PACKAGING

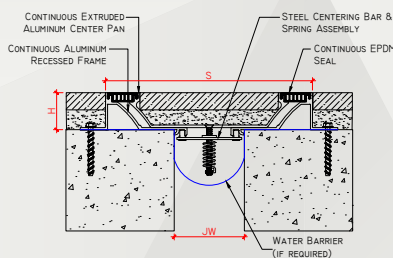
- Aluminium Support Profile & Centre Pan: Standard Supply Length of 3.00 LM per piece.
- Moisture Barrier: Variable Length as per requirement.
- Elastomeric Insert: Standard supply length of 25.00 LM per roll
- Accessories: Original Manufacturer Packing.



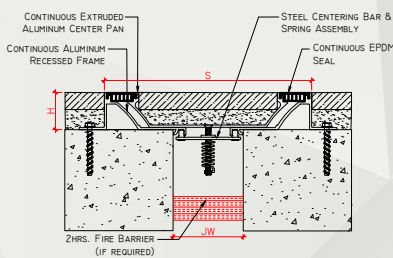
Z-5200 & ZK-5200 POP UP SEISMIC FLOOR AND WALL EXPANSION JOINT COVERS



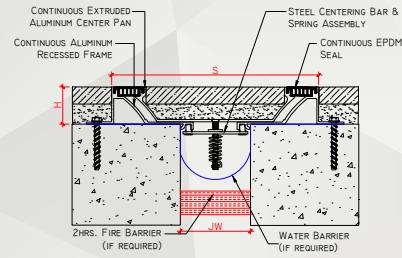
OPTIONAL: WITH WATER BARRIER



OPTIONAL: WITH FIRE BARRIER



OPTIONAL: WATER BARRIER & FIRE BARRIER



<input checked="" type="checkbox"/>	SKU	NAME	JOINT WIDTH, JW (MM)	HEIGHT, H (MM)	SIGHTLINE, S (MM)	MOVEMENT CAPACITY (%)	LOAD CAPACITY (KN)
<input type="checkbox"/>	Z52008050280	Z-5200-80	80	50	280	±25	10
<input type="checkbox"/>	Z520010050300	Z-5200-100	100	50	300	±25	10
<input type="checkbox"/>	Z520015050406	Z-5200-150	150	50	406	±25	10
<input type="checkbox"/>	Z520020050456	Z-5200-200	200	50	456	±25	10
<input type="checkbox"/>	Z520025050506	Z-5200-250	250	50	506	±25	10

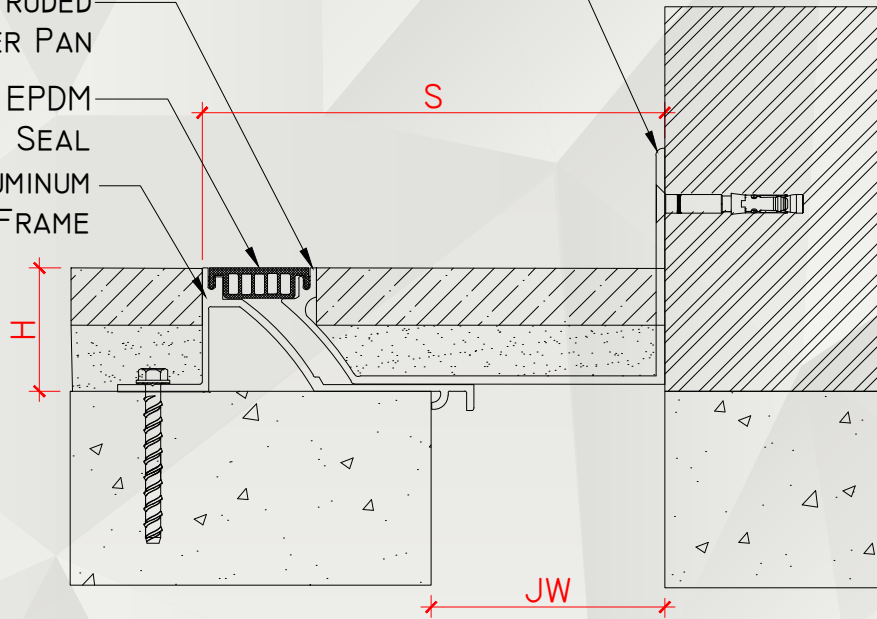
NOTE: 1. THE ABOVE DRAWINGS ARE FOR ILLUSTRATION ONLY, PLEASE SEE THE SYSTEM DRAWING OF THE PROFILE FOR THE SECTION DETAILS AS SPECIFICATION MAY VARY.

2. THE ABOVE SIZES ARE FOR REFERENCE, ADDITIONAL SIZES MAY BE AVAILABLE AND / OR CUSTOMIZED. KINDLY CONTACT GENOTEK TECHNICAL SUPPORT FOR MORE INFORMATION.

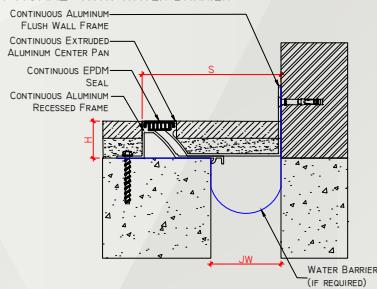


Z-5200 & ZK-5200 POP UP SEISMIC FLOOR AND WALL EXPANSION JOINT COVERS

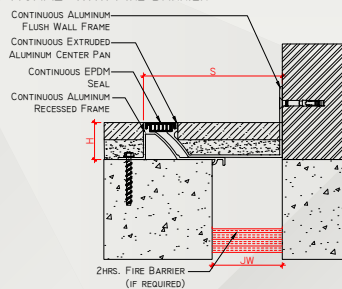
CONTINUOUS ALUMINUM
FLUSH WALL FRAME
CONTINUOUS EXTRUDED
ALUMINUM CENTER PAN
CONTINUOUS EPDM
SEAL
CONTINUOUS ALUMINUM
RECESSED FRAME



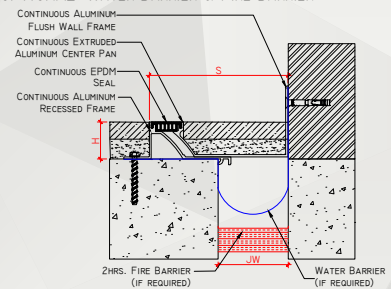
OPTIONAL: WITH WATER BARRIER



OPTIONAL: WITH FIRE BARRIER



OPTIONAL: WATER BARRIER & FIRE BARRIER



<input checked="" type="checkbox"/>	SKU	NAME	JOINT WIDTH, JW (MM)	HEIGHT, H (MM)	SIGHTLINE, S (MM)	MOVEMENT CAPACITY (%)	LOAD CAPACITY (KN)
<input type="checkbox"/>	ZK52008050220	ZK-5200-80	80	50	220	±12	10
<input type="checkbox"/>	ZK520010050237	ZK-5200-100	100	50	237	±12	10
<input type="checkbox"/>	ZK520015050310	ZK-5200-150	150	50	310	±12	10
<input type="checkbox"/>	ZK520020050328	ZK-5200-200	200	50	328	±12	10
<input type="checkbox"/>	ZK520025050410	ZK-5200-250	250	50	410	±12	10

NOTE: 1. THE ABOVE DRAWINGS ARE FOR ILLUSTRATION ONLY, PLEASE SEE THE SYSTEM DRAWING OF THE PROFILE FOR THE SECTION DETAILS AS SPECIFICATION MAY VARY.

2. THE ABOVE SIZES ARE FOR REFERENCE, ADDITIONAL SIZES MAY BE AVAILABLE AND / OR CUSTOMIZED. KINDLY CONTACT GENOTEK TECHNICAL SUPPORT FOR MORE INFORMATION.