

# STEDMAN

CATALOG NO. 626

## **GRAND SLAM** HORIZONTAL SHAFT IMPACTOR **GS2424**



- Up to 10 Ton/Hr.
- Feed Sizes up to 16"
- Reduction Ratios up to 30:1
- Wet or Dry Materials
- Low Horsepower Requirements
- Open Discharge with No Screen to Plug
- Adjustable Product Control



TWO-TURN BREAKER BAR FOR EXTENDED LIFE BEFORE CHANGE-OUT



SIDE DOORS PERMIT EASY ACCESS FOR GAP ADJUSTMENT WHEN REQUIRED



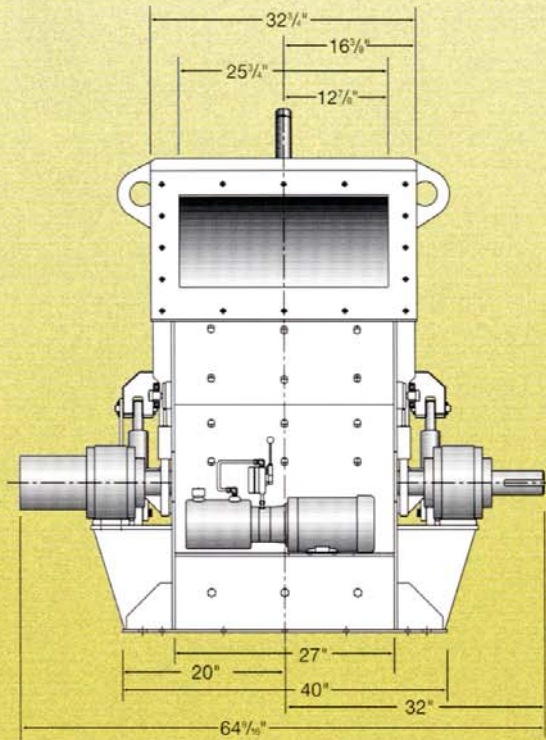
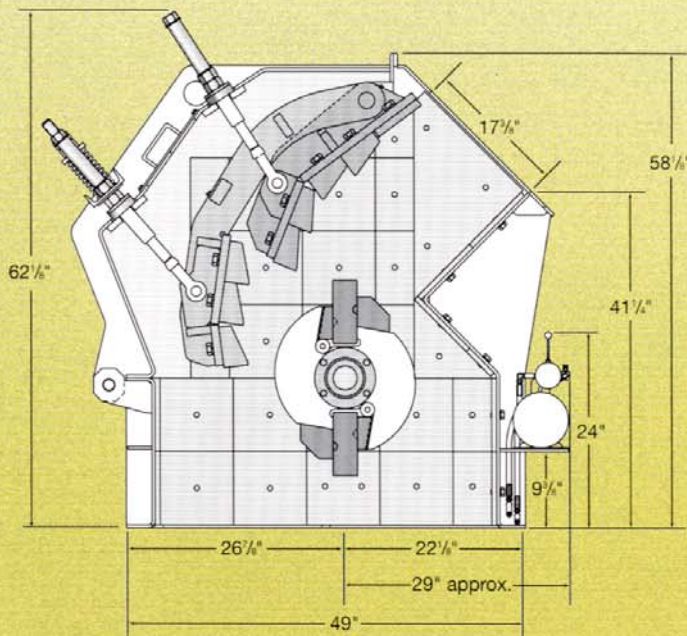
EXCLUSIVE ROTOR-LOCK FOR EASY BREAKER BAR CHANGE-OUT



HYDRAULIC POWERED OPENING OF REAR HOUSING FOR FAST AND EASY ACCESS

# GRAND SLAM<sup>®</sup> HORIZONTAL SHAFT IMPACTOR

## GS2424



Stedman's "Grand Slam" Model 2424 is especially designed for size reduction of thousands of minerals, ores and chemicals in both wet and dry applications.



### Custom Engineered System Solutions

**Complete full-size Test Plant for particle size reduction, processing and material handling system analysis.**

**Full-scale testing:** Crushing systems are available to process wet and tacky as well as dry materials, for particle sizes from -12 inches down to 200 mesh. Whether hard minerals, limestone, coal or metal, call us for one of our 10,000 application reports on file.

**Computer process simulations:** Available to produce screen and scalping area calculations, performance reports and flow diagrams.

**Test before you buy:** For a full-size equipment test in our laboratory, provide us with 200-300 lbs. of your feed material. We will help you select just the right equipment for your job. Call for further details.

**STEDMAN MACHINE COMPANY**

P.O. BOX 299 • AURORA, INDIANA 47001  
Phone: (800) 262-5401, (812) 926-0038  
Fax: (812) 926-3482



**1-800-262-5401**

Web Site: <http://www.stedman-machine.com>  
E-Mail: [sales@stedman-machine.com](mailto:sales@stedman-machine.com)