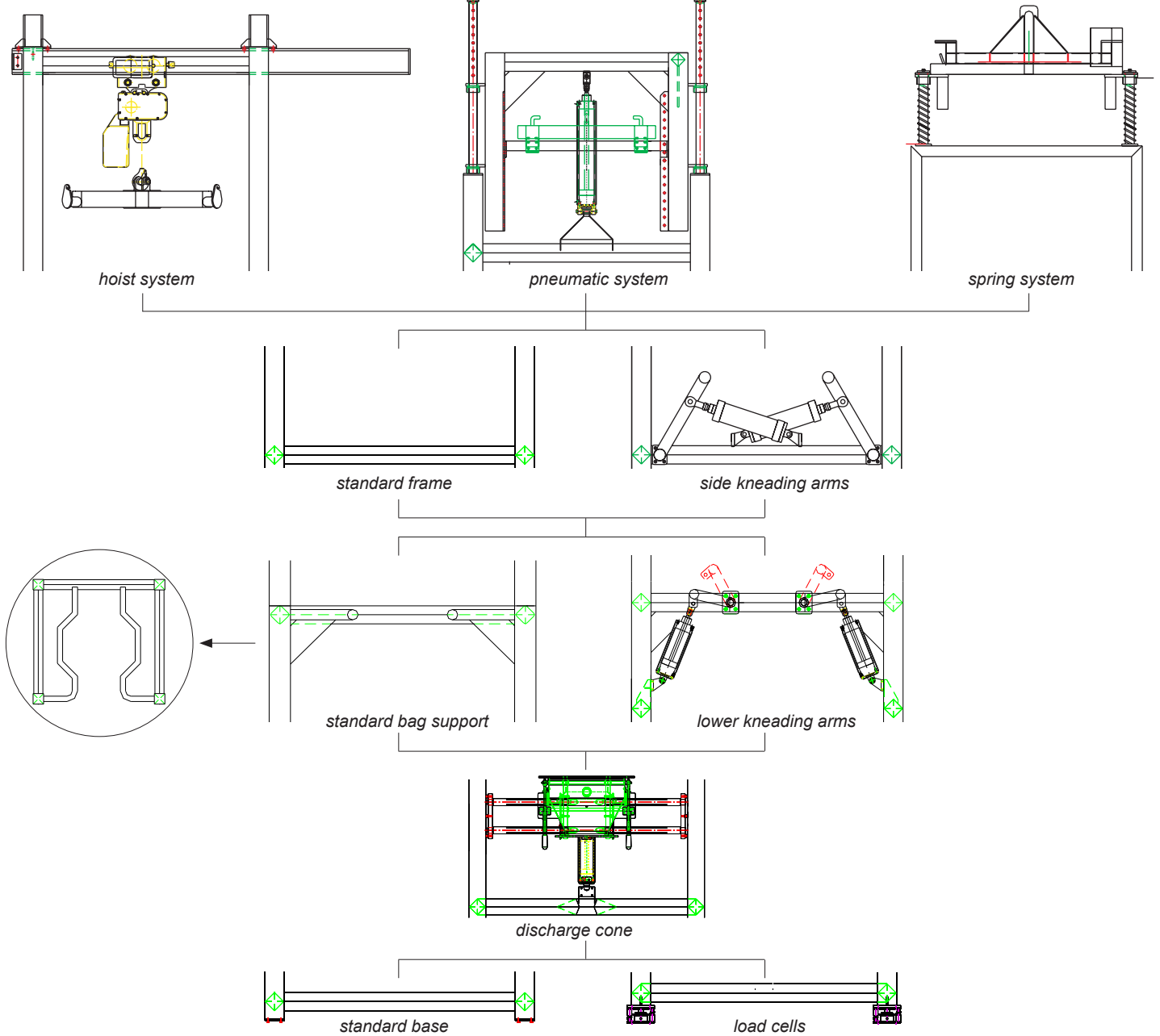
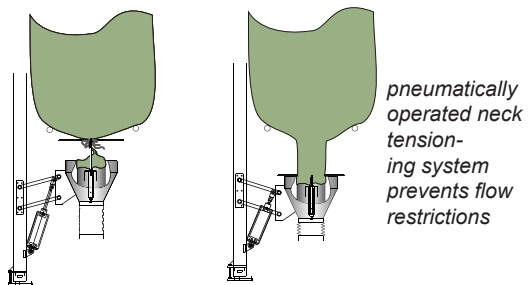
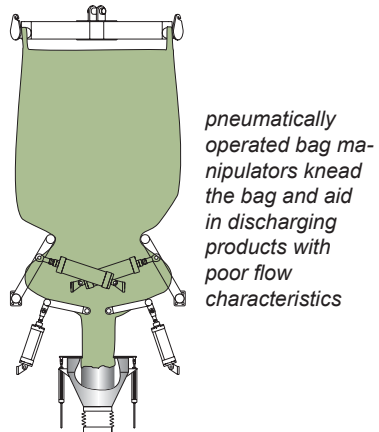
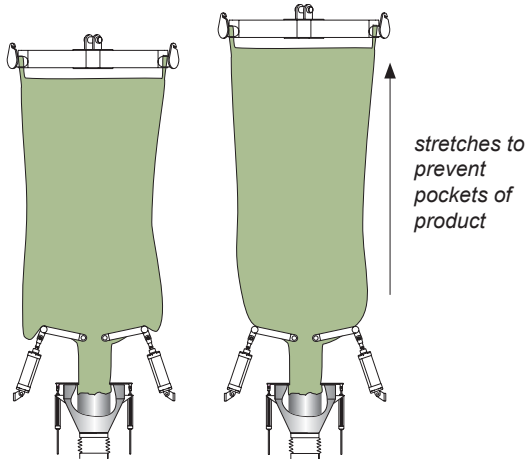


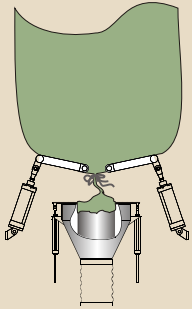
Modular to fit your needs



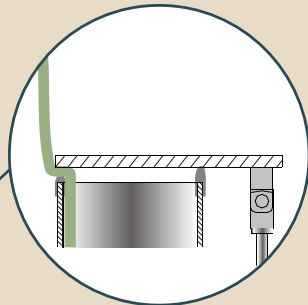
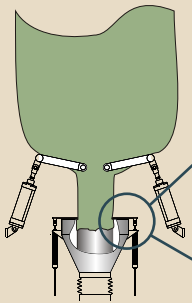
Cone options

Functionality:

Connect



Discharge

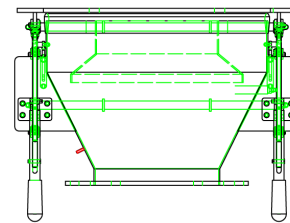
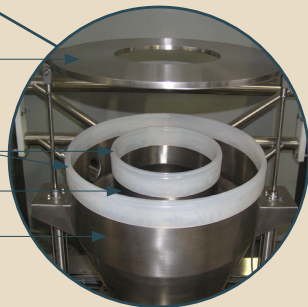


lid

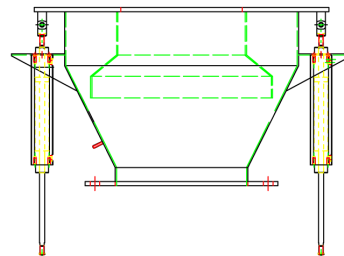
gaskets

inner tube

cone

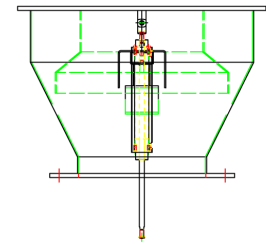


manually operated lid

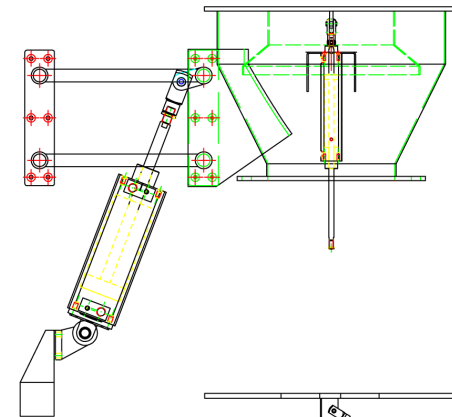


pneumatically operated lid

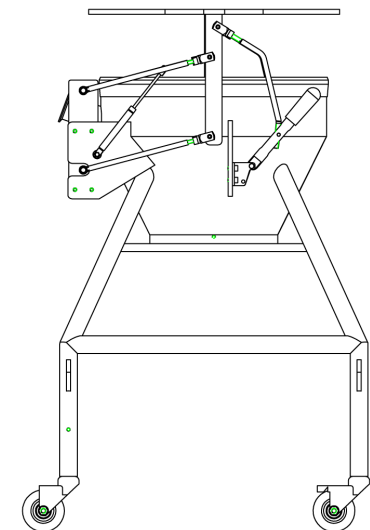
fixed cone



cone suspended in a pneumatically operated parallelogram



cone on a mobile frame



Information may be subject to change without notice.