

Big-bag discharger- BBD

Material handling made easy

Dust-free big-bag/FIBC discharging

- pneumatic, spring or hoist systems for big-bag tensioning during discharging
- bag manipulators for materials with poor flow characteristics
- dust-tight seal between big-bag and discharge cone



- Mild or stainless steel construction as required
- Surface finishing/treatments as required

TEKEMAS



Eliminate dead pockets of product

Pneumatic, spring or electric hoist systems ensure the big-bag is stretched correctly while discharging.

Adjust to a variety of big-bag sizes

With the pneumatic or spring tensioning systems, the frame height adjusts to accommodate a wide variety of big-bag sizes.

Even for poorly flowing products

Pneumatically operated bag manipulators can be used for discharging products with poor flow characteristics.

Avoid material flow restrictions

The pneumatically operated big-bag neck tensioning system prevents material flow restrictions during discharge.

Eliminate dust emissions

The lid of the discharge cone creates a dust-tight seal between the big-bag and the discharge cone. Manually or pneumatically operated.

The discharge cone can also be equipped with a dust take-off point to extract any residual dust after discharge and prior to removal.

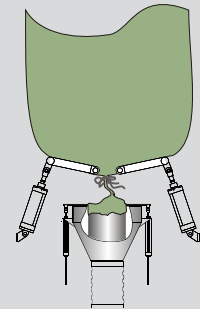
Incorporate into recipes

The BBD can be fitted with load cells for dosing purposes or as part of a loss-in-weight recipe system.

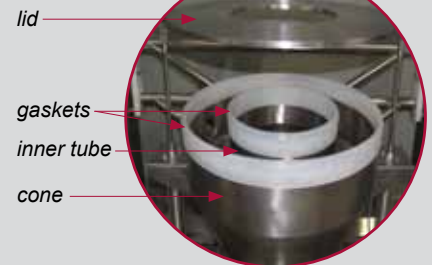
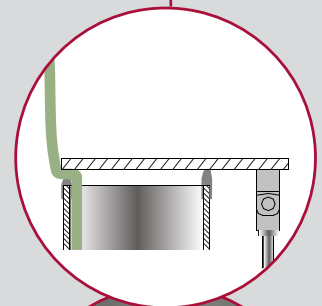
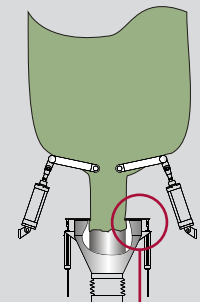
Information may be subject to change without notice.

Functionality:

Connect



Discharge



FL0101-a 10/09