

Big-bag discharger - BBDW

Wall-mounted version

Material handling made easy

Dust-free big-bag/FIBC discharging

- easier to clean surrounding areas
- compact, space-saving and economical design for free-flowing products
- easier to place constructions underneath
- dust-tight seal between big-bag and discharge cone



- GMP/EHEDG design
- FDA-approved materials
- Mild or stainless steel construction as required
- Surface finishing/treatments as required

TEKEMAS



Easy to keep the surrounding area clean.



Robust design.

Makes cleaning the surrounding areas easy

Design makes it easy to clean surrounding areas. A compact and economical solution for free-flowing products.

Eliminate dead pockets of product

Electric hoist system ensures the big-bag is stretched correctly while discharging.

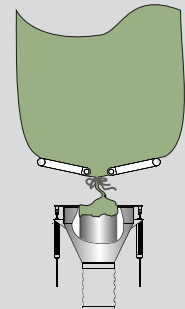
Eliminate dust emissions

The lid of the discharge cone creates a dust-tight seal between the big-bag and the discharge cone. Manually or pneumatically operated.

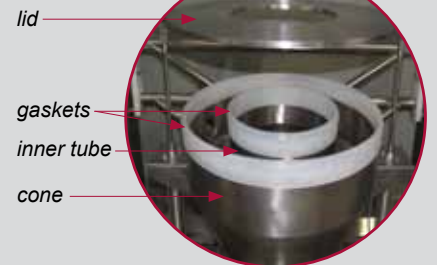
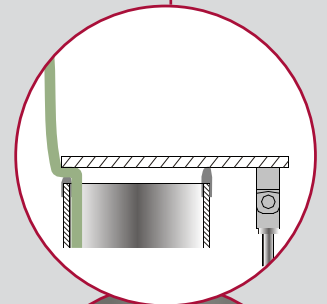
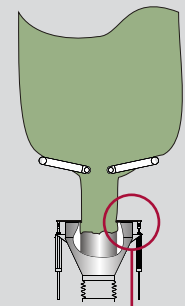
The discharge cone can also be equipped with a dust take-off point to extract any residual dust after discharge and prior to removal.

Functionality:

Connect



Discharge



Information may be subject to change without notice.

FL0104-a 10/09