



HOW A SEARCH LED TO A SOLUTION

**The Story of LestaUSA**

You may have noticed our logo says, “Lesta... distributed by DeGeest.” Here’s what it means.

DeGeest Corporation is a three-generation family-owned and operated business near Sioux Falls, South Dakota. With its roots in fabrication, the company has since expanded its capabilities to encompass three primary service areas: Steel Works, Automation, and Finishing.

As the company grew, it found itself in the same position as many general manufacturers – they were not able to find a suitable automation solution to help eliminate backlogs in finishing.

**A worldwide search for answers led to Italy.**

After an exhaustive search for answers, DeGeest Corporation found the solution they were looking for in Milan, Italy with a company named Lesta.

“It was too good to be true,” said president, Derek DeGeest. “Lesta had self-learning painting and finishing robots that can be programmed to paint a specific part in just seconds. The robot is taught by an expert finisher already on staff, and then it repeats those same expert movements and trigger pulls on every part.”

DeGeest was so impressed after using Lesta self-learning robots on their paint lines that they forged a partnership with Lesta and has brought robotic finishing technology to the North American market under the name LestaUSA.



We’re using what we are selling in a production environment every day.

Derek DeGeest  
president of both LestaUSA  
and DeGeest Corporation

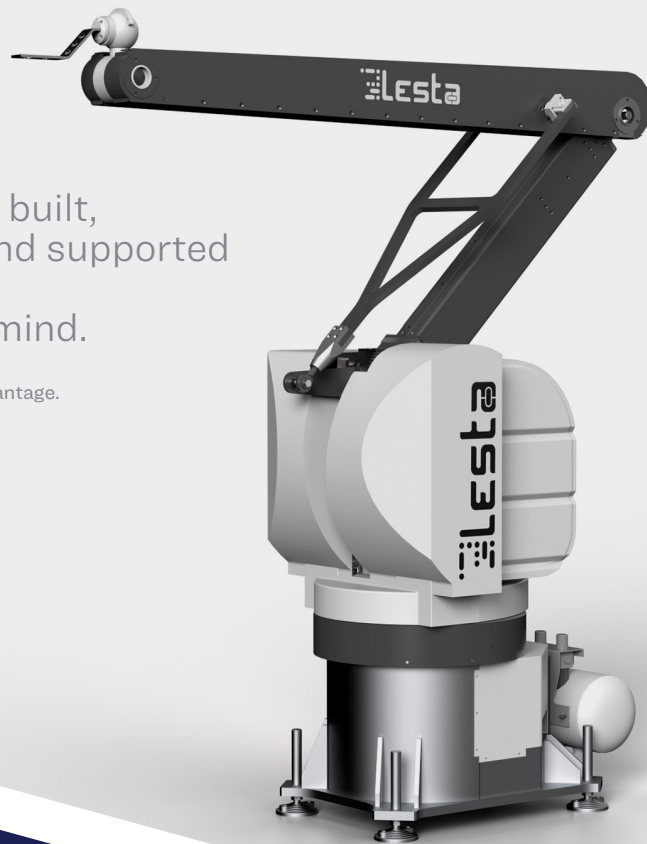


## A versatile finishing solution for every industry – even wood.

The wood industry has unique challenges. Among the biggest is the need to keep up with production demands with existing staff due to the limited availability of workers.

Lesta robots solve this challenge two ways, depending on what's being painted. For larger pieces, the robot enters a weightless self-learning mode and it records the precise movements of a human painter and repeats them on future pieces. For panels, drawers and doors, the robot is programmed using a 2D or 3D scanner and pieces are fed through either a carousel or conveyor system.

What makes it even better is that everything is built, integrated, and supported in the USA for peace of mind. That's the LestaUSA advantage.



Everything is built,  
integrated, and supported  
in the USA  
for peace of mind.

That's the [LestaUSA](#) advantage.

  
distributed by **DeGeest**

Experience it yourself!  
Make an appointment  
at [lestausa.com](http://lestausa.com)  
or call 1-888-546-2800.