



GREENBROZ

Harvesting Solutions



215 CannaGin Destemmer

USER MANUAL



This machine contains rotating parts.

Do not attempt to touch the roller while the machine is in operation.

Long hair or loose clothing can be caught in the moving parts.

Ensure that any hair or clothing is away from the rollers.

Ensure the machine is unplugged prior to any disassembly.

Do not operate the machine without the faceplate and shroud installed.

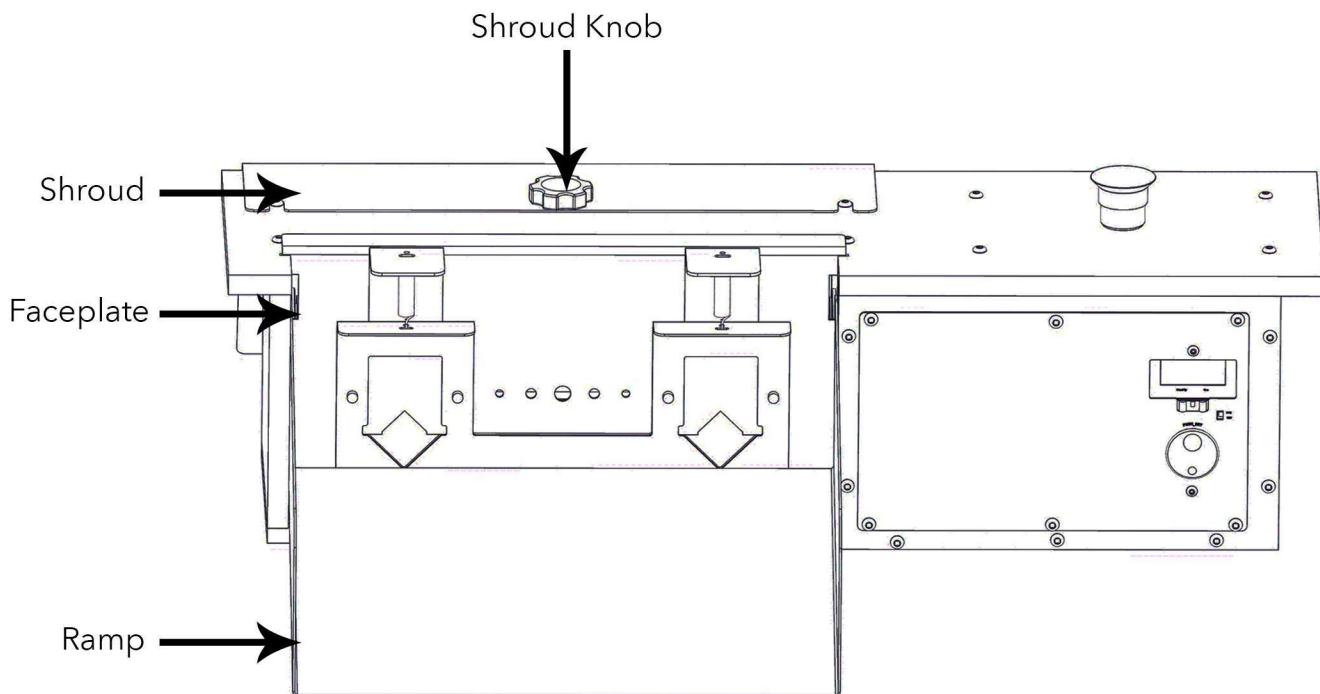


Failure to comply with the above may results in serious injury.

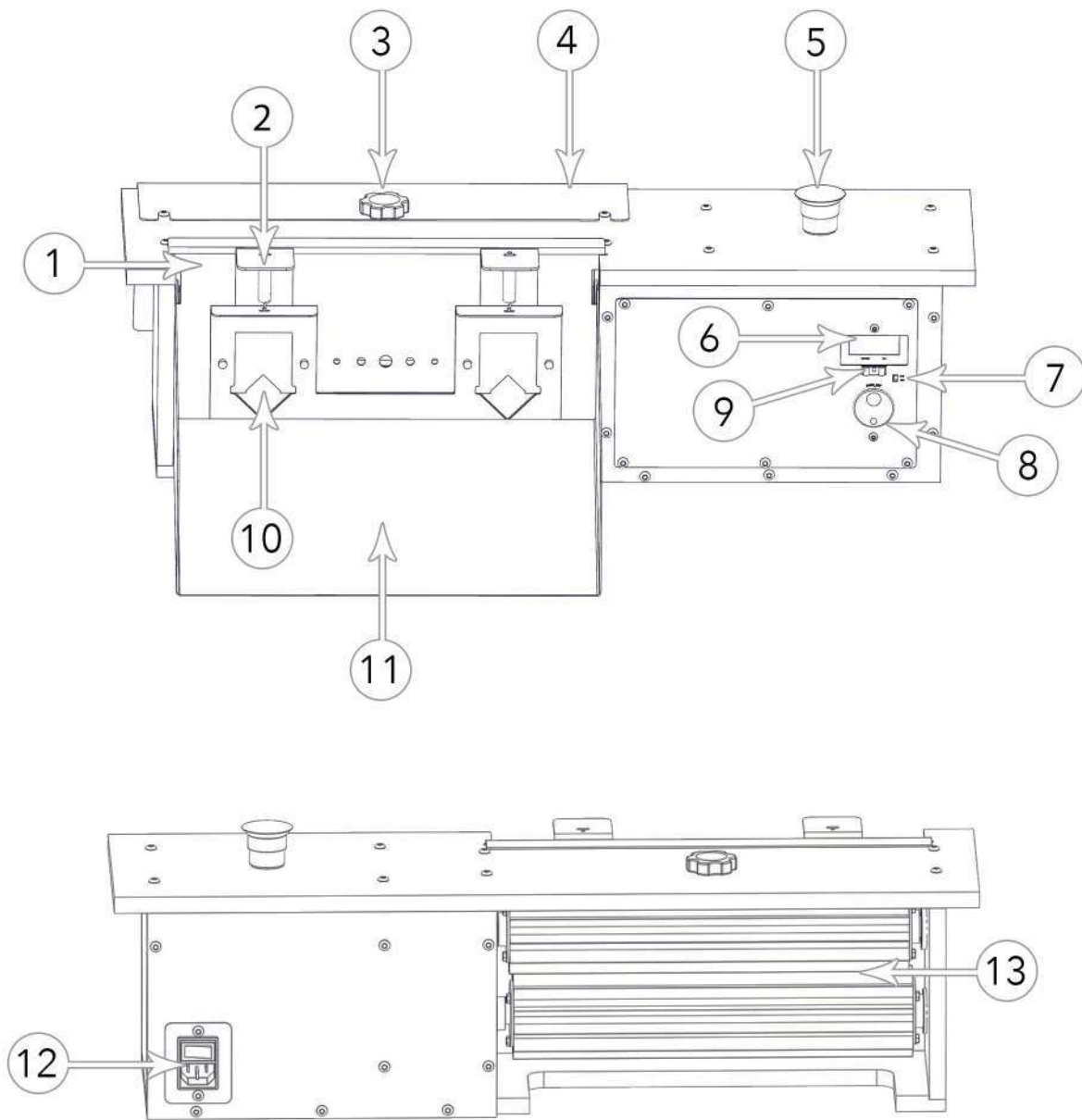
Unpacking & Assembly

All parts noted in this manual will be included with your machine unless otherwise noted.
You do not need any tools to assemble your machine.

1. Remove the machine from the shipping container and remove all plastic tape.
2. Remove any additional packaging material from the machine.
3. Set your machine on a sturdy tabletop or counter.
4. Attach the shroud to the CannaGin with the shroud knob.
5. Hang the ramp from the faceplate.



Machine Parts & Description



1. Faceplate*

2. Shearing Door (x2): Gently assists in the removal of flower from the stem.

3. Shroud Knob: Tightens and fastens the shroud to the CannaGin body.

4. Shroud: Prevents user exposure to the rollers and guides stem removal.

5. Emergency Stop Switch: Instantly stops the CannaGin.

6. Digital Display: Displays revolutions per minute (rpm).

7. Forward / Reverse Switch: Changes the direction of the motor.

8. Speed Dial: Adjusts the rotation speed from 1-80 rpm.

9. Operation Switch: Go between standby and run. The motor will rotate when switched to run.

10. Stem Guide (x7): Feed branches from the base of the stem into one of the guides.

11. Ramp: Gently guides your flowers into a container after being destemmed.

12. Power Outlet & Master On / Off Switch: Controls power to the 215 CannaGin.

13. Rollers: Will pull stems through for the destemming action to occur.

* The 215 CannaGin comes with the faceplate shown in the image above (2 shearing doors and 7 total stems guides).

We sell an alternative faceplate that comes with 4 shearing doors and 4 total stem guides. Please contact your local GreenBroz Sales Manager or reach out through the information below for more information.

Product Preparation & Processing Recommendations

While the GreenBroz CannaGin can be used on either fresh and turgid flowers or dried flowers, when using the CannaGin as part of the GreenBroz Inc. dry-trimming process, we recommend that flower moisture levels match the recommended levels of our dry trimmers.



Please note the following recommendations before operating the machine:

Tolerance for the machine is based on density of the product. Different strains with different moisture content will require RPM and door pressure adjustments.

For best results, use branches that are 1 foot in length, or longer.

Remove the top kola from your branch (optional).

Feed branches from the base of the stem to the top.

TIP: You may switch direction to "reverse" to free up any tangled stems. When switching directions the same RPM will be applied.

Machine Operation & Troubleshooting

1. Check to make sure the main power outlet switch is in the "off" position.
2. Make sure the operation switch is in the "standby" mode.
3. Plug in the power cord.
4. Turn main power switch "on".
5. The controller should be illuminated and read 0.0.
6. Place the forward/reverse switch to the "forward" position. Turn the dial.
7. Switch the controller to the "run" mode and the machine will start rotating.
8. Adjust the dial to change the revolutions per minute.
9. Lift a shearing door and feed a branch into the stem guide.

Note: To reset the emergency stop button after it's been engaged, simply press down and rotate counter-clockwise until the button releases back into the set position.

We recommend reviewing all of the disclosures and following all of the instructions to ensure optimal processing. Prior to use, ensure that machine placement is sound to prevent the machine from moving during operation.

Troubleshooting

Issue: Motor not powering on:

*Emergency shut off switch may be engaged shutting down all power to the unit. Make sure the emergency shut off switch is in the up position before attempting to turn unit on (newer generation - light will be 'on' when disengaged).

*Check that knobs are not broken.

Issue: CannaGin spinning fast when it starts up:

*RPM's have been set to a higher RPM. Variable speed can be set to any desired rate, ranging from 1-80 RPM's. The RPM's can be set accidentally if the 'speed dial' gets pushed in. When this happens, the digital display will blink rapidly 4 times showing that you have now set the 'speed dial' to that desired RPM.

Issue: How to set CannaGin to change RPM's:

*To set CannaGin RPM's, simply adjust 'speed dial' knob to desired speed. **Press knob in.** The number you have chosen will blink rapidly 4 times once you have pressed the speed dial. The number you selected will now be programmed into the Central Processing Unit (CPU) when powering unit back on. The RPM's can be changed at any time by simply choosing new RPM & pressing the 'speed dial' (making sure the numbers blink rapidly). Your new RPM is now set.

Issue: AL46 Is showing when powering CannaGin on:

*Prevention of operation at 'Power - On': This means your 'stand-by/run' switch is set in the "run"/ "on" position. Simply switch knob to 'standby/off' position before turning unit on. This will prevent the AL46 alarm from being displayed.

Product Registration

GO TO WWW.GREENBROZ.COM TO REGISTER.

Click on the product registration page to register your products. You must register within 30 days from purchase date to activate your warranty.

ALL INFORMATION OBTAINED BY GREENBROZ INC. WILL BE KEPT PRIVATE AND SECURE. GREENBROZ INC. WILL NOT SHARE OR DISTRIBUTE YOUR INFORMATION WITHOUT CONSENT.

Limited Warranty Information

Products Covered: This limited warranty is limited to GreenBroz, Inc. CannaGin products manufactured by GreenBroz, Inc. (the "Products") and provides that such product is free from defects in material and workmanship.

Length of Warranty: The length of this warranty shall be **12 months** from the date of original retail purchase of the product.

To Qualify for this Warranty: The product must be purchased from GreenBroz, Inc. or a dealer authorized by GreenBroz, Inc. to sell the products. This warranty only applies to the first retail purchaser and is not transferable to subsequent owners.

What GreenBroz will repair or replace under warranty: GreenBroz, Inc. will repair or replace, at its option, any part that is proved to be defective in material or workmanship under normal use during the applicable warranty period. Warranty repairs and replacements will be made without charge for parts or labor. Anything replaced under warranty becomes the property of GreenBroz, Inc. All parts replaced under warranty will be considered as part of the original product and any warranty on those parts will expire coincidentally with the original product warranty. This Limited Warranty does not cover normal wear and tear including, but not limited to: Cutting Doors and Rollers.

To obtain Warranty Service: Contact GreenBroz, Inc. for a return authorization and instructions for warranty repair replacement.

Exclusions: 1. Any damage or deterioration resulting from neglect of periodic maintenance as specified in any product owner's manual or any improper repair or maintenance.; 2. Neglect, unauthorized alteration, modifications, misuse, incorporation or use of unsuitable attachments or parts.; 3. Damage caused by dirt, pressure or steam cleaning the product, salt water, corrosion, rust, varnish, abrasives, and moisture; or 4. Any product that has ever been declared a total loss or sold for salvage by a financial institution or insurer.; 5. Damage caused by an independent third party that is not the registered owner.

Disclaimer of Consequential Damage and Limitation of Implied Warranties: This limited warranty is in lieu of all other expressed or implied warranties, including any warranty of FITNESS FOR A PARTICULAR PURPOSE OR USE and any implied warranty of MERCHANTABILITY otherwise applicable to this product. GreenBroz, Inc. disclaims any responsibility for loss of time or use of the product, transportation, commercial loss, or any other incidental or consequential damage, including lost profits. There are no warranties extended other than as provided herein. This limited warranty may be modified only by GreenBroz, Inc.

GREENBROZ

HARVESTING SYSTEMS

Precision Sorter



- Sort 1.5+ Lbs. Per Minute
- Whisper Quiet Motor
- HMI Digital User Interface

Model M Dry Trimmer



- Trims 8-12 Lbs. Per Hour
- Adjustable Speed Control (1-20 RPM)
- HMI Digital User Interface

215 Dry Trimmer



- Trims 2-4 Lbs. Per Hour
- Gentle and Quiet
- Food-Grade Stainless Steel & HDPE

Alchemist 215 Trichome Extractor



- 1.5 Cubic Feet Capacity
- Yields 15-25% By Weight
- Fits 1.5-2.5 Lbs. of Trim

Alchemist 420 Trichome Extractor



- 8 Cubic Feet Capacity
- Yields 15-25% By Weight
- Fits Up to 8-10 Lbs. of Trim

215 CannaGin Destemmer



- Process Multiple Stems at a Time
- Destemming Rate Of 4-6 Lbs. Per Hour
- Speed Ranges from 0-80 RPM

Rise Conveyor



- Holds Up To 15 Lbs. at a Time
- Washdown Ready Motor
- Feed Rate up to 3 Lbs. Per Minute

Cartridge Capping System



- 2400/Hr (Threaded Vape Cartridges)
- 1800/Hr (Press Fit Vape Cartridges)
- No Minimum Batch Size

RollPros 500



- 500+ Preroll Joints per Hour
- Filling Accuracy +/- 0.06g
- 91% Labor Reduction vs. Hand Labor