

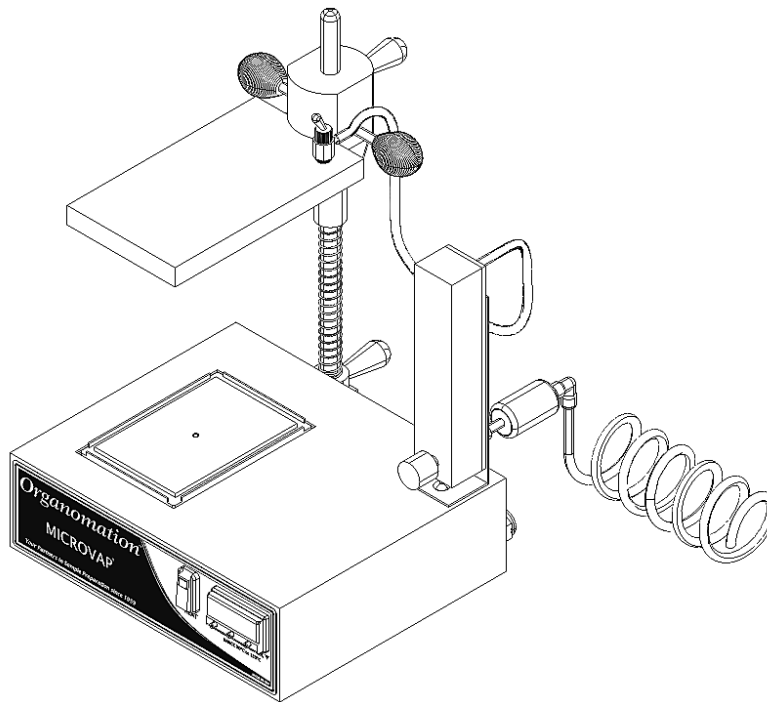
Organomation[®]

MICROVAP[®]

Nitrogen Evaporation System

Models

11801	(Single Plate)
11806	(6 Position)
11815	(15 Position)
11824	(24 Position)



INSTRUCTION MANUAL

266 RIVER ROAD WEST
BERLIN, MA 01503
U. S. A.

Tel: 888-838-7300

Fax: 978-838-2786

Email: sales@organomation.com

Introduction

Instrument Items Shipped	4
Instrument Description	6
Instrument Part Identification	8

Safety Considerations - Read before operation	7
--	----------

Installation

Location	14
Bath Setup	16
Instrument Setup	8

Operation

Instrument Control Identification	20
Planning and Preparation	15
Bath Operation	18
Instrument Operation	21

Maintenance and Cleaning	25
---------------------------------------	-----------

Trouble Shooting	26
-------------------------------	-----------

Technical Information	30
------------------------------------	-----------

Parts List	8
Service and Returns	30
Shipping - Claims for damage or shortage	31
Specifications	32

Items Shipped

Carefully check the contents of all cartons received for damage which may have occurred in transit. Retain all cartons and packaging materials until all components have been checked against the packing slip, the component list below, and the equipment has been assembled and tested. Contact Organomation immediately if any damage or discrepancies are found.

Your shipment should contain one or more of the instruments shown below. Option codes are listed on the next page.

ID #	Instrument Size
11801	Single Plate N-EVAP Nitrogen evaporation system
11806	6 Position N-EVAP Nitrogen evaporation system
11815	15 Position N-EVAP Nitrogen evaporation system
11824	24 Position N-EVAP Nitrogen evaporation system
	Flowmeter Assembly with Mounting Bracket & Connector Tube
NA1421	0-30 LPM for single plate MICROVAP
NA1221	0-10 LPM for 15 position MICROVAP
NA1521	0-20 LPM for 24 position MICROVAP
NA1807	19ga x 2" Stainless Steel Needles, blunt end 8 dz for 1 Position MICROVAP (pre-installed)
NA0603	19ga x 4" Stainless Steel Needles, blunt end 15 each for 15 Position MICROVAP 2 dz for 24 Position MICROVAP
B1801	OA-HEAT heater 180W, for single plate, and 6, 15, 24 position MICROVAP

Option Codes and additional items shipped

The following list contains option codes and items which may have been shipped in conjunction with the standard parts shown on the previous page. Please check your packing list and order information carefully to determine if these items are included in your shipment. For a complete list of available accessories, please refer to the Accessories Section.

Your shipment may contain the following optional items:

Option	Description
-Z	OA-HEAT heating unit has been modified for the Type-Z Purge Intrinsicly Safe bath option (passive operation). Additional parts include: differential pressure gauge, mounting bracket, and tubing.
-2	OA-HEAT heating unit is wired as a 240 Volt unit.

Instrument Description

The MICROVAP Nitrogen Evaporation System is designed for general evaporation and / or concentration of analytical or biological samples in 96 well titer plates or sample tubes under controlled and reproducible conditions. Other micro well plate configurations are available.

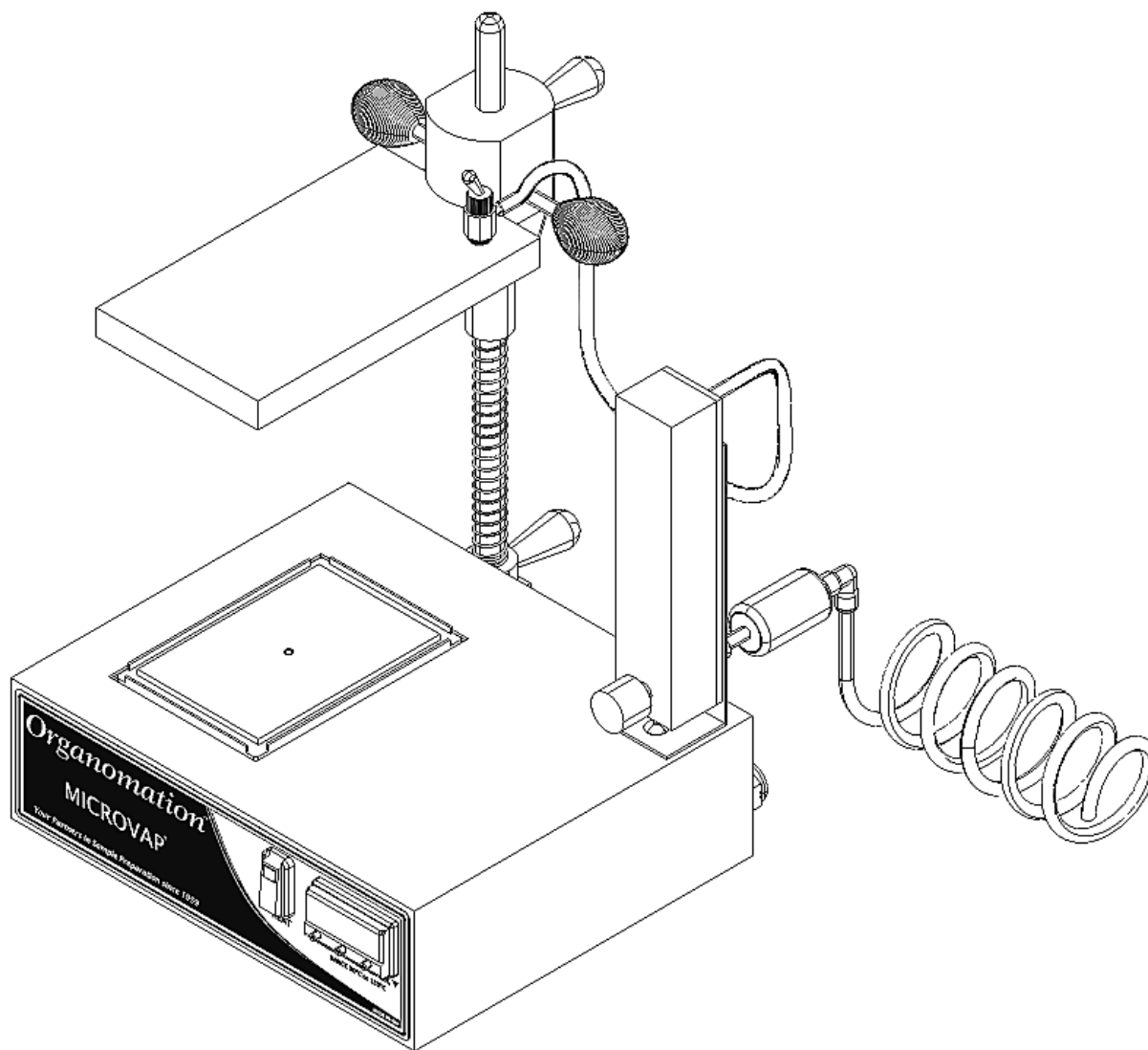


Figure 1:

Single Block MICROVAP;
11801, 11806, 11815, 11824

Safety Considerations

READ THIS SECTION BEFORE EQUIPMENT OPERATION!

This equipment is designed for use in the Analytical or Environmental Laboratory by trained laboratory personnel for evaporative applications. Use of this equipment beyond its stated intended purpose and operating parameters is not recommended and will be the sole responsibility of the user. This equipment should not be modified or altered. Organomation assumes no liability for any misuse of or modification to this product and such misuse or modification will immediately void all warranties.

This equipment should be used in accordance with the operating instructions contained in this manual. For alternative uses not covered in this manual, please contact Organomation technical department for product suitability, safety, and alternative operating instructions.

The following are general safety guidelines recommended when using this product. Please consult your laboratory safety officer for any additional safety steps which may be necessary for your specific application or material.

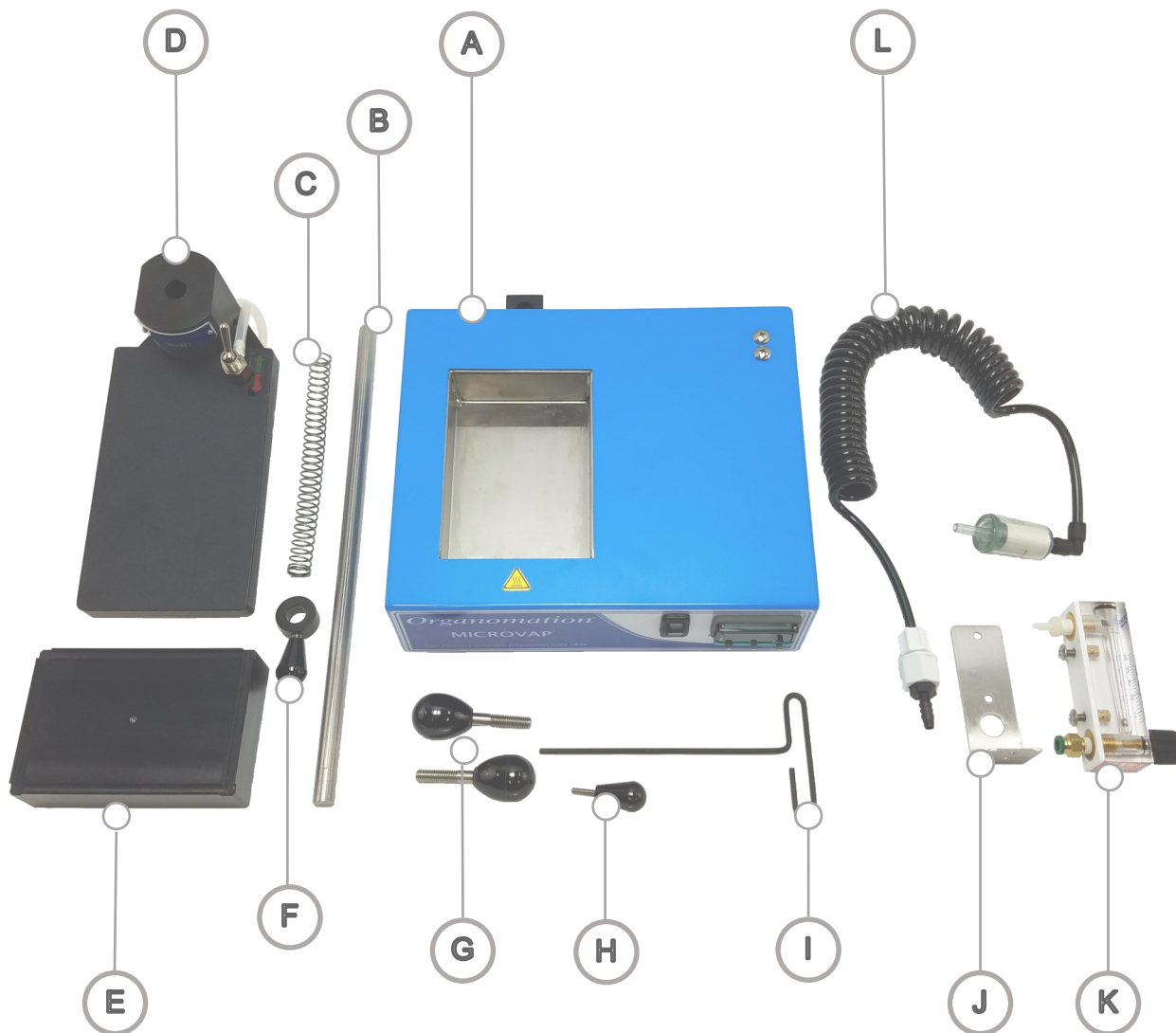
1. Thoroughly review your MSDS (Material Safety Data Sheets) for all chemicals to be used with this equipment.
2. Do not use this equipment with materials with auto ignition points below 150 °C.
3. Hand and eye protection are required when using this product. Additional protection may be required with respect to the materials being used. Please consult your laboratory safety officer.
4. This product should only be used in a chemical fume hood with adequate ventilation.
5. Do not move the product when hot - BURN HAZARD!
6. Do not open bath enclosure while energized - SHOCK HAZARD!
7. Repairs of electrical components should be conducted by a trained electrical technician. Incorrect replacement parts or assembly may damage the product and create a serious safety hazard for the user. Factory repair is recommended.
8. Highly flammable materials such as Petroleum Ether should not be used with this product unless the Type-Z Purge intrinsically safe bath option is installed and operating.
9. Use of acidic or base materials may damage this product and is not recommended unless the product was ordered with the optional corrosion resistant coating.

Assembly Instructions: Single Plate; 6, 15 & 24 POSITION MICROVAP

1

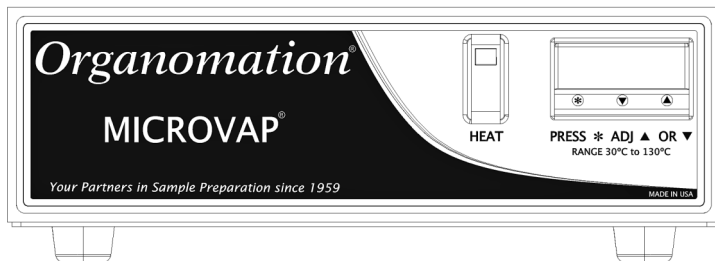
Gather and identify all components.

- | | | | |
|-----------|---------------------|-----------|--------------------------------|
| A. | Heating Unit | G. | Manifold Thumb Screws |
| B. | Stainless Steel Rod | H. | Accessory Thumb Screw |
| C. | Compression Spring | I. | Hex Key [1/8"] |
| D. | Instrument Manifold | J. | Flowmeter Bracket |
| E. | Heat Block | K. | Flowmeter |
| F. | Offset Collar | L. | Coiled Connector Tube Assembly |



Assembly Instructions: Single Plate; 6, 15 & 24 POSITION MICROVAP

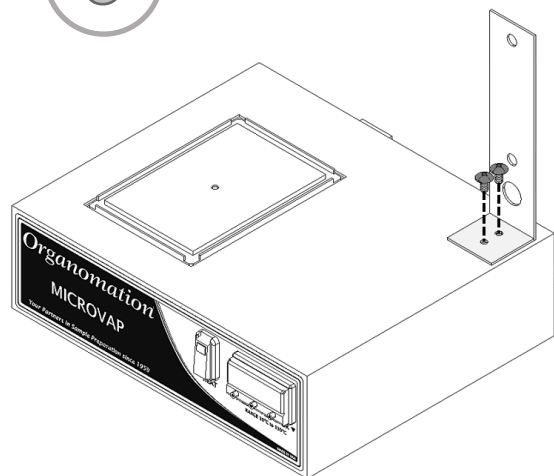
2



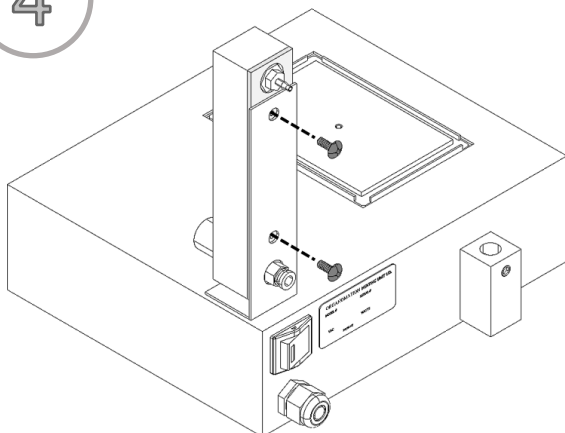
Position heating unit [A] on a flat surface.

3

Remove screws from rear top surface.
Position flowmeter bracket [J] over holes as shown.
Replace screws.



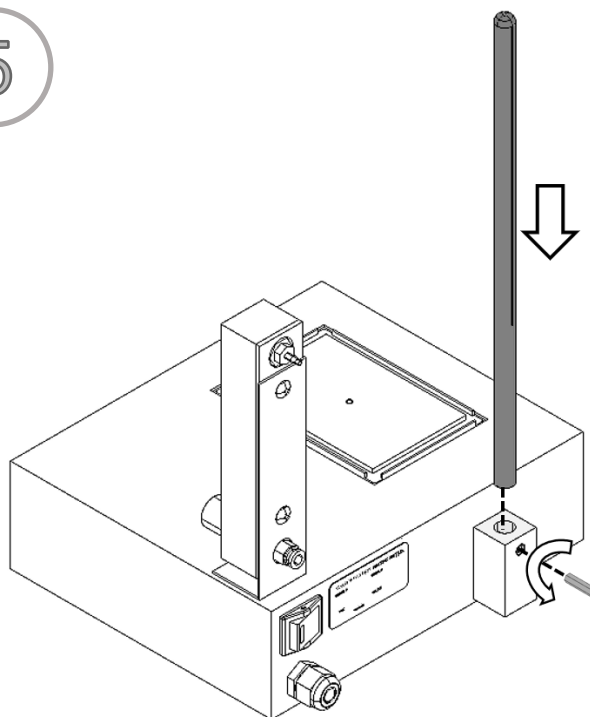
4



Remove screws from rear of flowmeter [K]
Position flowmeter over bracket holes as shown.
Replace screws.

Assembly Instructions: Single Plate; 6, 15 & 24 POSITION MICROVAP

5

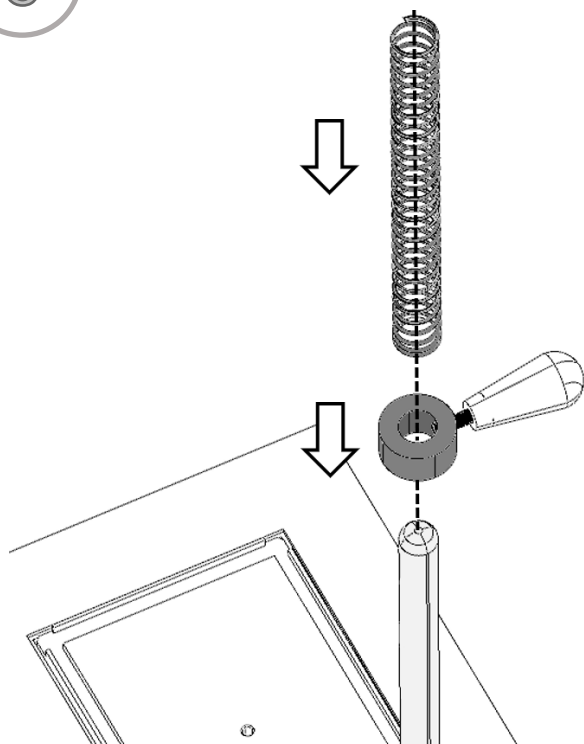


Use the 1/8" hex key [I] to loosen set screw on rear block.

Insert the stainless steel rod [B] into the block with the ball end facing up.

Center the alignment groove on the rod to the back face of the rear mounting block, facing away from the heating unit.

6

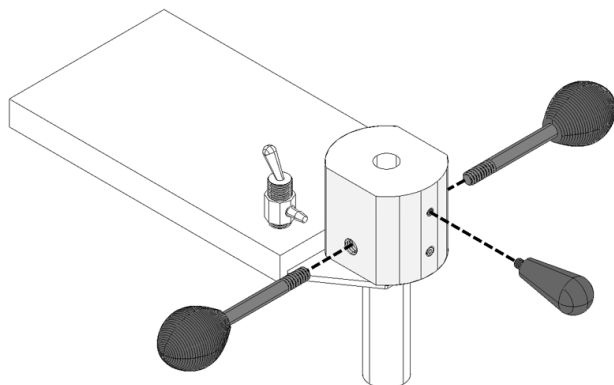


Place the offset collar [F] over the rod and lower until seated on the mounting block.

Place the compression spring [C] over the rod and lower until seated on the offset collar.

Assembly Instructions: Single Plate; 6, 15 & 24 POSITION MICROVAP

7

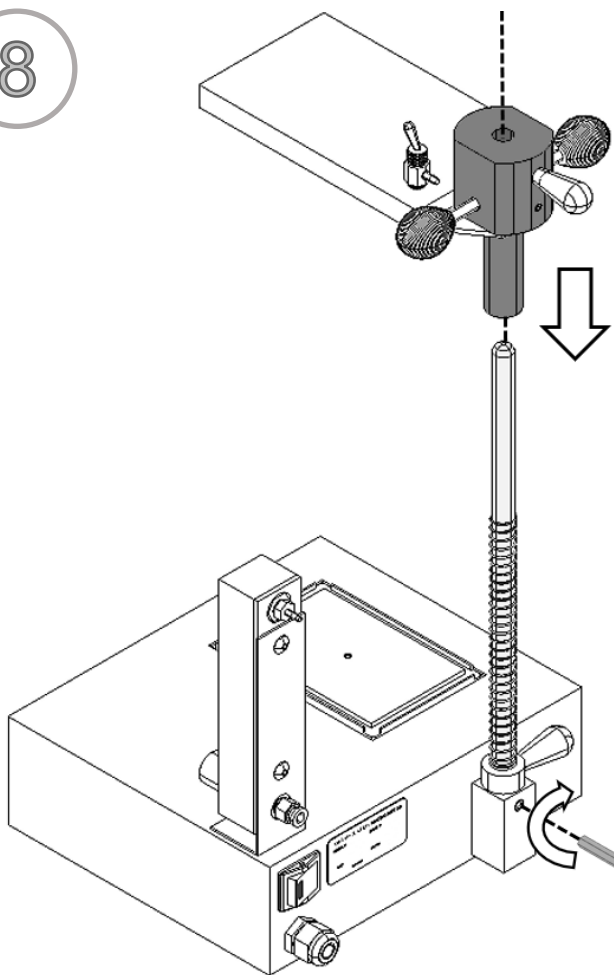


Screw the manifold thumb screws [G] into the sides of the instrument manifold [D].

Screw the accessory thumb screw [H] into the upper back of the instrument manifold.

*Do not over tighten. May damage the threads or the rod when seating.

8



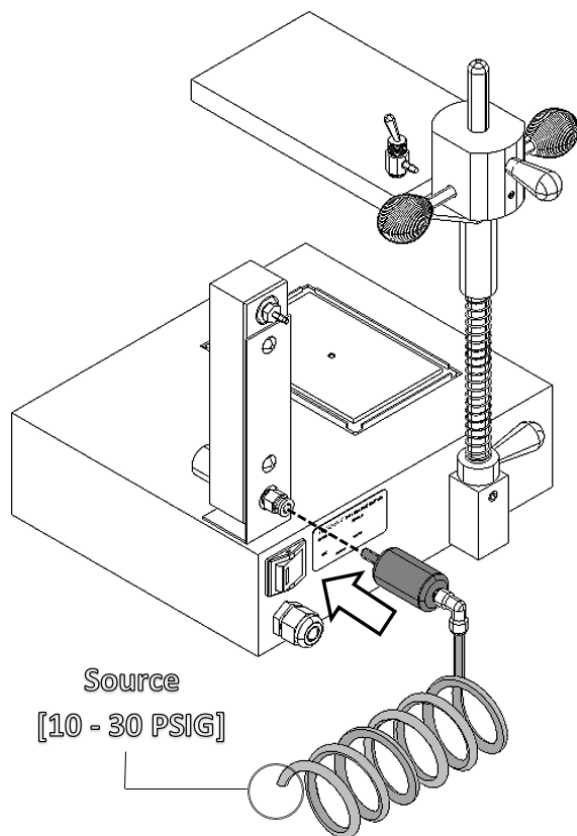
Tighten the set screw to secure rod in place.

Place the instrument manifold over the rod and lower until seated on the offset collar.

*Adjustment may be required for alignment pin in the back of the instrument manifold.

Assembly Instructions: Single Plate; 6, 15 & 24 POSITION MICROVAP

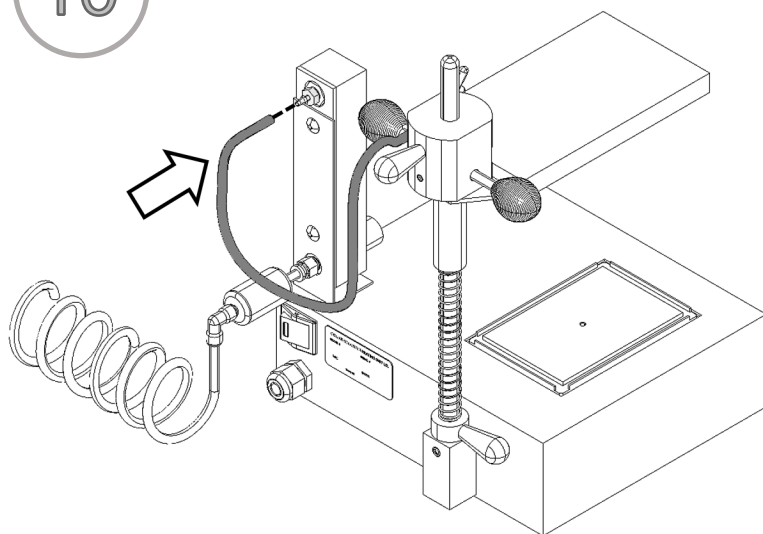
9



Attach the exposed end of the filter, in the coiled connector tube assembly [L], to the lower rear fitting of the flowmeter.

Attach the other end of the connector tube to a suitable gas source (10-30 PSIG).

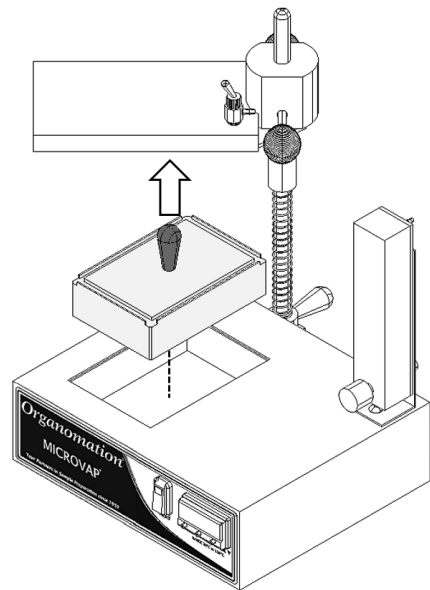
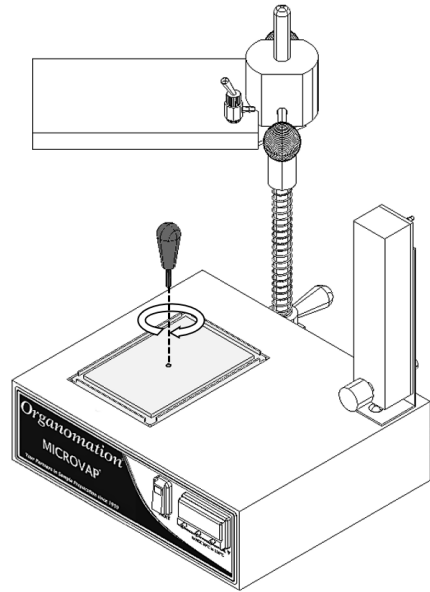
10



Attach the manifold gas tube to the upper fitting on the rear of the flowmeter.

Assembly Instructions: Single Plate; 6, 15 & 24 POSITION MICROVAP

11



Use the accessory thumb screw [H] for easier removal of the heat block.

Location

The MICROVAP Evaporator System should be located on a bench top or in a chemical fume hood if hazardous or flammable materials and solvents are to be used. The location should provide the necessary support services for the instrument. These include electrical power (required for heat unit) and a clean inert gas source (Air or Nitrogen). Please review the Specifications Section for further information.

Heating unit Setup

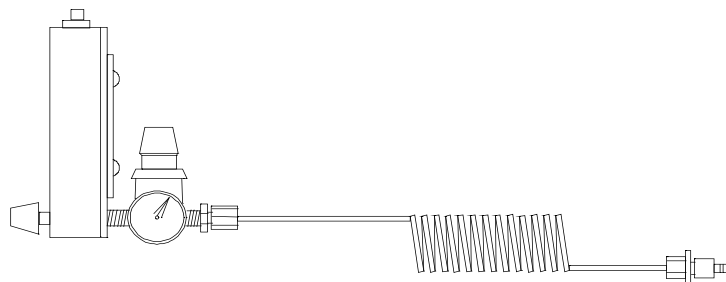
1. Position the unit in a chemical fume hood.
2. Turn the main power switch to the “OFF” position.
3. Plug the bath electrical cord into a 3 wire grounded electrical outlet rated for 110-120 VAC, 50-60 Hz, single phase, 10 amps.

Optional 220 VAC baths are clearly marked and should be plugged into a 3 wire grounded electrical outlet rated for 220-240 VAC, 50-60 Hz, single phase, 10 amps.

4. **Pressure Reducing Regulator Option - If you do not have this option, proceed to the next section.**

When purchased with a MICROVAP System, this item is pre-installed onto the flowmeter, between the flowmeter and the Connector Tube. To install a pressure reducing regulator, please follow the instructions and figure below:

- A. Remove the flowmeter from the bracket.
- B. Remove the Connector Tube and fitting from the flowmeter.
- C. Re-connect the flowmeter to the bracket.
- D. Connect the Pressure Reducing Regulator to the lower fitting on the back of the flowmeter. Position the regulator such that the adjustment knob is straight up and the gauge points away from the bath.
- E. Connect the Connector Tube to the regulator.



Flowmeter Regulator Assembly shown with Gas Connector Tube.

Planning and Preparation

It is important to understand the procedures and equipment operation prior to the use of the equipment. High speed nitrogen evaporation requires a balance of sample volume, nitrogen flow, temperature, needle position and adjustment. Improper use can impair performance, contaminate samples or result in loss of samples. Environmental conditions are also important, examples include use of dry or wet heating media, hood airborne contaminants, gas purge purity, and sample handling procedures. If you are unfamiliar with the use of the MICROVAP System or are working with a new procedure, it is recommended that a trial run be made using a sample blank to determine optimal operating conditions.

The MICROVAP System is designed to handle one to three 96 well plates simultaneously up to the capacity of the equipment. 96 position deep well plates may also be used. Other well plates of different capacities can also be accommodated, consult Organomation for details.

The MICROVAP System is manufactured utilizing inert materials. The white translucent and black coiled tubing used is free of phthalate presence.

Bath Controls Diagram

Picture ID	Description	Function
A	<u>Main Power Switch</u>	Turns power to the unit on and off
B	<u>Digital Temperature Controller</u>	Adjusts the bath temperature
C	<u>Amber Light(s)</u>	Indicates heating when heaters are energized, will cycle at temperature
D	<u>Black Rocker Switch</u>	Heater power to samples

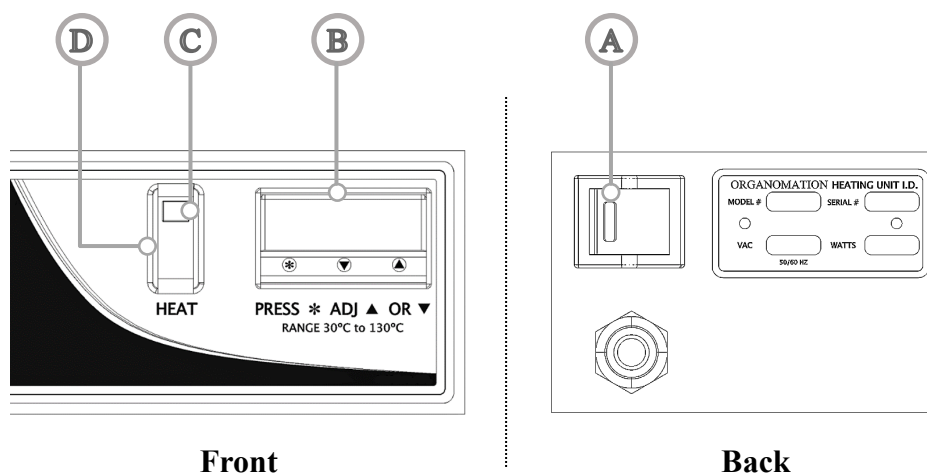


Figure 3:

Layout for 11801, 11806, 11815, 11824

Bath Preparation

The single position MICROVAP is designed to accommodate sample arrays of 6, 15, 24, and 96 positions. Default program settings are dependent on the model purchased. It is important to verify that your CAL3300 Digital Temperature Controller is properly tuned for your application when switching between array configurations.

1. To access the program settings, press and hold both ▲ and ▼ simultaneously until the screen reads **TUNE**
2. Release the arrow buttons, then navigate the menu using either the ▲ or ▼ keys
3. Hold * and press ▲ or ▼ to adjust settings

CAL 3300 Program Settings

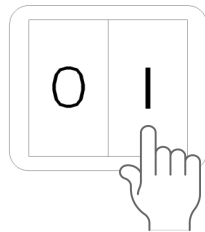
		11801	11806, 11815, 11824
	<i>Function</i>	<i>Setting</i>	<i>Setting</i>
LEVL 1	bAND	10	4.5
	INTE	20	25
	DELT	40	45
	dAC	1.5	4
	CYCLE	80	45
LEVL 2	PL. 1	30	80

***Note:** To navigate between menu levels, hold * and press ▲ or ▼ when the screen reads **LEVL**

4. Once the appropriate settings for your application are confirmed, press and hold both ▲ and ▼ simultaneously to save your settings and complete your setup.

Bath Operation

1



Turn the main power switch [A] on.

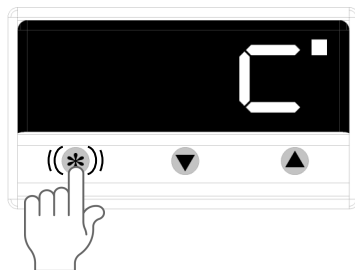
*The illuminated portion should glow.

2

Digital Temperature Controller [B]:

Adjust the digital controller to the desired temperature set point.

2a

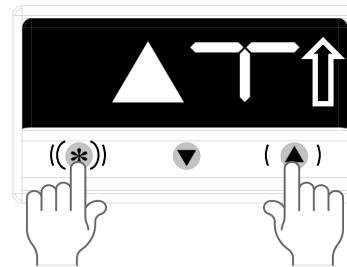


To view the current set point:
hold the * key.

2b

To change the current set point:
hold the * key and press either the ▼ or ▲ keys.

*This setting will be retained even after the system is turned off.



2c



To change the units of measure (°C or °F):
press and hold the ▼ and ▲ keys for 3 seconds.

Navigate to

hold * and press ▲ to adjust to level “2”

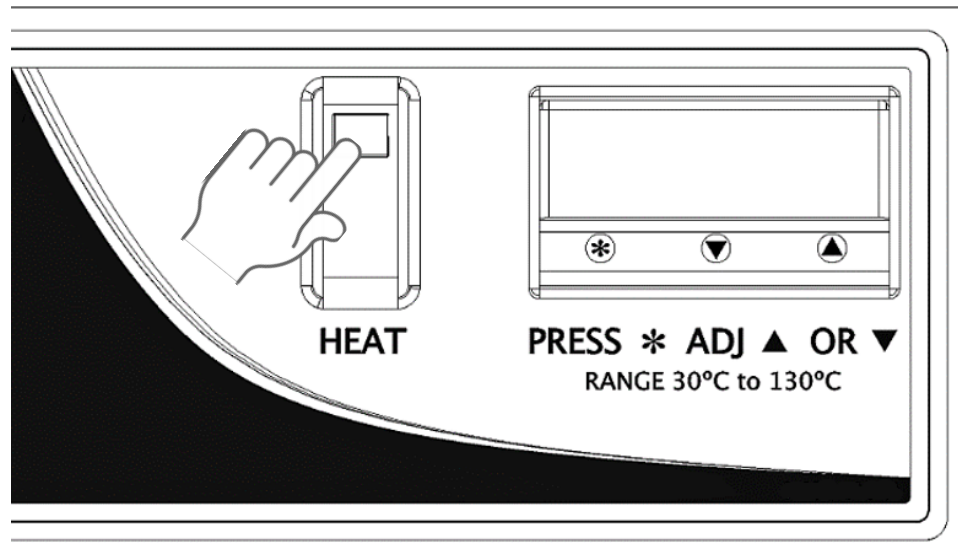
Navigate to

hold * and press ▼ or ▲ to adjust to °C or °F.

Press and hold ▼ and ▲ to save settings.

Bath Operation**3**

Single Block MICROVAP



Press the black rocker switch [D] upwards to power the heaters on.

*Older models may not have idle switch option

Instrument Controls Diagram: Single Plate, 6, 15 & 24 POSITION MICROVAP

Picture ID	Description	Function
E	<u>Thumb Knobs</u>	Locks manifold position when tightened
F	<u>Manifold Gas Valve</u>	Open or close gas flow to distribution manifold
G	<u>Offset Collar</u>	Alters stopping height for manifold
H	<u>Heat Block</u>	Medium for heating samples
I	<u>Flow Meter Valve</u>	Controls flow rate of gas from supply

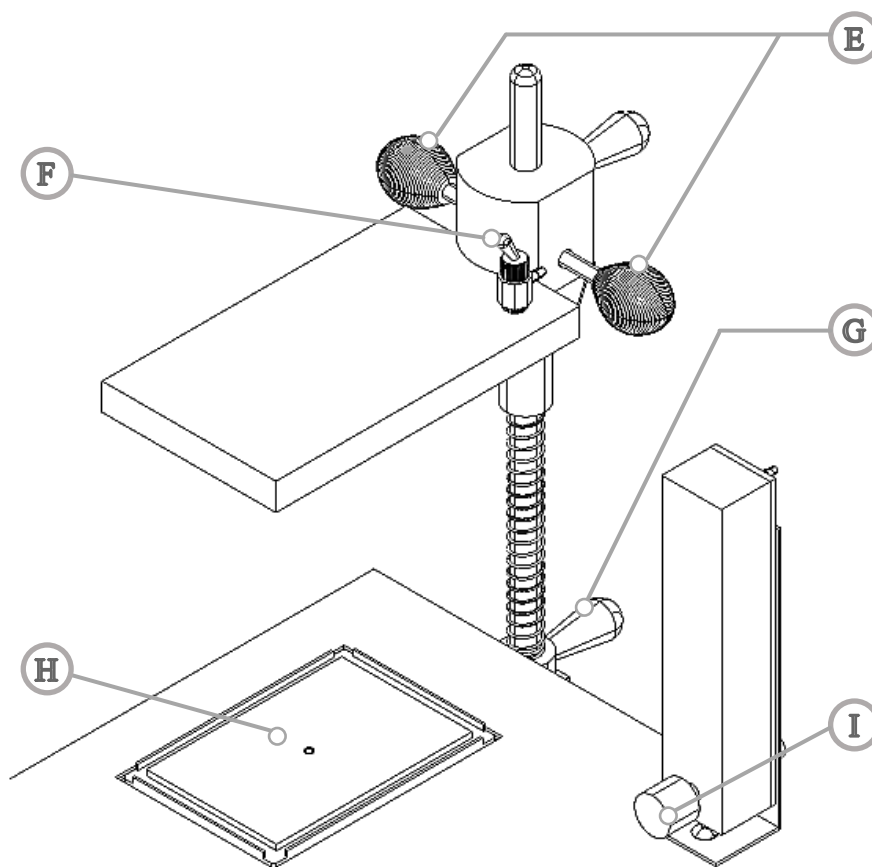
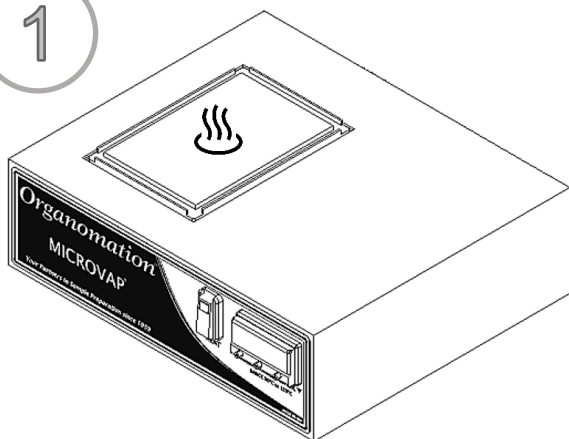


Figure 5: General MICROVAP Layout

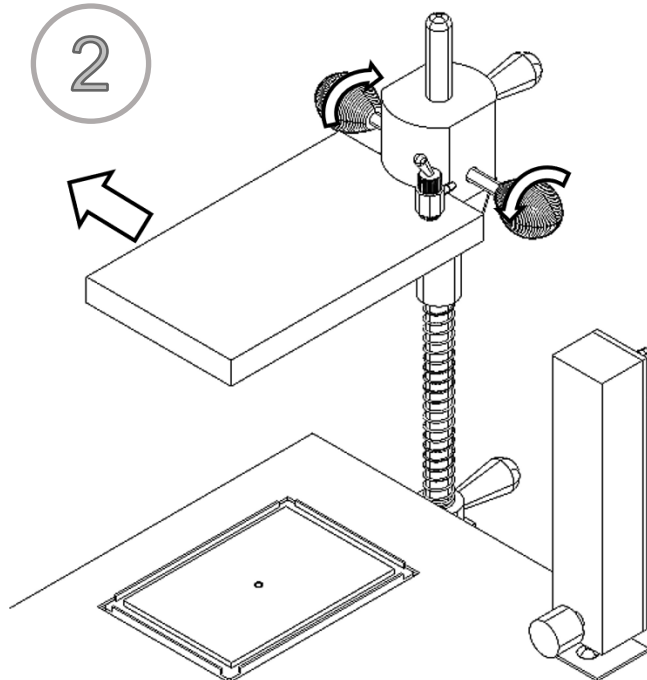
Instrument Operation: Single Plate, 6, 15 & 24 POSITION MICROVAP

1



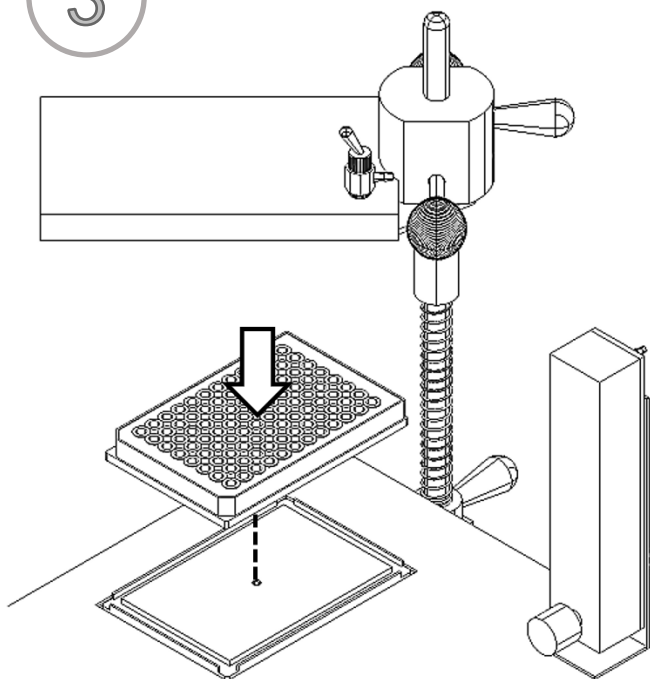
Preheat the heat block.

2



Swing the manifold away.

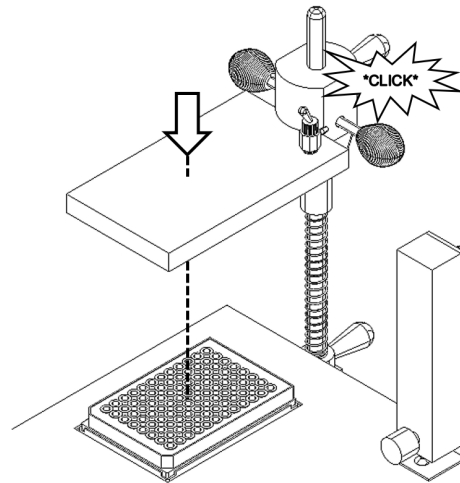
3



Place the well plate, or sample tubes, in the heat block.

Instrument Operation: Single Plate, 6, 15 & 24 POSITION MICROVAP

4



Re-center your manifold above the samples.

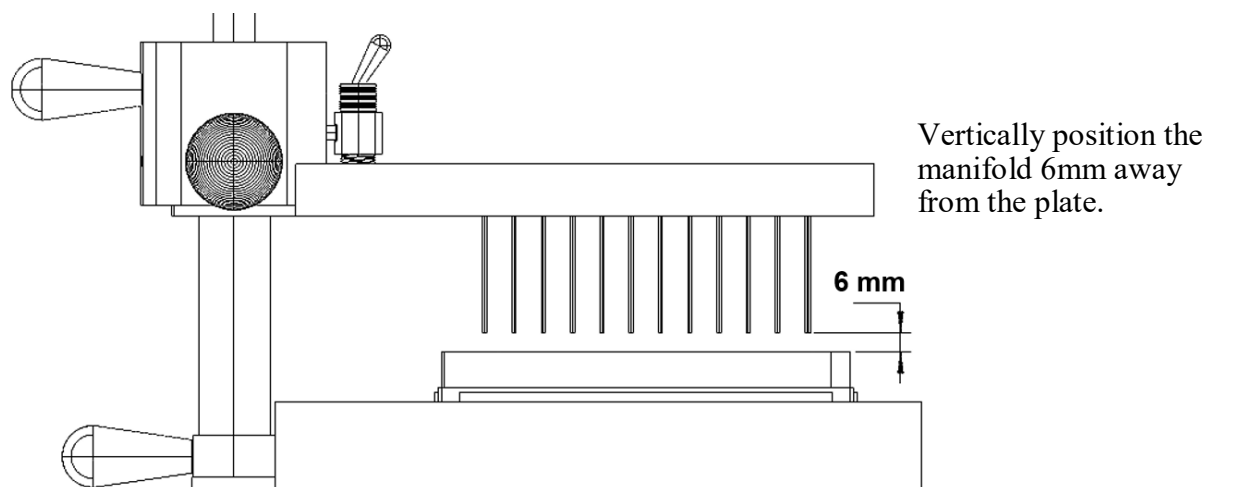
An audible sound will indicate that the manifold is positioned in the alignment groove of the rod.

4a

Loosen the manifold thumb knobs [E] to adjust the instrument manifold along the rod.

4b

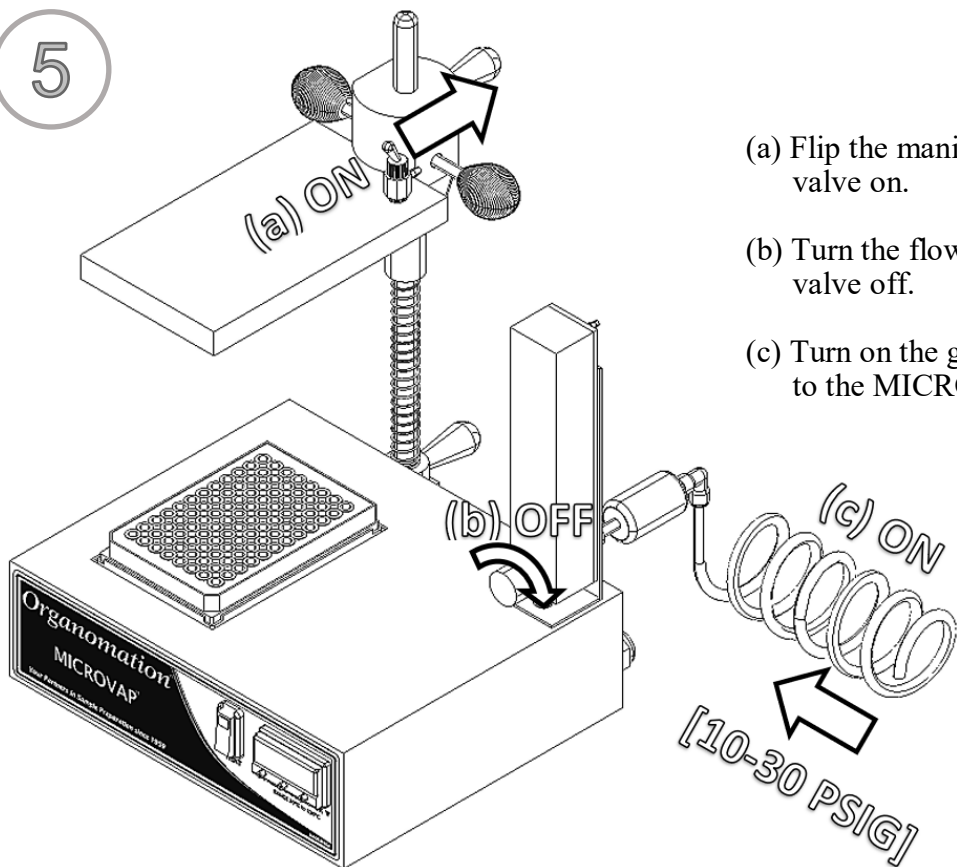
Loosen the offset collar thumb knob [G] to adjust the stopping height of the instrument manifold along the rod.



Vertically position the manifold 6mm away from the plate.

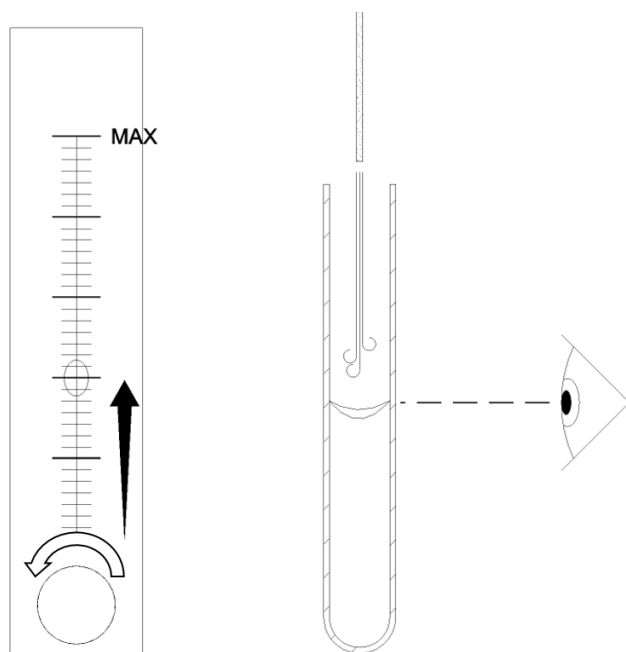
Instrument Operation: Single Plate, 6, 15 & 24 POSITION MICROVAP

5



- (a) Flip the manifold gas valve on.
- (b) Turn the flow meter valve off.
- (c) Turn on the gas supply to the MICROVAP.

6

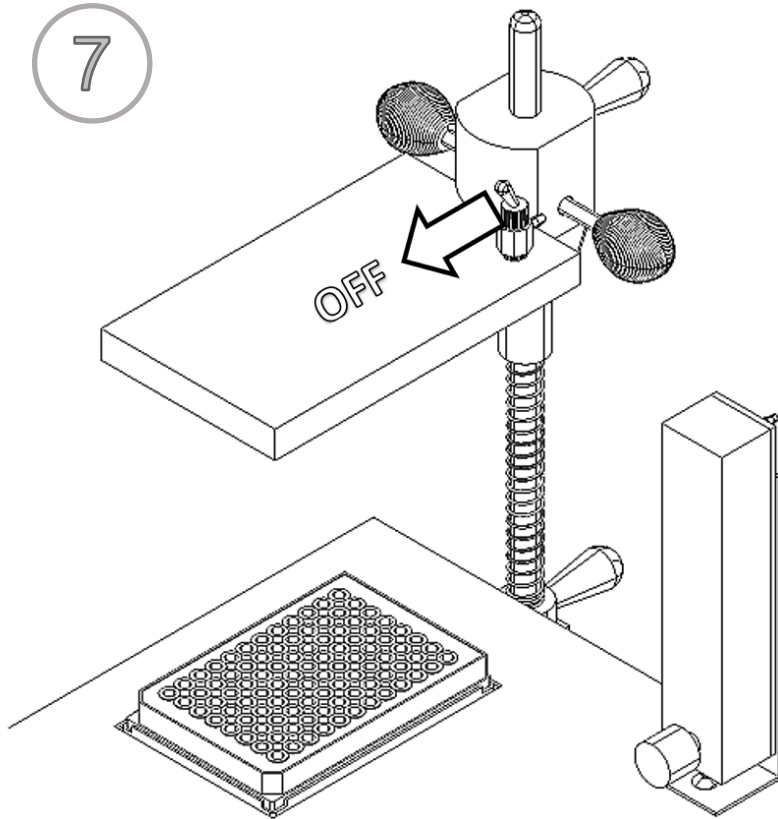


Using the flow meter valve:

Slowly increase the gas flow until a visible dimple appears on the surface of the solution.

Instrument Operation (Post-Evaporation): Single Plate, 6, 15 & 24 POSITION MICROVAP

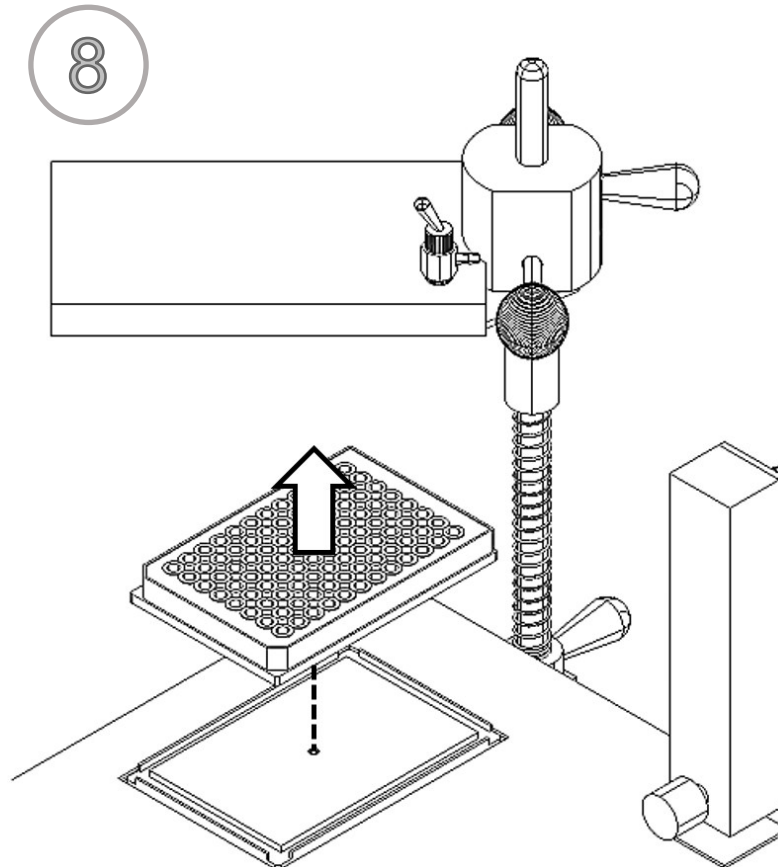
7



Evaporate as necessary.

Turn off the manifold gas valve.

8



Swing the manifold away.

Remove plate or samples.

Maintenance and Cleaning

The MICROVAP Evaporation system is manufactured from extremely durable materials and may last for years if operated and maintained properly. The following guidelines are recommended for use with MICROVAP systems.

- Cleaning - The metal components may be cleaned with a soft cloth or damp sponge.
- Epoxy coated parts (blue in color) should be cleaned with non-abrasive materials only, otherwise scratching will result and the coating will be compromised.
- Acidic Environment - When in contact with or exposed to acidic materials, vapors, or samples. The instrument should be cleaned immediately after use and neutralized with a suitable mild base solution of sodium bicarbonate or similar material followed by a clean water wipe. Prolonged contact with acidic materials may damage the instrument unless precautions are taken.
- Needles - Needles may be cleaned periodically as needed by rinsing the tips with a squirt bottle.
- Immersion - The bath case is water resistant, not water tight. Under no circumstances should the bath be immersed in any liquid or placed in a location where this may occur.

SYMPTOMS	CAUSES	SOLUTIONS
No Power to unit.	Electrical outlet not energized. Unit power cord not plugged in. Internal electrical fault.	Energize electrical outlet. Plug in bath power cord. Contact factory for instructions.
Unit does not heat. (heat light is on)	Bad wire connection. Defective high temperature protection switch. Defective SSR (relay)	Bath will require service, contact factory for instructions.
No temperature control. (temperature continues to rise)	Defective digital control	Replace controller, contact factory for instructions.
Surface deterioration on equipment.	Use of acidic materials in or near equipment.	Clean carefully with soft cloth. Remove source of acidic presence.
Phthalate Contamination	Human error	Purchase Phthalate free tubing. Exercise better handling procedures, avoid latex gloves, hand cream, rubber tubing.
Inconsistent evaporation rates. (or excessive Nitrogen use)	Nitrogen leaks. Missing needles Incorrectly seated hoist assembly	Check all connections, soap/water. Use luer plugs for positions not in use (15& 24 Position only) Lift up assembly and reposition

Calibration of CAL3300 Digital Thermometer

If the controller and heat block temperature readings are different, then the CAL3300 Digital Thermometer will require calibration. The controller readings can be adjusted using both one-point and two-point calibration settings. Calibration at the temperature used most frequently will yield the most accurate results. If this temperature is unknown or if the unit will be used at more than one temperature, then calibration at 45 °C is recommended as a standard mid-range temperature.

One-Point Calibration

To make an equal adjustment across the full scale of the controller, adjust the **2Ero** setting:

1. Determine the temperature discrepancy between the heat block and the controller:
 - a. Heat the bath to a desired temperature set point and wait for the temperature on the controller display to stabilize
 - b. Take a temperature reading on the surface of the heat block with an external thermometer
*Note: You can use a metal block with a hole drilled for the thermometer, placed on the heat block, if you have one available.
 - c. Mark down the temperature discrepancy; where, heat block reading - controller reading = discrepancy.
For example:

Heat block reading = 43 °C
Controller reading = 45 °C
43 - 45 = (-) 2

or,

Heat block reading = 47 °C
Controller reading = 45 °C
47 - 45 = 2

2. Once the temperature discrepancy has been determined, press and hold both ▲ and ▼ simultaneously until the screen reads **tUNE**
3. Release the buttons, and push ▼ until the screen reads **LEVL**
4. Hold * and press ▼ until the screen reads 3, then release *
5. Press ▲ until the screen reads **2Ero**

One-Point Calibration (Continued)

6. Hold * and press ▲ or ▼ to adjust **2E r o** to the calculated discrepancy.
 - Use ▼ for negative (-) values
 - Use ▲ for positive (+) values
7. Once the correction has been entered, release *
8. Press and hold both ▲ and ▼ simultaneously to save the new settings for controller calibration

Two-Point Calibration

When operating the unit at various set point temperatures, then it may be necessary to make an adjustment that increases, or decreases, linearly across the scale to correct a range of errors; to do so, adjust the **SPAN** setting:

1. Determine the temperature range discrepancy between the heat block and the controller, at both the low end and the high end of the scale:
 - a. Heat the bath to a low temperature set point and wait for the temperature on the controller display to stabilize
 - b. Take a temperature reading on the surface of the heat block with an external thermometer (T_1)
*Note: You can use a metal block with a hole drilled for the thermometer, placed on the heat block, if you have one available.
 - c. Mark down the temperature error (E_1); where, heat block reading - controller reading = error.
 - d. Repeat steps 1(a) through 1(c), at a high temperature set point, and mark down the values obtained for T_2 and E_2 .
 - e. To calculate the discrepancy range, substitute the values for T_1 , T_2 , E_1 , and E_2 into the following equation:

$$\frac{E_2 - E_1}{T_2 - T_1} \times 130 = \text{Discrepancy Range}$$

Two-Point Calibration (Continued)

For example:

Low End:

Heat block reading (T₁) = 43 °C
 Controller reading = 45 °C
 Error reading (E₁) = (-) 2 °C

High End:

Heat block reading (T₂) = 94 °C
 Controller reading = 100 °C
 Error reading (E₂) = (-) 6 °C

$$\frac{(-6) - (-2)}{94 - 43} \times 130 = \frac{(-4) \times 130}{51} = (-)10.2$$

2. Once the temperature discrepancy range has been determined, press and hold both ▲ and ▼ simultaneously until the screen reads **TUNE**
3. Release the buttons, and push ▼ until the screen reads **LEVL**
4. Hold * and press ▼ until the screen reads 3, then release *
5. Press ▲ until the screen reads **SPAN**
6. Hold * and press ▲ or ▼ to adjust **SPAN** to the calculated discrepancy range.
 - Use ▼ for negative (-) values
 - Use ▲ for positive (+) values
7. Once the correction has been entered, release *
8. Press and hold both ▲ and ▼ simultaneously to save the new settings for controller calibration

Service and Returns

In the event a product purchased from Organomation needs service or must be returned please follow the outlined procedures below.

1) **Contact Organomation Technical Support Department**

Before returning any product to Organomation Associates for any reason, please contact the Technical Support Department, toll free at 888-838-7300 or email sales@organomation.com Support is available Monday through Friday from 8:30 AM to 4:30 PM EST. Support is available free of charge to customers of Organomation in good standing for all products manufactured by Organomation.

2) **Pack the product for return shipment**

The product should be packaged in its original shipping carton if available. If other packaging is required, use a suitable shipping container which will allow a minimum of two (2) inches clearance between the product and the side walls of the shipping carton. Peanuts, semi rigid foam, cardboard, and other items may be used inside for packaging. Care should be taken when packaging heavy items. Some packaging, such as peanuts, will allow the item to shift in transit and may result in damage.

3) **Insurance**

Most common carriers offer insurance. UPS and Federal Express automatically insure your product up to \$100.00 without charge. It is highly recommended that you insure your product. **Organomation is not liable for any return shipping damages.**

4) **Documentation**

When returning items to Organomation, a Return Authorization Form provided by Organomation must be included with the following information: Contact persons name and phone number, return address, and statement of the problem.

5) **How will your return be handled?**

Organomation will evaluate the returned item for damage. If the return is a repair, the product will be examined for problems and a repair estimate will be made. The contact person will be contacted, at which time a Purchase Order will be requested. After the PO is issued, the product will be repaired and return shipped. Most repairs are done within a 24 hour period. Items returned for credit will be evaluated and your account credited after the item is received. The contact person will be notified immediately in the event shipping damage has occurred.

Shipping - Claims for damage and shortage

Organomation Associates Inc. makes a sincere effort to ensure your purchase is properly packed and all items listed on the packing slip are in fact enclosed with the shipment. In the event that your purchase is damaged or if any items are missing, please follow the procedures below.

- 1) All packaging materials must be retained until the issue is resolved.
- 2) Thoroughly search all packing materials for the missing items. Review your packing list for back ordered items and the manual for a list of items affiliated with your purchase.
- 3) Contact Organomation immediately at 888-838-7300 or sales@organomation.com
- 4) If a damaged item needs to be replaced, Organomation will send this item under warranty at no charge. The damaged item must be returned to Organomation. Please follow the instructions listed in the Service and Returns section. **Important - items not returned or which are further damaged or destroyed in transit are the responsibility of the customer and will be billable.**
- 5) No claims for shipping damage or shortage will be accepted after 15 days of receipt of the items by the purchaser.
- 6) **Please contact Organomation prior to making any returns.**

All items should be returned to:

**Organomation Associates, Inc.
266 River Road West
Berlin, MA 01503**

Specifications

- Electrical Requirements:** 120 or 240 VAC single phase, non switchable, 50 - 60 Hz.
3 wire grounded outlet required.
Model 11801 1 Position unit 180 W
Model 11806 6 Position unit 180 W
Model 11815 15 Position unit 180 W
Model 11824 24 Position unit 180 W
- Water Services Required:** None.
- Gas Services Required:** Nitrogen, clean air, or other inert gas,
5 - 30 Psig, adjustable.
Flow indication standard with all complete N-EVAP[™] systems.
- Sample Sizes Accepted:** 96 well standard and deep titer plates.
6 Position: 10-30mm diameter test tubes
15 Position: 10-22mm diameter test tubes
24 Position: 10-17mm diameter test tubes
Consult factory for optional smaller & larger sizes.
- Sample Types Utilized:** Organic Solvents with Boiling Point range 30 - 130 Celsius.
Water and aqueous solutions.
- Safety Provisions:** 3 wire grounded power cord.
High Temperature Protection Switch
Digital temperature controlled unit.
Optional Type-Z intrinsically safe bath purge.