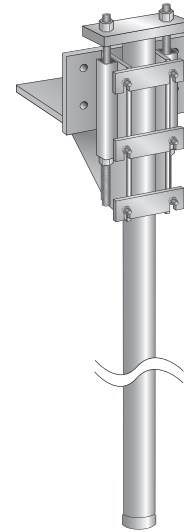


The ECP Steel Pier

The Patented ECP PPB-300 steel pier is the standard in steel underpinning. Our design and engineering allows you to use ECP push pier technology to structurally underpin foundations down to a true load bearing stratum. The steel pier design penetrates the soil deeply beyond the active expansive clay soils to support structures from either the interior or exterior of the structure. ECP, the leaders in steel pier technologies, is known for the strongest and deepest driving pier systems available.



Commercial Structural Repair Available for the Residential Market!

The ECP PPB-300 Steel Pier provides a two-stage system of driving steel pilings to a verified bearing stratum, then, using our unique manifold system, you can now recover lost elevation of the structure. The PPB-300 pier system can close cracks in masonry and restore other flaws such as separations at doors and windows caused by settlement. The ECP PPB-300 is “Designed and Engineered to Perform”.

Quiet, vibration free, equipment is used to install ECP steel piers. The equipment is portable for easy access in hard to reach areas such as basements and low overhead access areas. Installation is all below ground and is then covered so upon completion there will be no visible signs that a repair was performed. If you need your home structurally repaired due to settlement the ECP PPB-300 will give your foundation a lifetime of support.

Designed to be the strongest foundation structural support in the industry

- Made of galvanized steel pier material
- Individually field tested
- Sturdy enough for commercial foundations
- Installs with portable hydraulic equipment
- Designed by engineers for homeowners

Creates a deep foundation that exceeds your home's original structural strength!

**EARTH
CONTACT
PRODUCTS**

1-866-327-0007

15612 S Keeler Terr.

Olathe, Ks 66062

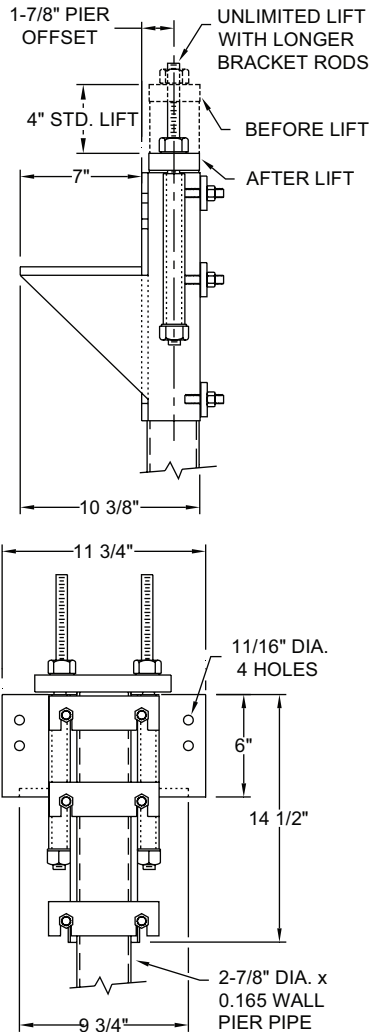
Phone: 913-393-0007

Fax: 913-393-0008

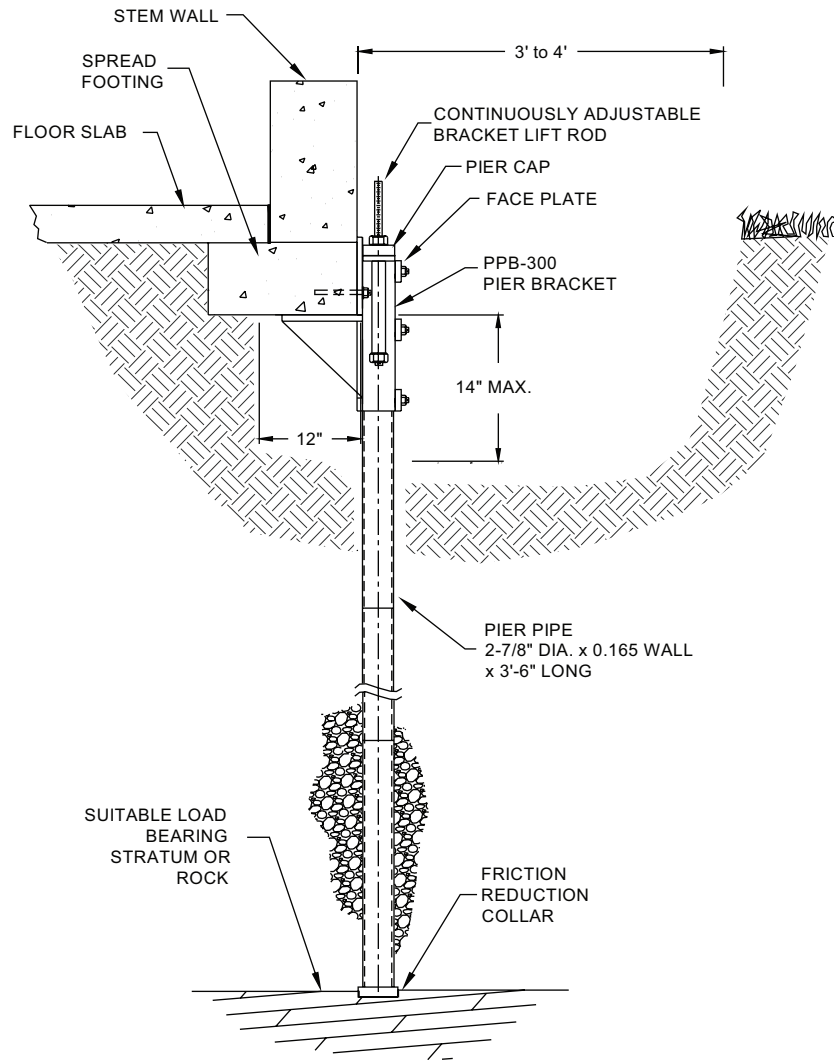
info@getecp.com

www.getecp.com

ECP Steel Pier™ - PPB-300 Pier System



**PPB-300
Utility Bracket Details**



**PPB-300 Utility Bracket
Application Drawing**

- Ultimate Capacity – 68,000 lb
- Standard Lift – 4"
- Fully Adjustable Unlimited Lift Capability
- Installs From Outside or Inside Structure
- Installs With Portable Equipment
- Installed With Little or No Vibration
- Installs To Rock or Verified Load Bearing Stratum
- 100% of Piers Field Load Tested During Installation

**EARTH
CONTACT
PRODUCTS**

1-866-327-0007

15612 S Keeler Terr.
Olathe, Ks 66062
Phone: 913-393-0007
Fax: 913-393-0008
info@getecp.com
www.getecp.com