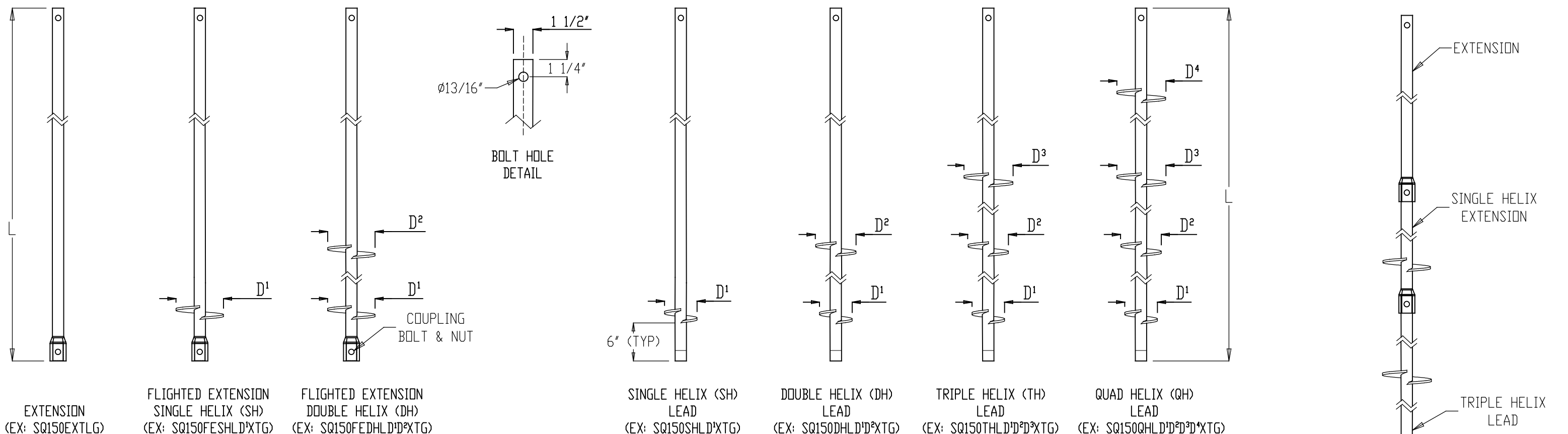


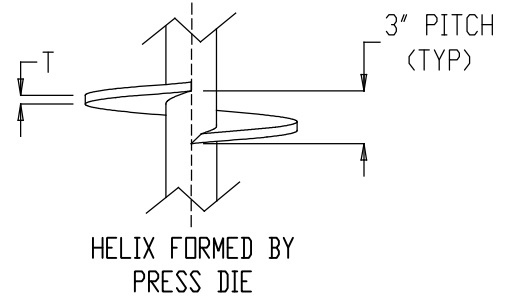
MAXIMUM TORQUE NOT TO EXCEED 7,000 FT LBS.
 ULTIMATE CAPACITY IS 70 KIPS BASED ON A CAPACITY TO
 TORQUE RATIO OF $K_t = 10 \text{ ft}^{-1}$.

1 1/2" ROUND CORNER SQUARE SHAFT HELICAL PILE LEADS & EXTENSIONS ICC-ES AC358 - REPORT # ESR-3750



NOTES:

- SHAFT TO MEET OR EXCEED REQUIREMENTS OF ASTM A29-15/A576-90B, 90 KSI.
- HELIX TO MEET OR EXCEED REQUIREMENTS OF ASTM A572/A1018/A656, 50 KSI.
- ALL HELICES ARE FORMED BY PRESS DIE. LEADING EDGE OF HELICES ARE TAPERED TO IMPROVE INSTALLATION CAPABILITIES.
- HELIX SPACING IS THREE (3) TIMES THE DIAMETER OF THE LOWER HELIX. SPACING OF LEADING HELIX ON FLIGHTED EXTENSIONS IS THREE (3) TIMES THE DIAMETER OF THE LAST HELIX ON THE PRECEEDING SHAFT.
- STANDARD HELIX DIAMETERS ARE 8", 10", 12", & 14". STANDARD HELIX THICKNESS IS 3/8" OR 1/2".
- ALL WELDING TO BE PERFORMED BY SHOP QUALIFIED WELDORS TO AWS D1.1 STRUCTURAL WELDING CODE - STEEL.
- HOT DIP GALVANIZING PER ASTM A153/ASTM A123.
- (1) 3/4" DIAMETER X 3" LONG GALVANIZED HEAVY HEX BOLT PER ASTM A325 AND (1) 3/4" GALVANIZED HEAVY HEX NUT PER ASTM A194 (GRADE 2H).
- HELICAL PILE ASSEMBLIES MANUFACTURED IN ACCORDANCE WITH ICC-ES AC358 (IDEAL REPORT #ESR-3750) ACCEPTANCE CRITERIA FOR HELICAL FOUNDATION SYSTEMS AND DEVICES.



IDEAL PART # ABBREVIATIONS:
 SQ = ROUND CORNER SQUARE SHAFT
 150 = SHAFT THICKNESS
 EXT = EXTENSION
 FE = FLIGHTED EXTENSION
 SH, DH, TH, QH = SINGLE, DOUBLE, TRIPLE, OR QUAD. HELIX
 L = SHAFT LENGTH IN FEET (EXAMPLE: 7' = 7)
 D = HELIX DIAMETER(S) IN INCHES (EXAMPLE: 10" = 10)
 X = X (SEPARATES HELIX DIAMETER(S) AND HELIX THICKNESS)
 T = HELIX THICKNESS (EXAMPLE: 1/2" = 12)
 G = GALVANIZED

IDEAL Group

PROPRIETARY AND CONFIDENTIAL
 THE INFORMATION CONTAINED IN THIS DRAWING IS THE SOLE PROPERTY OF IDEAL MANUFACTURING, INC. ANY REPRODUCTION IN PART OR AS A WHOLE WITHOUT WRITTEN PERMISSION OF IDEAL MANUFACTURING, INC. IS PROHIBITED.

DRAWING NO.	SQ150	IDEAL MANUFACTURING, INC. 999 PICTURE PARKWAY WEBSTER, NY 14580 800-789-4810
DRAWN BY: LRS	DATE: 06/28/17	Rev: DD NOT SCALE DRAWING

SHEET 1 OF 1