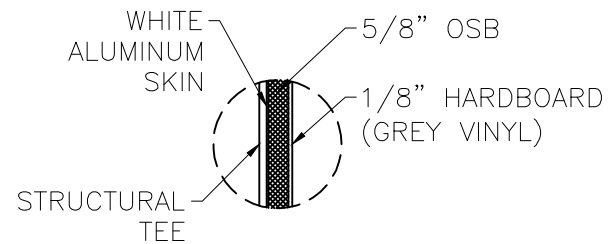
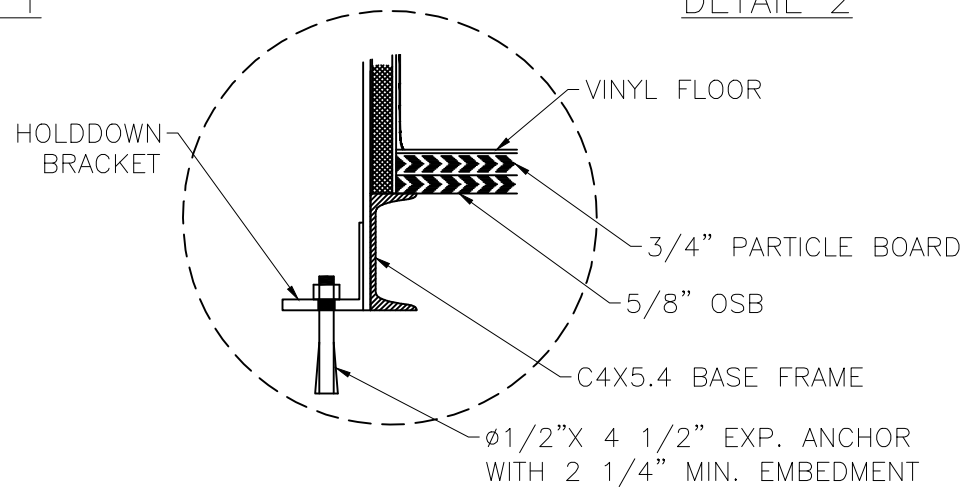


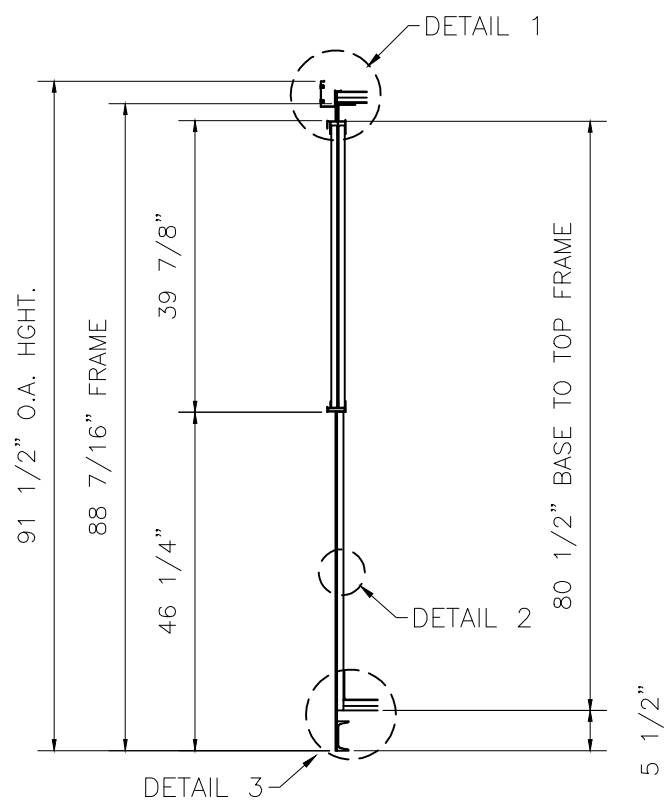
DETAIL 1



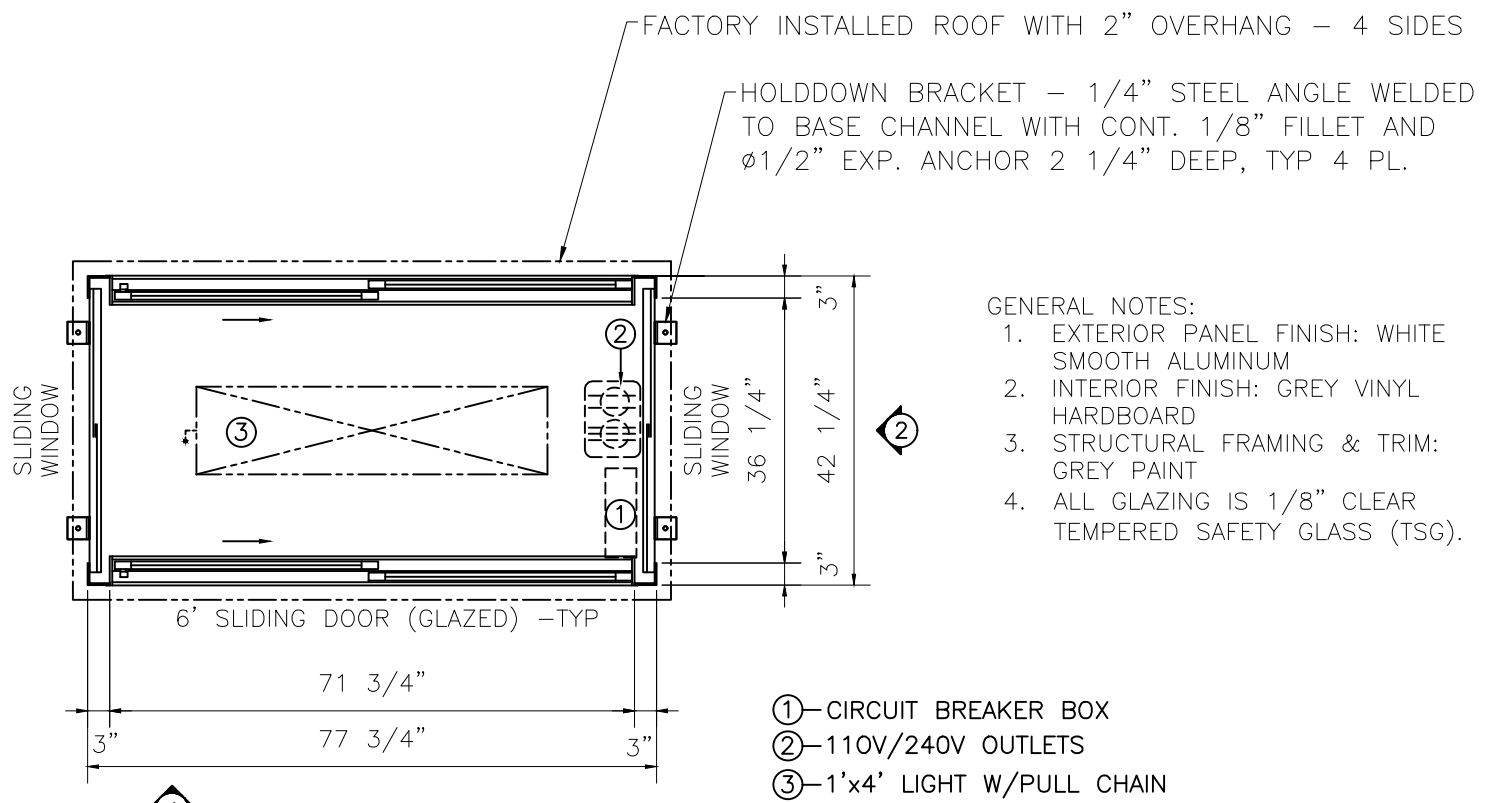
DETAIL 2



DETAIL 3



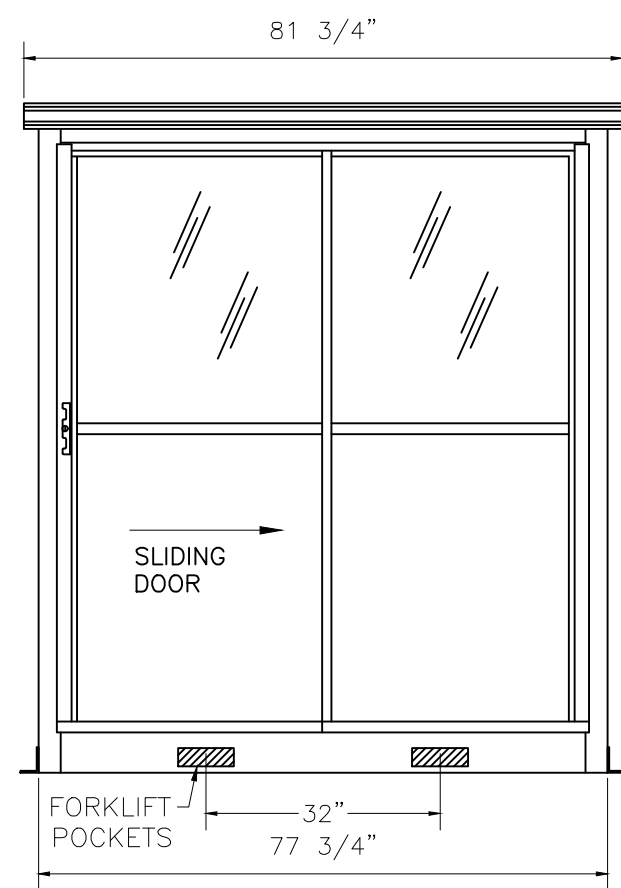
WALL SECTION - TYPICAL



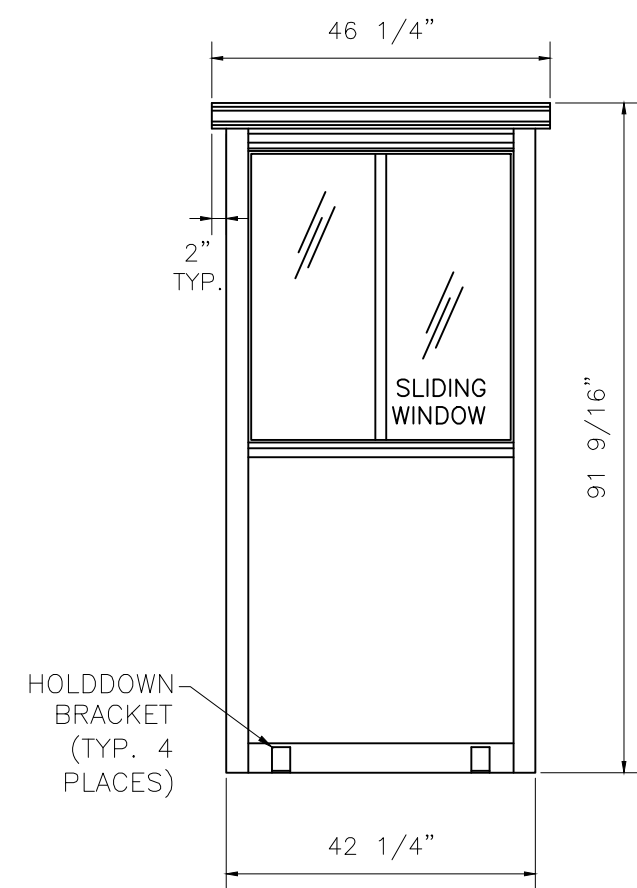
FLOOR PLAN

- ① - CIRCUIT BREAKER BOX
- ② - 110V/240V OUTLETS
- ③ - 1'x4' LIGHT W/PULL CHAIN

- GENERAL NOTES:
1. EXTERIOR PANEL FINISH: WHITE SMOOTH ALUMINUM
  2. INTERIOR FINISH: GREY VINYL HARDBOARD
  3. STRUCTURAL FRAMING & TRIM: GREY PAINT
  4. ALL GLAZING IS 1/8" CLEAR TEMPERED SAFETY GLASS (TSG).



① ELEVATION



② ELEVATION

Revisions	
No.	Date:
Description/By:	
Description/By:	
Description/By:	
Description/By:	

**STARRCO**  
 Revolutionizing Interior Construction  
 11700 Fairgrove Industrial Boulevard  
 Maryland Heights, Missouri 63043-3436  
 (314) 567-5533 1-800-325-4259  
 Fax (314) 567-7555 e-mail:starrco@starrco.com  
 http://www.starrco.com

Dealer: STARRCO  
 Customer: STARRCO

Drawing Title: Model 36-1 PAB

Job No.:  
 Checked By:  
 Drawn By: SN  
 Date:  
 Scale: N.T.S.  
 Sheet No. A1