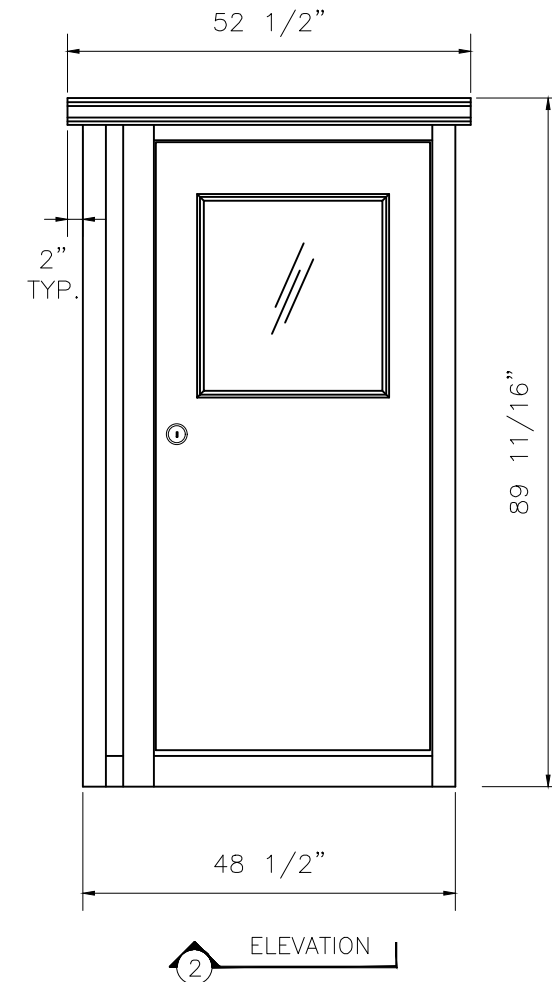
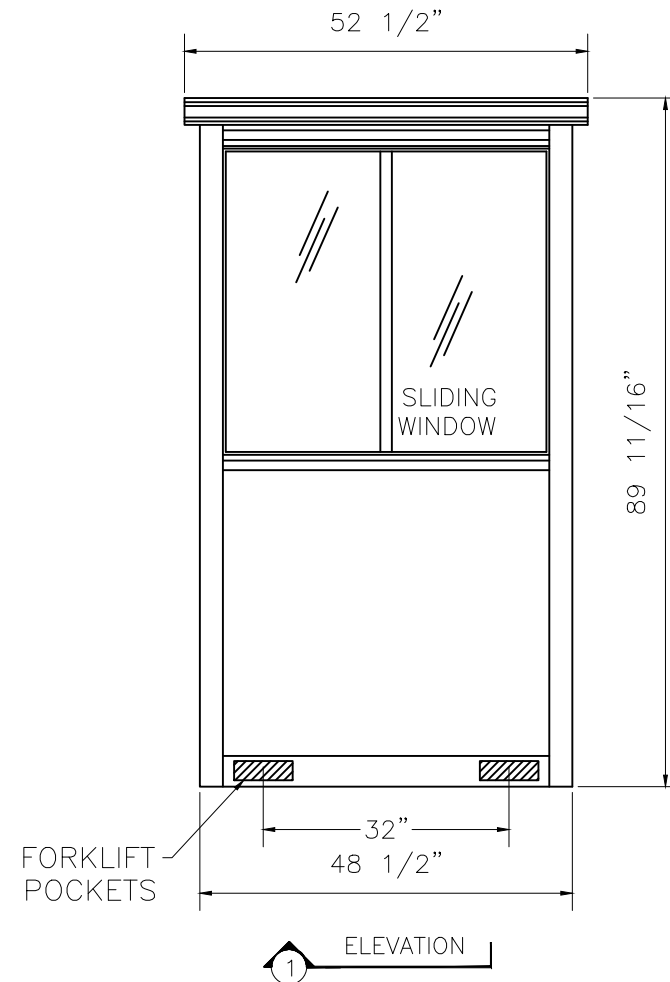
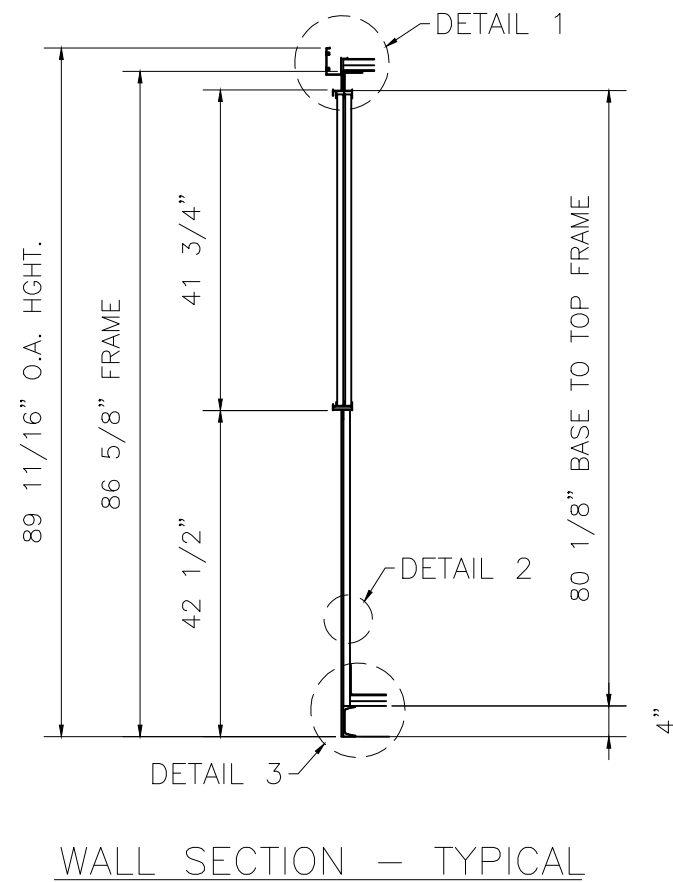


- GENERAL NOTES:
1. EXTERIOR PANEL FINISH: WHITE SMOOTH ALUMINUM
 2. INTERIOR FINISH: GREY VINYL HARDBOARD
 3. STRUCTURAL FRAMING & TRIM: GREY PAINT
 4. ALL GLAZING IS 1/8" CLEAR TEMPERED SAFETY GLASS (TSG).

- ① - CIRCUIT BREAKER BOX
- ② - 110V/240V OUTLETS
- ③ - 1'x4' LIGHT W/PULL CHAIN



Revisions

No.	Date	Description

STARRCO
 Revolutionizing Interior Construction
 11700 FAIRGROVE INDUSTRIAL BOULEVARD
 MARYLAND HEIGHTS, MISSOURI 63043-3436
 (314) 567-5533 1-800-325-4259
 FAX (314) 567-7555 E-mail: starrco@starrco.com
 http://www.starrco.com

Dealer **STARRCO** Customer **STARRCO**

Drawing Title: **PAB Model 43-1**

Job No.: _____

Checked By: _____

Drawn By: **SN**

Date: _____

Scale: **N.T.S.**

Sheet No. _____

A1

