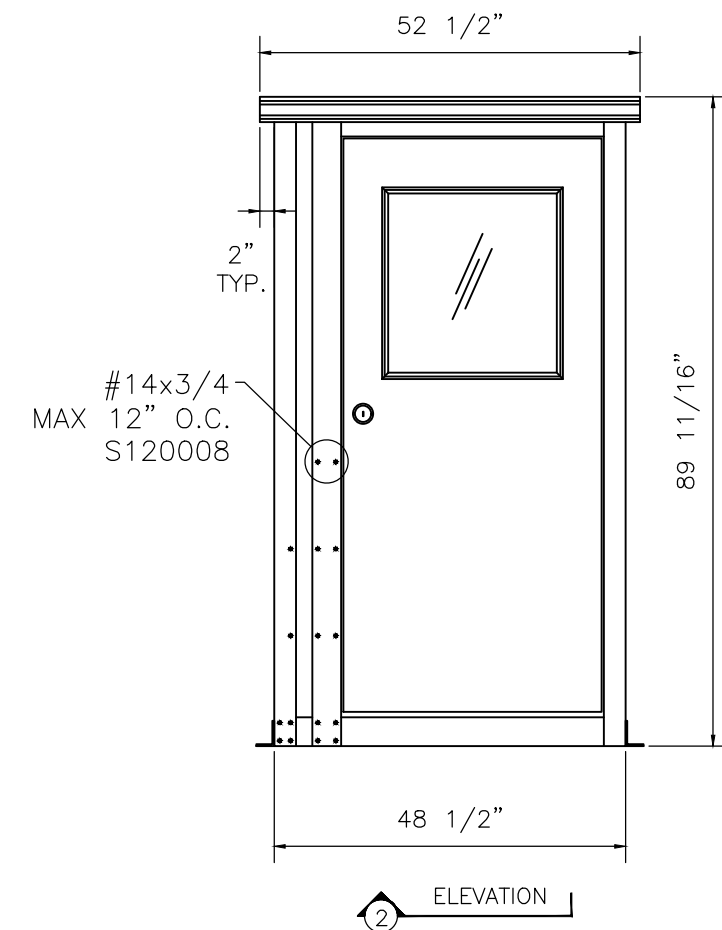
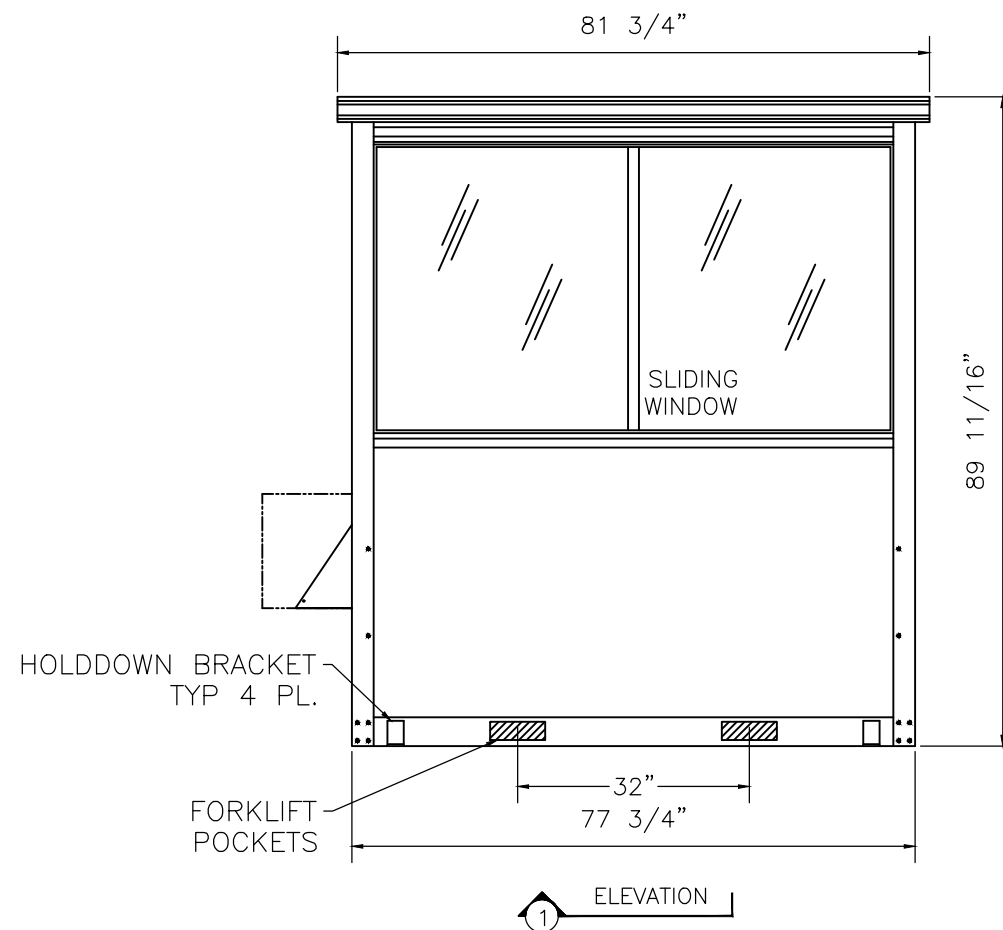
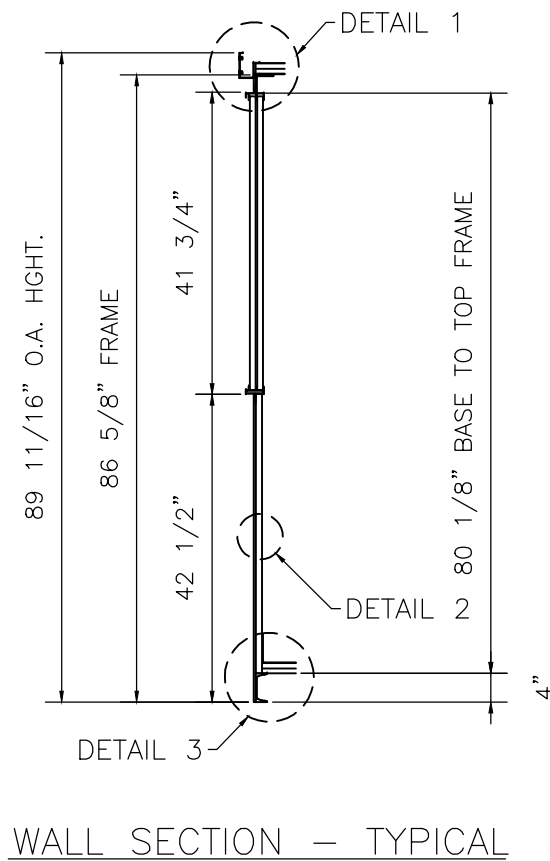


- GENERAL NOTES:
1. EXTERIOR PANEL FINISH: WHITE SMOOTH ALUMINUM
 2. INTERIOR FINISH: GREY VINYL HARDBOARD
 3. STRUCTURAL FRAMING & TRIM: GREY PAINT
 4. ALL GLAZING IS 1/8" CLEAR TEMPERED SAFETY GLASS (TSG).

- ① - C.B. BOX
② - 110V/240V OUTLETS
③ - 1'x4' LIGHT W/PULL CHAIN
④ - HVAC, 10000 BTU COOL/10600 BTU HEAT-230V(AJEQ10DCH)



Revisions

No.	Date	Description

STARRCO
Revolutionizing Interior Construction

11700 FARGROVE INDUSTRIAL BOULEVARD
MARYLAND HEIGHTS, MISSOURI 63043-3436
(314) 567-5553 1-800-325-4259
FAX (314) 567-7555 E-mail: starrco@starrco.com
http://www.starrco.com

Dealer **STARRCO**
Customer **STARRCO**

Drawing Title
PAB Model 46

Job No.:
Checked By:
Drawn By: SN
Date:
Scale: N.T.S.
Sheet No.

A1