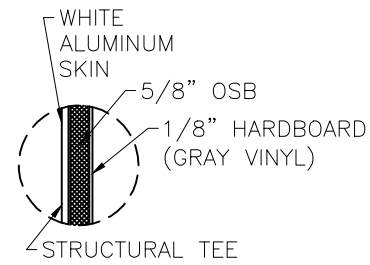
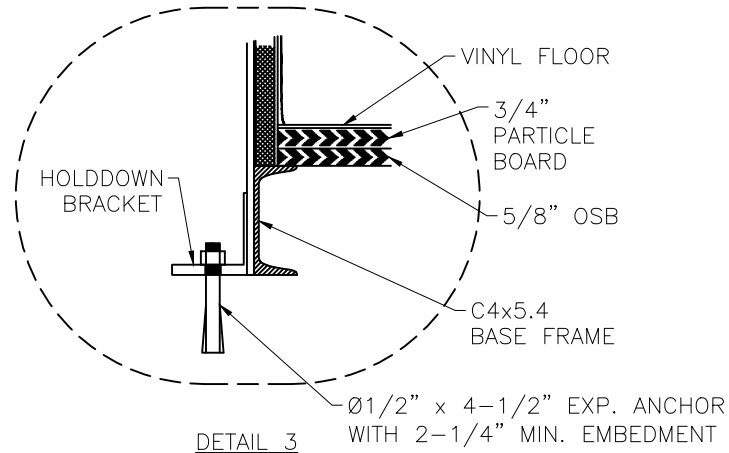


DETAIL 1



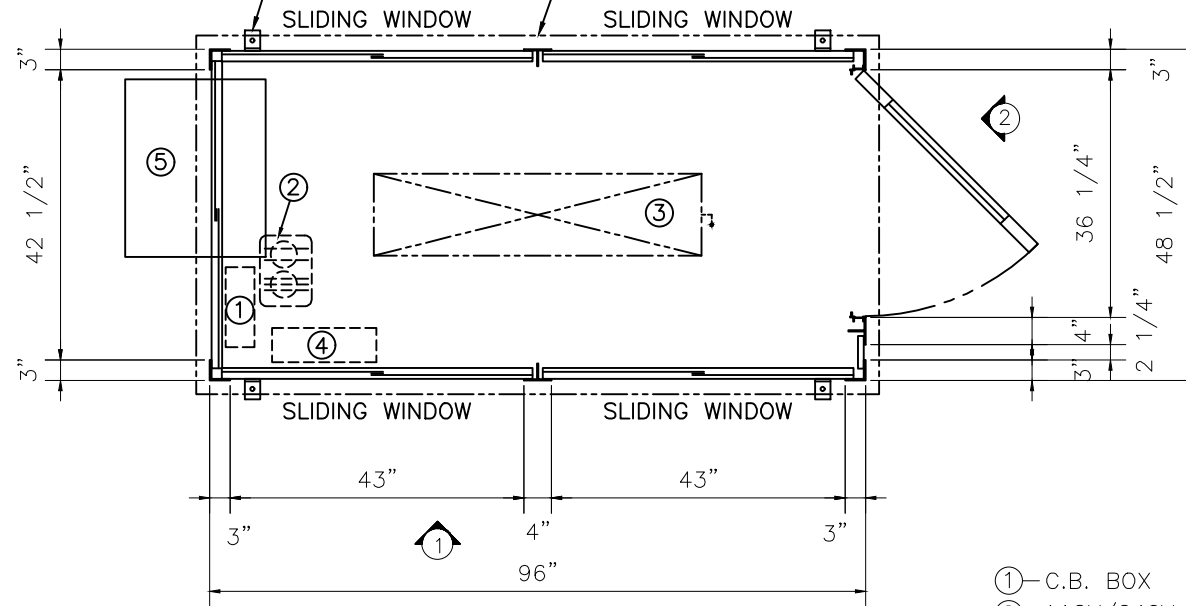
DETAIL 2



DETAIL 3

HOLDDOWN BRACKET - 1/4" STEEL ANGLE WELDED TO BASE CHANNEL WITH CONT. 1/8" FILLET AND Ø1/2" EXPANSION ANCHOR 2 1/4" DEEP, TYP. 4 PLACES

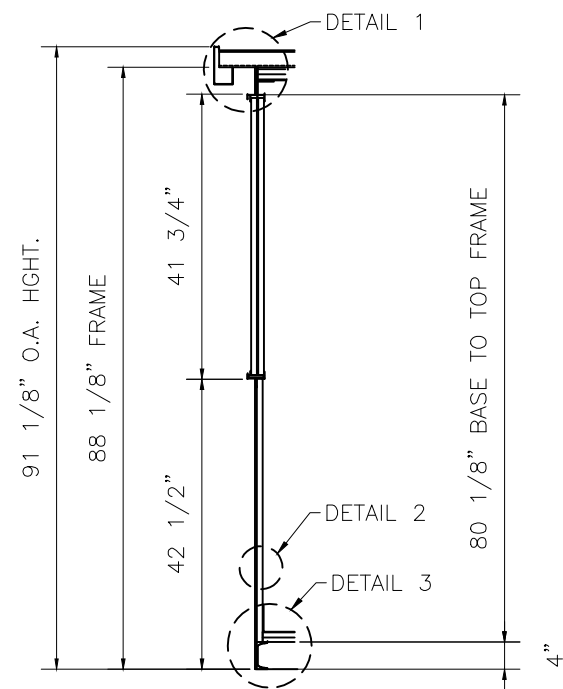
FACTORY INSTALLED ROOF WITH 2" OVERHAND - 4 SIDES



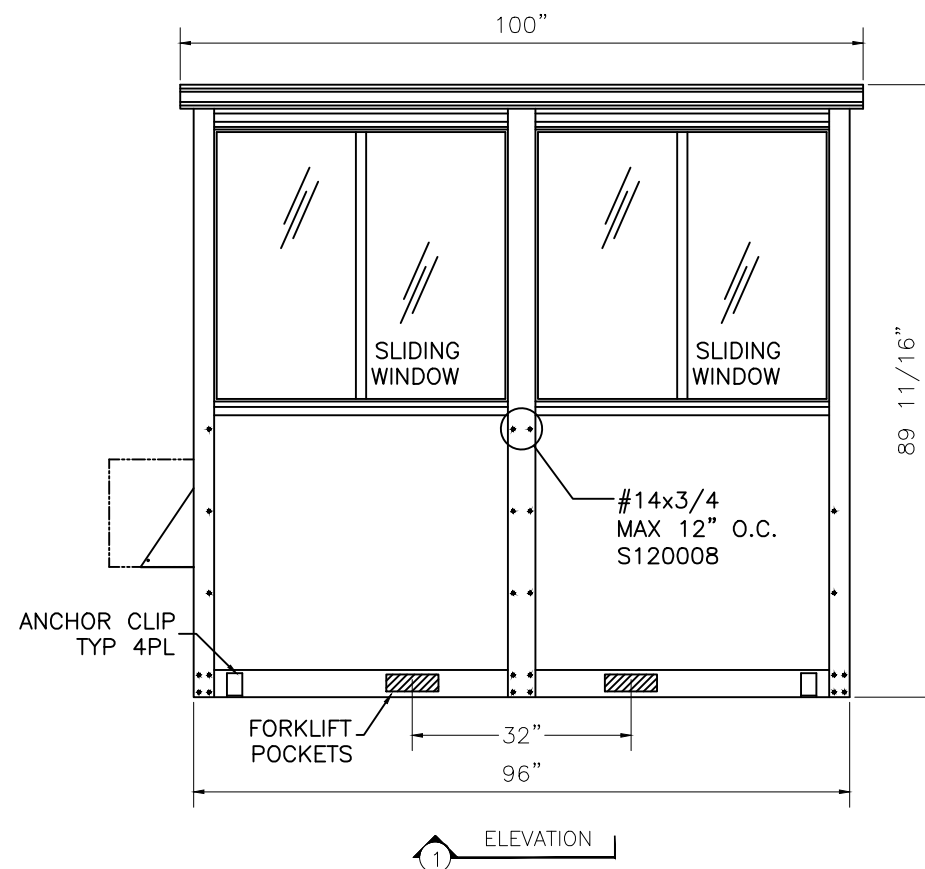
FLOOR PLAN

- ① - C.B. BOX
- ② - 110V/240V OUTLETS
- ③ - 1'x4' LIGHT W/SWITCH
- ④ - 4800 WATT WALL MOUNT HEATER, 240V
- ⑤ - AIR CONDITIONER, 11600 BTU, 230V, AJCM12DCD

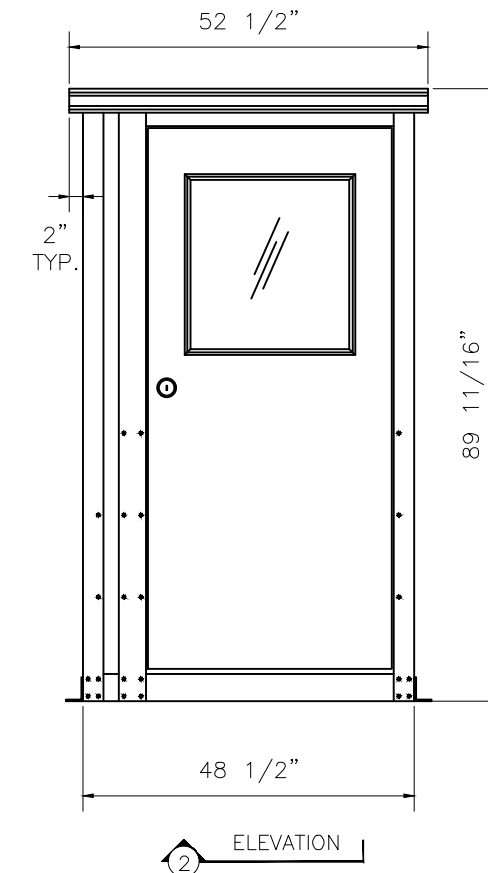
- GENERAL NOTES:
1. EXTERIOR PANEL FINISH: WHITE SMOOTH ALUMINUM
 2. INTERIOR FINISH: GREY VINYL HARDBOARD
 3. STRUCTURAL FRAMING & TRIM: GREY PAINT
 4. ALL GLAZING IS 1/8" CLEAR TEMPERED SAFETY GLASS (TSG).



WALL SECTION - TYPICAL



ELEVATION 1



ELEVATION 2

Revisions

No.	Date	Description

STARRCO
 Revolutionizing Interior Construction
 11700 FARGROVE INDUSTRIAL BOULEVARD
 MARYLAND HEIGHTS, MISSOURI 63043-3436
 (314) 567-5533 1-800-325-4259
 FAX (314) 567-7555 E-mail: starrco@starrco.com
 http://www.starrco.com

Dealer **STARRCO**

Customer **STARRCO**

Drawing Title
PAB Model 48

Job No.:

Checked By:

Drawn By: a.m.

Date:

Scale: N.T.S.

Sheet No.

A1