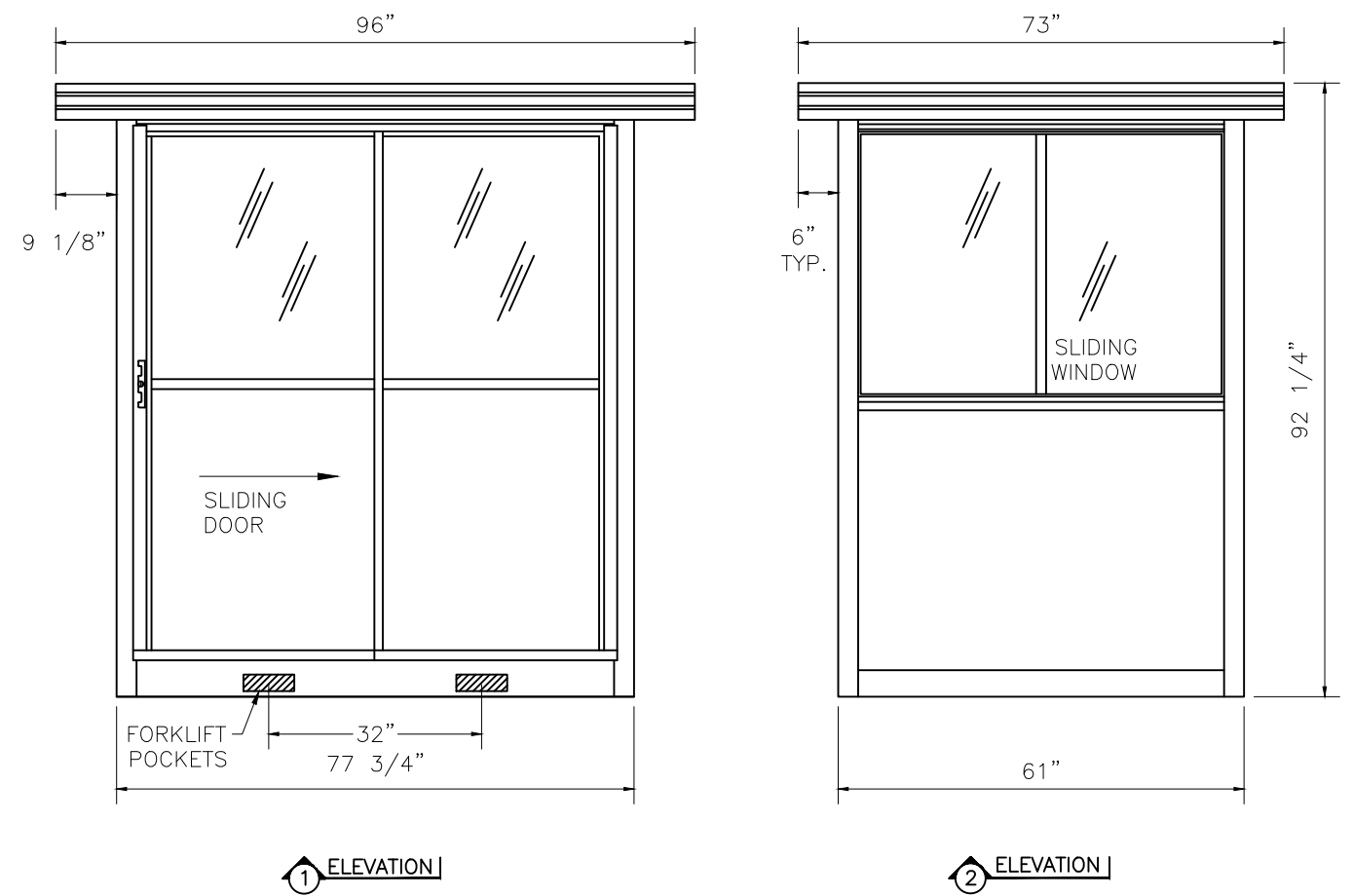
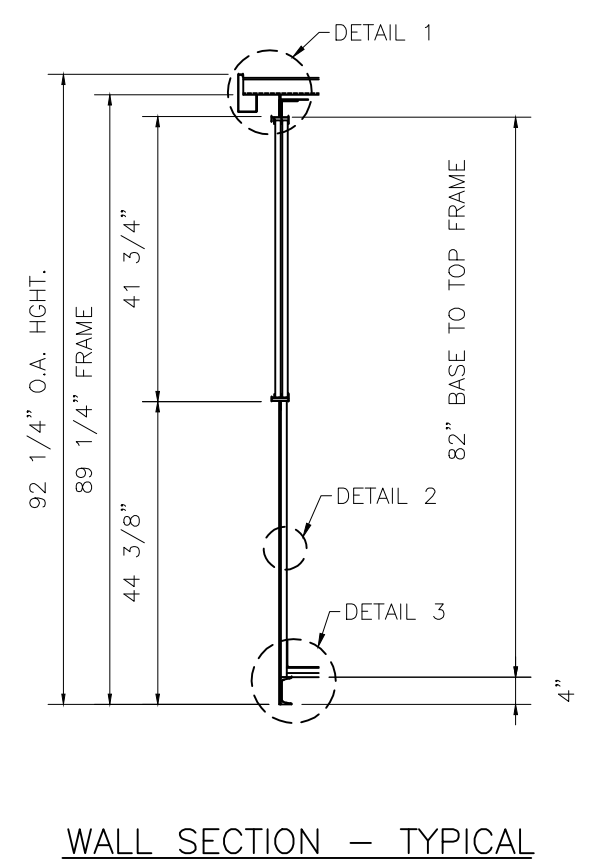


- GENERAL NOTES:
1. EXTERIOR PANEL FINISH: WHITE SMOOTH ALUMINUM
 2. INTERIOR FINISH: GREY VINYL HARDBOARD
 3. STRUCTURAL FRAMING & TRIM: GREY PAINT
 4. ALL GLAZING IS 1/8" CLEAR TEMPERED SAFETY GLASS (TSG).



Revisions	
No.	Date
Description	
Description	
Description	
Description	

STARRCO
 Revolutionizing Interior Construction
 11700 FARGROVE INDUSTRIAL BOULEVARD
 MARYLAND HEIGHTS, MISSOURI 63043-3436
 (314) 567-5533 1-800-325-4259
 FAX (314) 567-7555 E-mail: starrco@starrco.com
 http://www.starrco.com

Dealer **STARRCO** Customer **STARRCO**

Drawing Title: **PAB Model 48**

Job No.: _____

Checked By: _____

Drawn By: **SN**

Date: _____

Scale: **N.T.S.**

Sheet No. **A1**