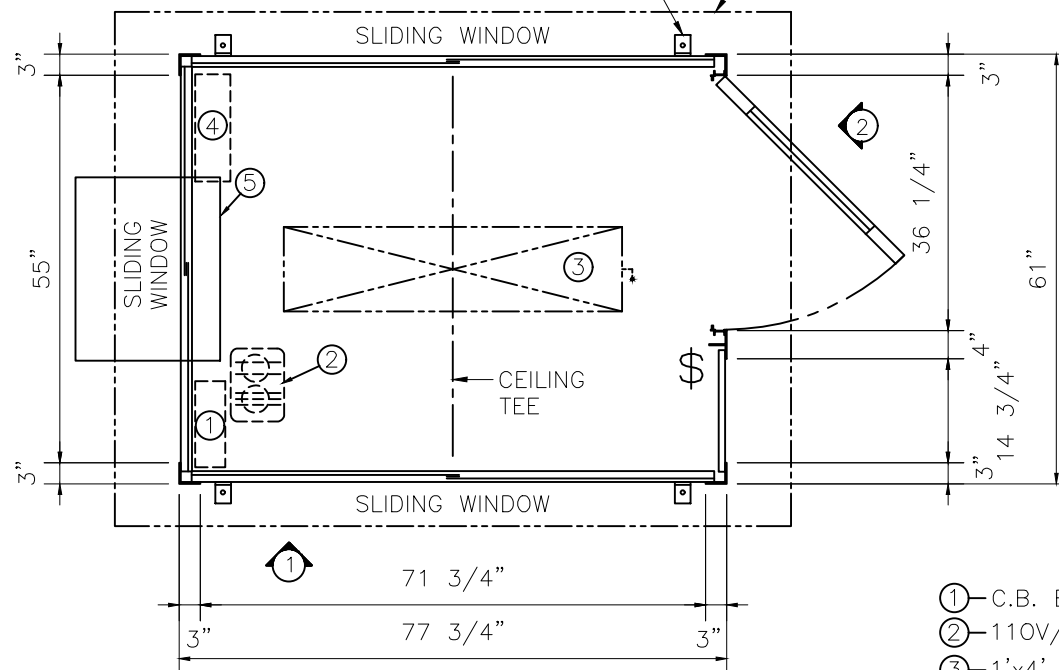


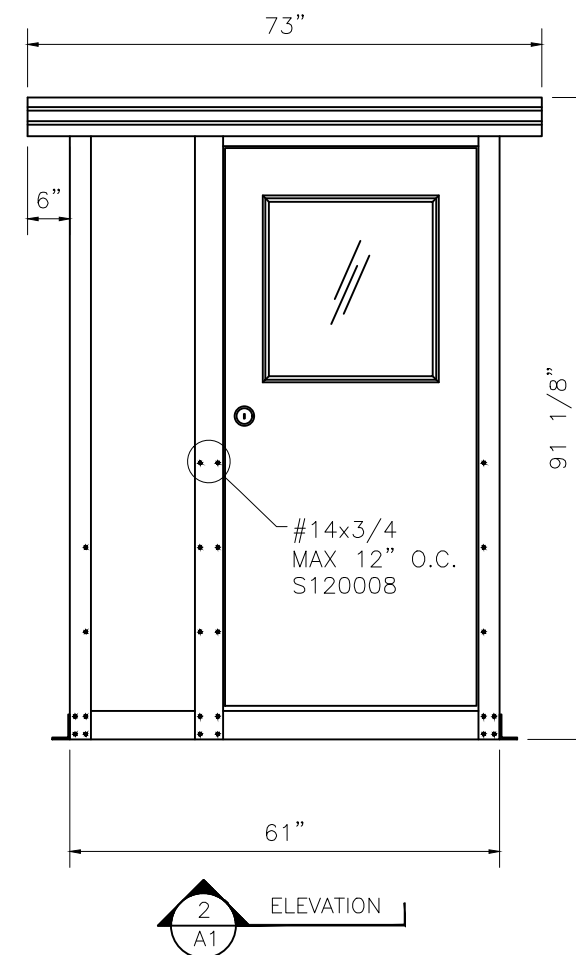
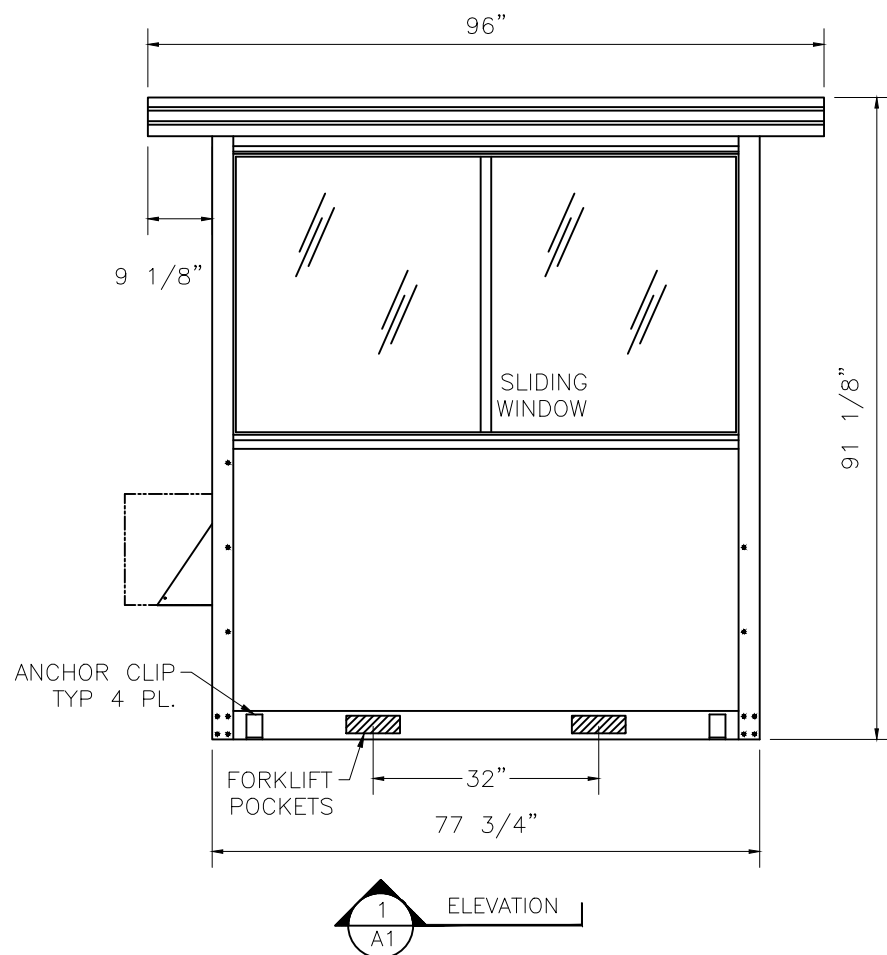
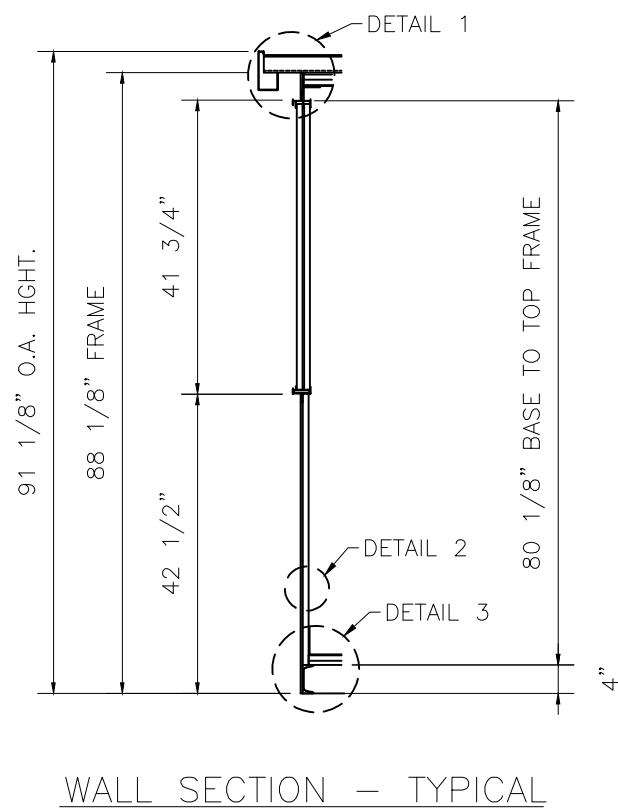
1/4" STEEL ANGLE WELDED TO BASE CHANNEL WITH CONT. 1/8" FILLET WITH Ø1/2" EXP. ANCHOR 2-1/4" DEEP, TYP 4 PL.

PRE-MANUFACTURED ROOF WITH STANDARD OVERHANG - 4 SIDES



- GENERAL NOTES:**
- EXTERIOR PANEL FINISH: WHITE SMOOTH ALUMINUM
 - INTERIOR FINISH: GREY VINYL HARDBOARD
 - STRUCTURAL FRAMING & TRIM: GREY PAINT
 - ALL GLAZING IS 1/8" CLEAR TEMPERED SAFETY GLASS (TSG).

- ① C.B. BOX
- ② 110V/240V OUTLETS
- ③ 1'x4' LIGHT W/SWITCH
- ④ 4800 WATT WALL MOUNT HEATER, 240V
- ⑤ AIR CONDITIONER, 11600 BTU, 230V, AJCM12DCD



Revisions	
No.	Date:
Description/By:	
Description/By:	
Description/By:	
Description/By:	

STARCCO
Revolutionizing Interior Construction

11700 Fairgrove Industrial Boulevard
Maryland Heights, Missouri 63043-3436
(314) 567-5533 1-800-325-4259
Fax (314) 567-7555 e-mail: starcco@starcco.com
http://www.starcco.com

Dealer **STARCCO** Customer **STARCCO**

Drawing Title: **Panel Layout**

Job No.:
Checked By:
Drawn By:
Date:
Scale: N.T.S.
Sheet No. **A1**