

Revisions

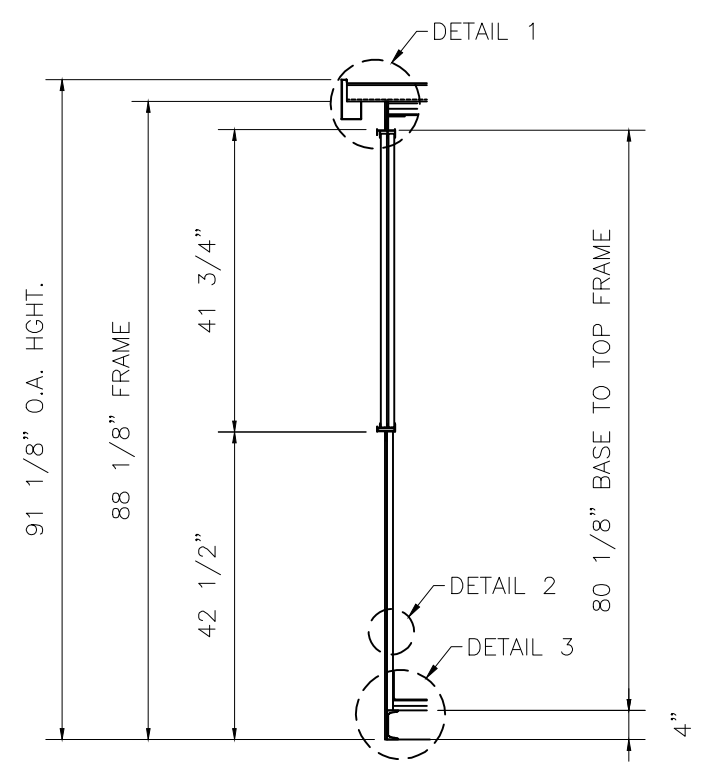
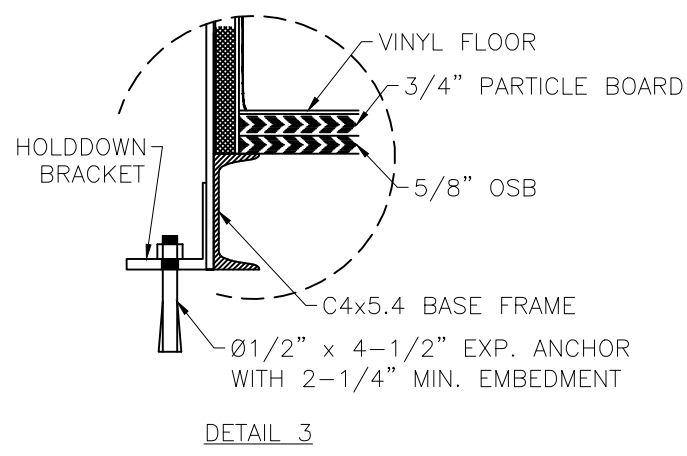
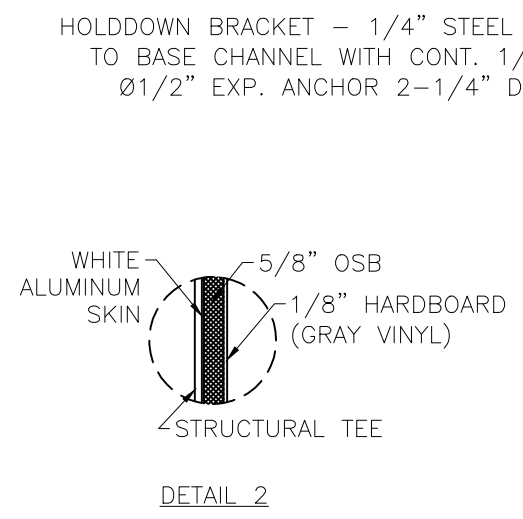
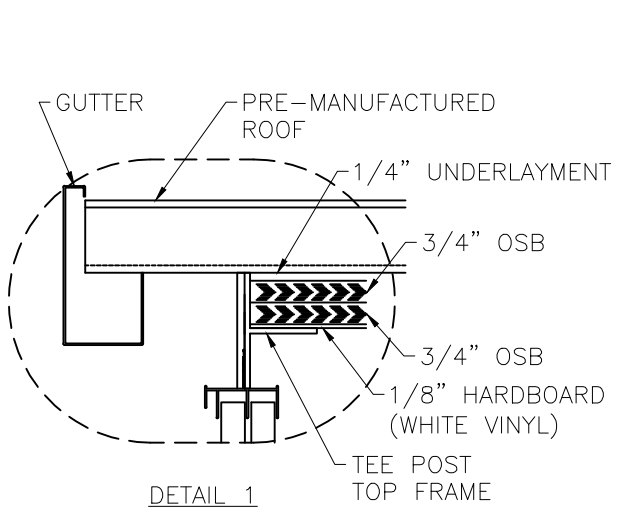
No.	Date	Description

STARRCO
 Revolutionizing Interior Construction
 11700 FARGROVE INDUSTRIAL BOULEVARD
 MARYLAND HEIGHTS, MISSOURI 63043-3436
 (314) 567-5533 1-800-325-4259
 FAX (314) 567-7555 E-mail: starrco@starrco.com
 http://www.starrco.com

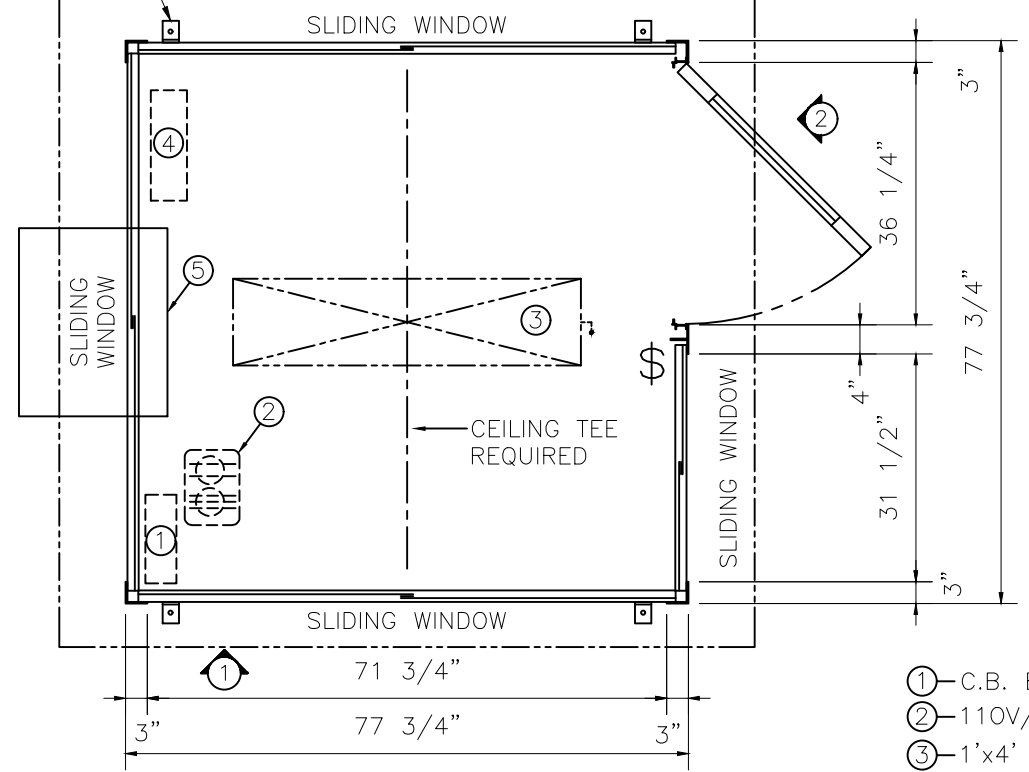
Dealer **STARRCO**
 Customer **STARRCO**

Drawing Title
PAB Model 66
 Job No.:
 Checked By:
 Drawn By: **amarshal**
 Date:
 Scale: **N.T.S.**
 Sheet No.

A1

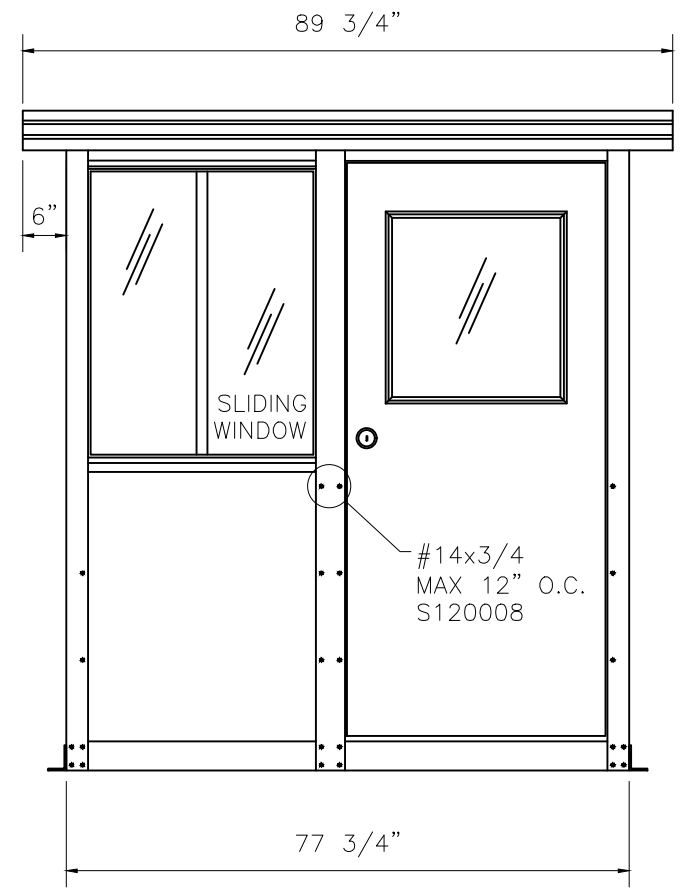
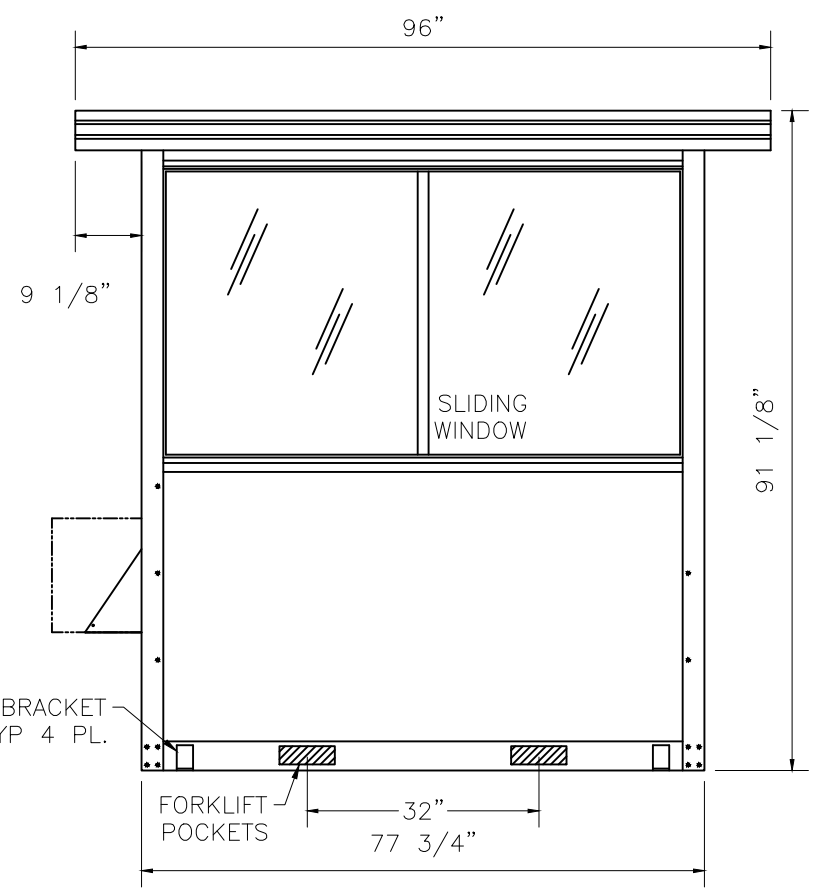


HOLDDOWN BRACKET - 1/4" STEEL ANGLE WELDED TO BASE CHANNEL WITH CONT. 1/8" FILLET WITH Ø1/2" EXP. ANCHOR 2-1/4" DEEP, TYP 4 PL
 PRE-MANUFACTURED ROOF WITH STANDARD OVERHANG - 4 SIDES



- GENERAL NOTES:
 1. EXTERIOR PANEL FINISH: WHITE SMOOTH ALUMINUM
 2. INTERIOR FINISH: GREY VINYL HARDBOARD
 3. STRUCTURAL FRAMING & TRIM: GREY PAINT
 4. ALL GLAZING IS 1/8" CLEAR TEMPERED SAFETY GLASS (TSG).

- ① - C.B. BOX
 ② - 110V/240V OUTLETS
 ③ - 1'x4' LIGHT W/SWITCH
 ④ - 4800 WATT WALL MOUNT HEATER, 240V
 ⑤ - AIR CONDITIONER, 11600 BTU, 230V, AJCM12DCD



① ELEVATION

② ELEVATION