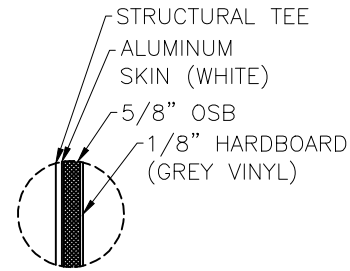
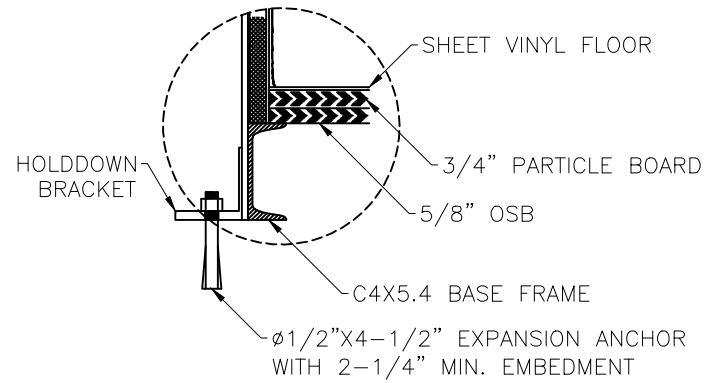


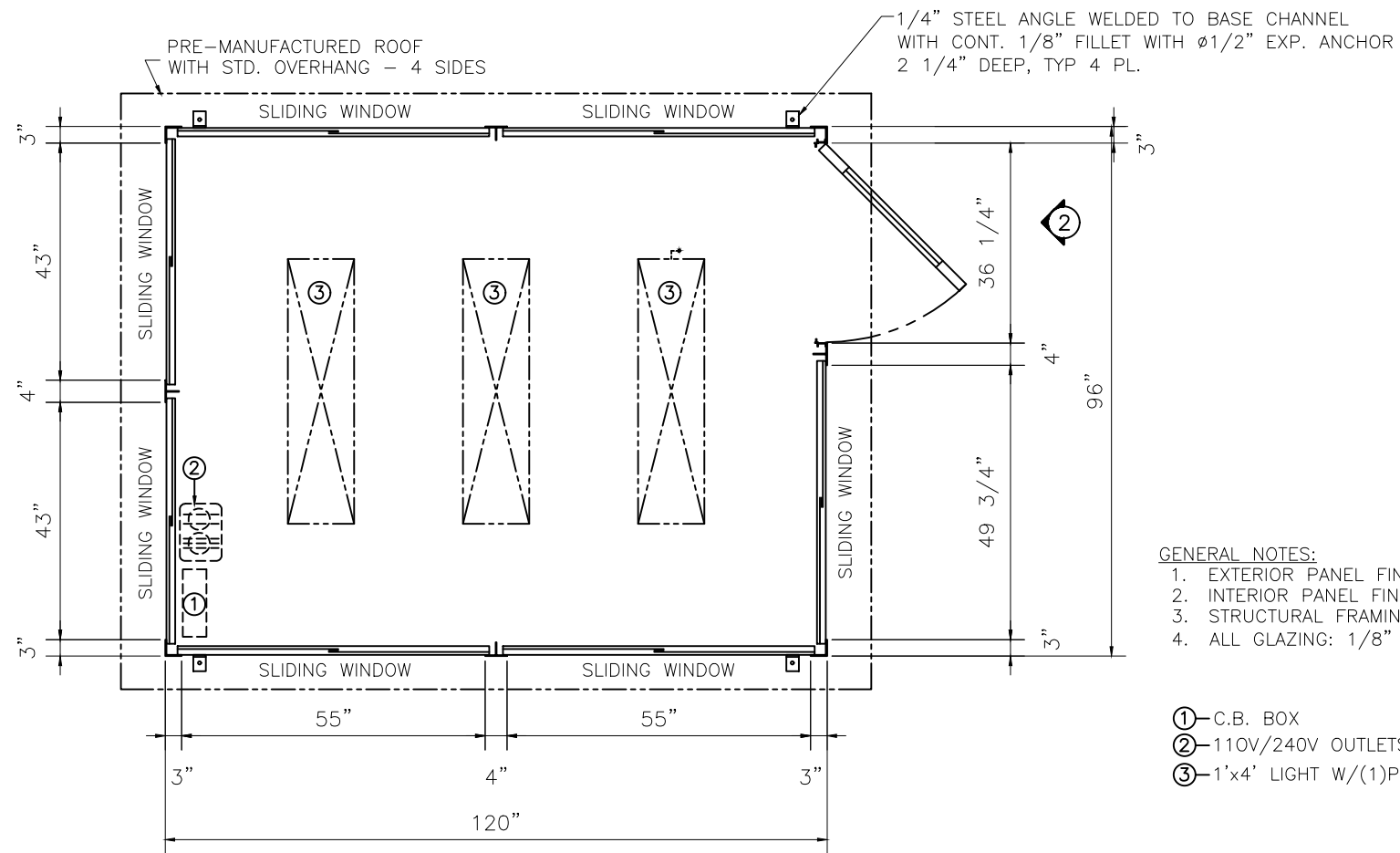
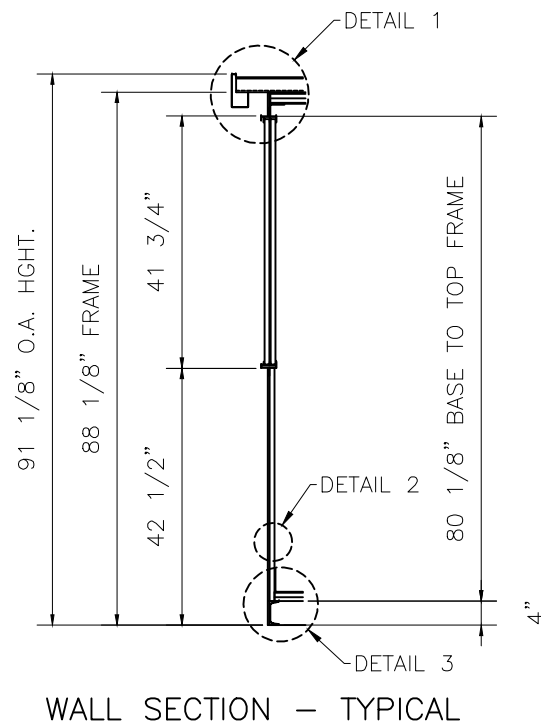
DETAIL 1



DETAIL 2



DETAIL 3

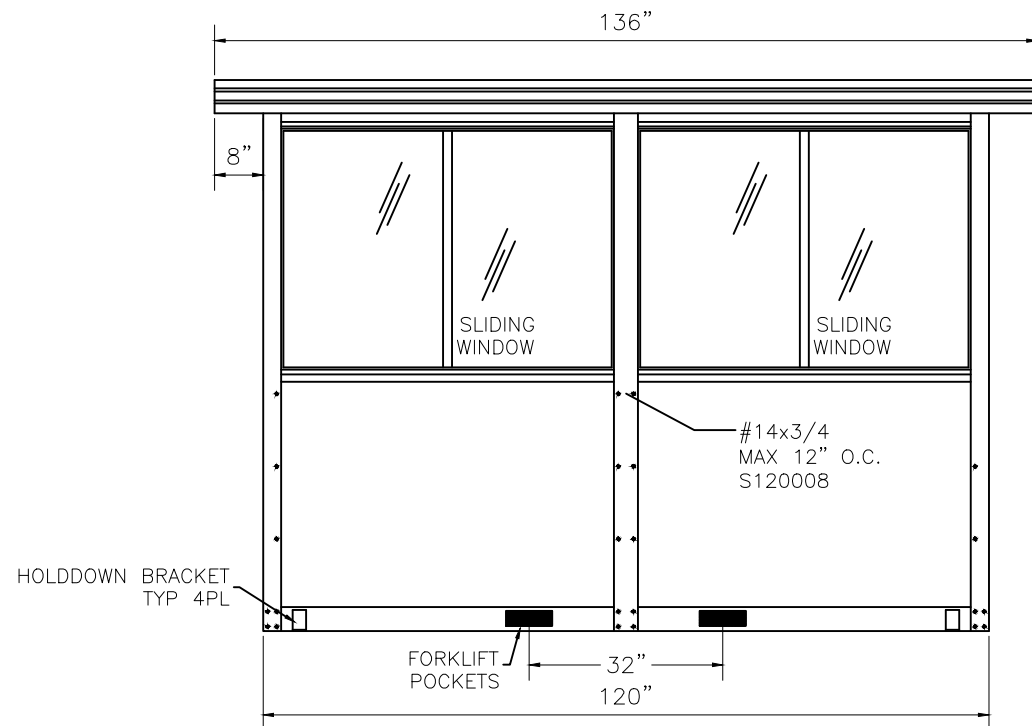


1 FLOOR PLAN

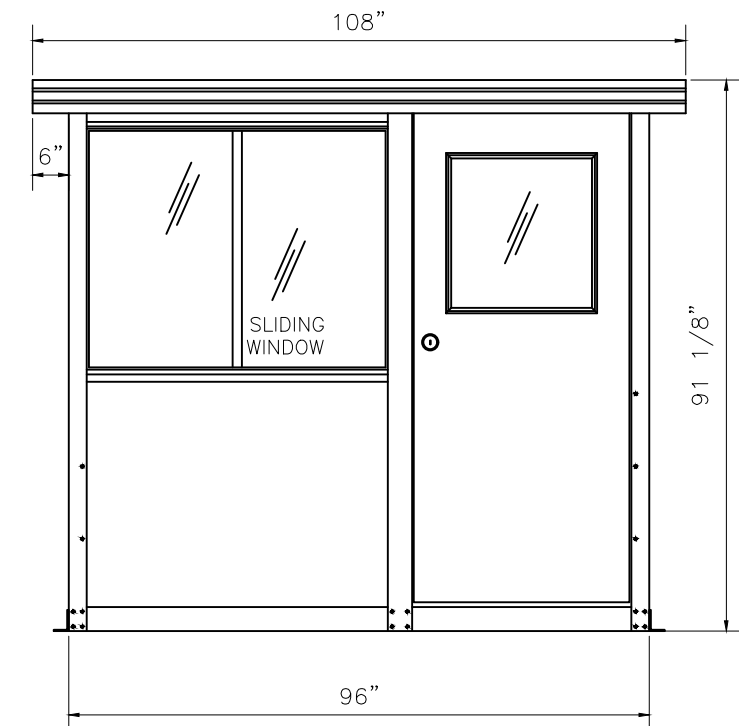
GENERAL NOTES:

1. EXTERIOR PANEL FINISH: WHITE SMOOTH ALUMINUM
2. INTERIOR PANEL FINISH: GREY VINYL HARDBOARD
3. STRUCTURAL FRAMING & TRIM: GREY PAINT
4. ALL GLAZING: 1/8" CLEAR TEMPERED SAFETY GLASS

- 1 C.B. BOX
- 2 110V/240V OUTLETS
- 3 1'x4' LIGHT W/(1)PULL CHAIN



1 ELEVATION



2 ELEVATION

Revisions

No.	Date	Description

STARRCO
 Revolutionizing Interior Construction
 11700 FARGROVE INDUSTRIAL BOULEVARD
 MARYLAND HEIGHTS, MISSOURI 63043-3436
 (314) 567-5533 1-800-325-4259
 FAX (314) 567-7555 E-mail: starrco@starrco.com
 http://www.starrco.com

Dealer **STARRCO** Customer **STARRCO**

Drawing Title
PAB Model 810
 Job No.:
 Checked By:
 Drawn By: a.m.
 Date:
 Scale: N.T.S.
 Sheet No.

A1