

Revisions

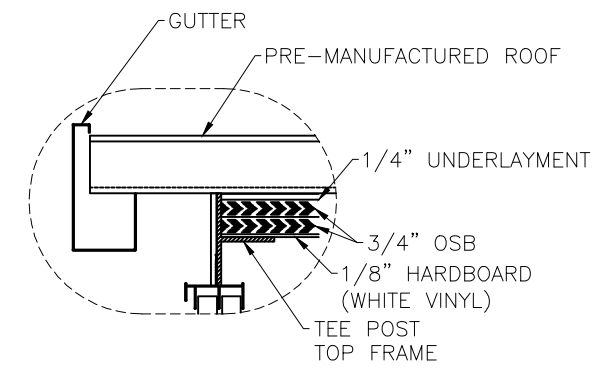
No.	Date	Description

STARRCO
 Revolutionizing Interior Construction
 11700 FARGROVE INDUSTRIAL BOULEVARD
 MARYLAND HEIGHTS, MISSOURI 63043-3436
 (314) 567-5553 1-800-325-4259
 FAX (314) 567-7555 E-mail: starrco@starrco.com
 http://www.starrco.com

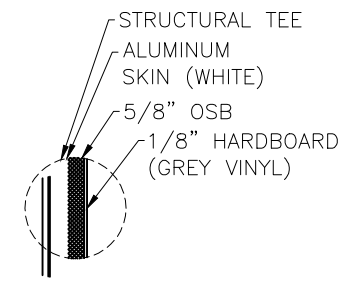
Dealer **STARRCO**
 Customer **STARRCO**

Drawing Title
PAB MODEL 812
 Job No.:
 Checked By:
 Drawn By:
 Date:
 Scale: **N.T.S.**
 Sheet No.

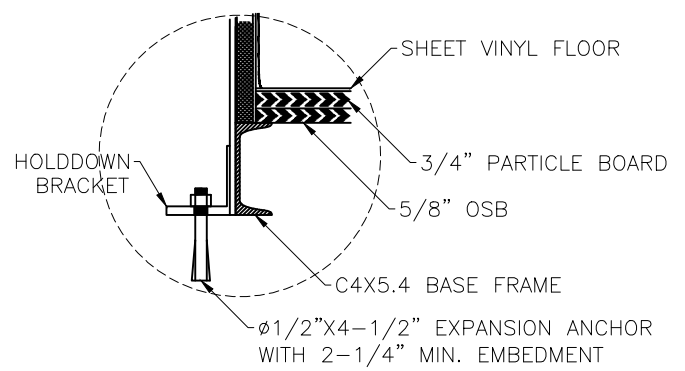
A1



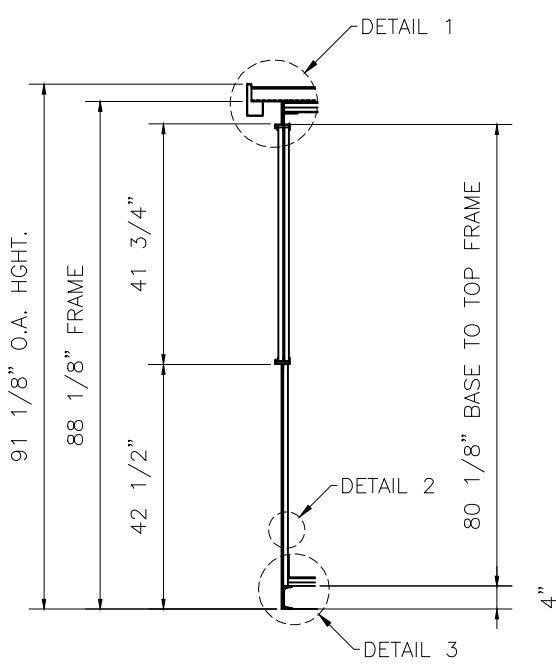
DETAIL 1



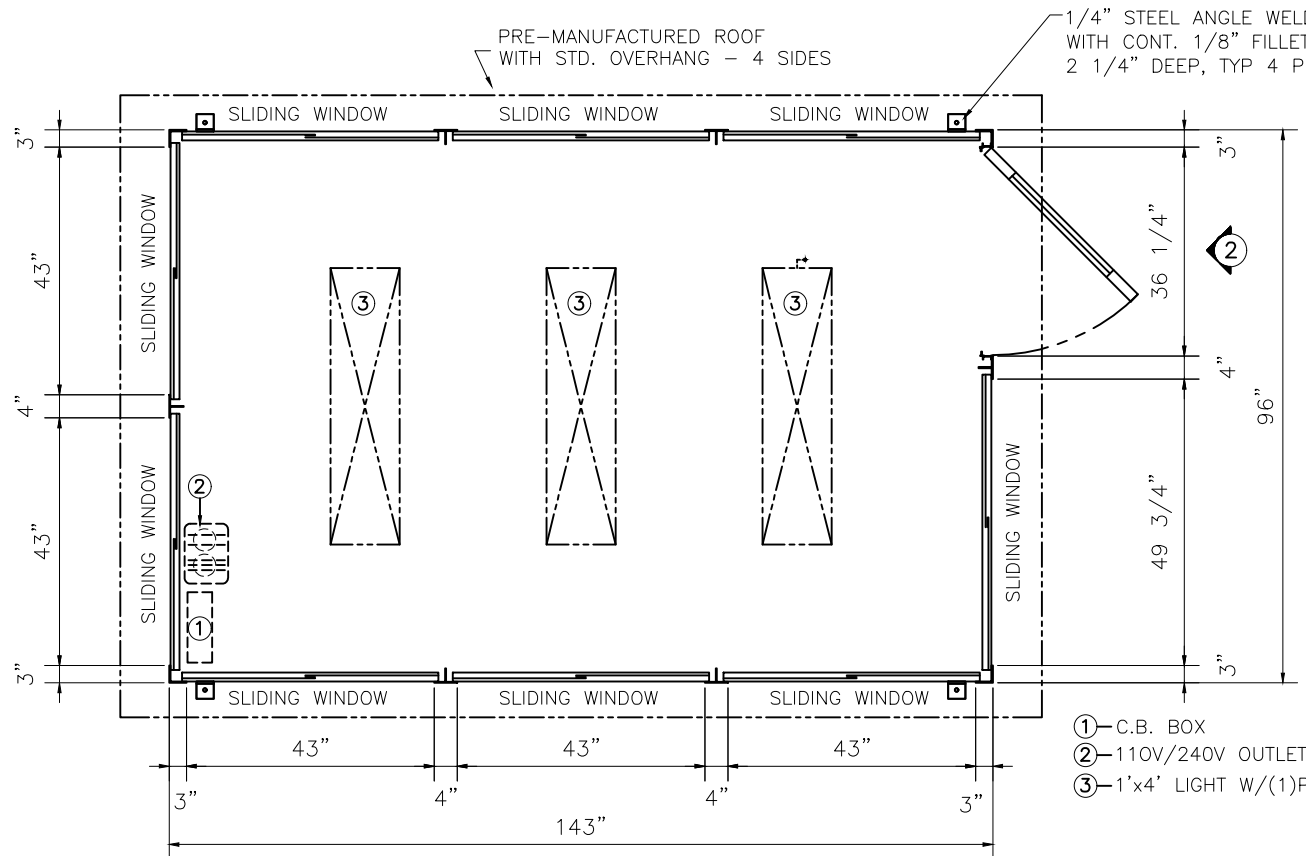
DETAIL 2



DETAIL 3



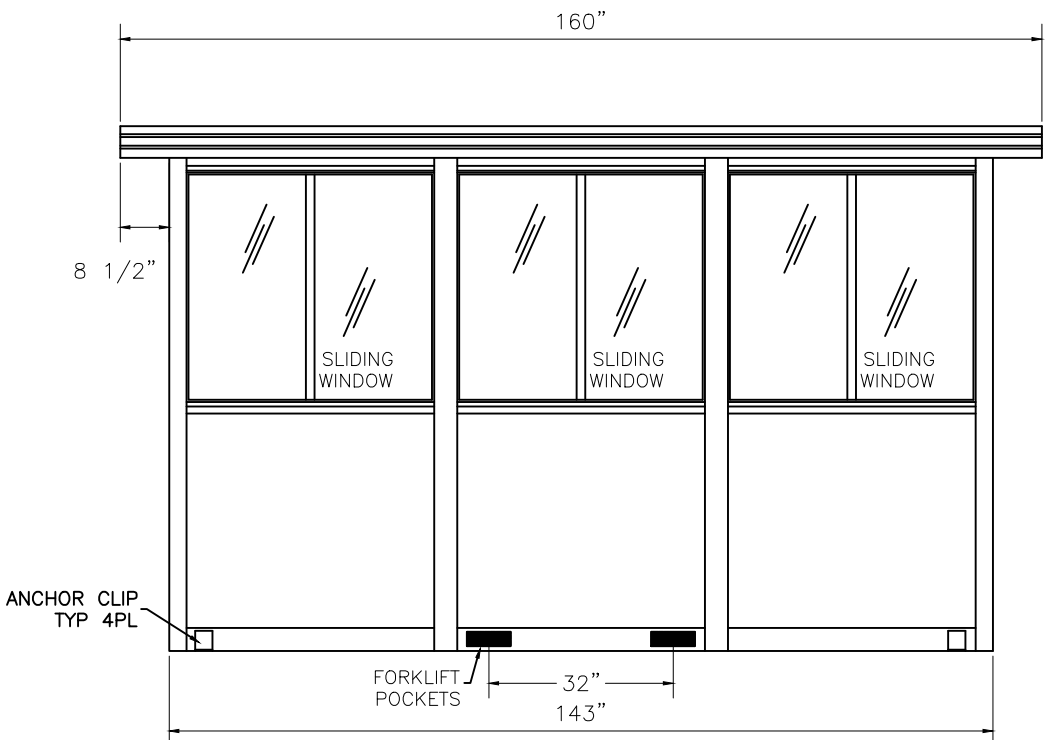
WALL SECTION - TYPICAL



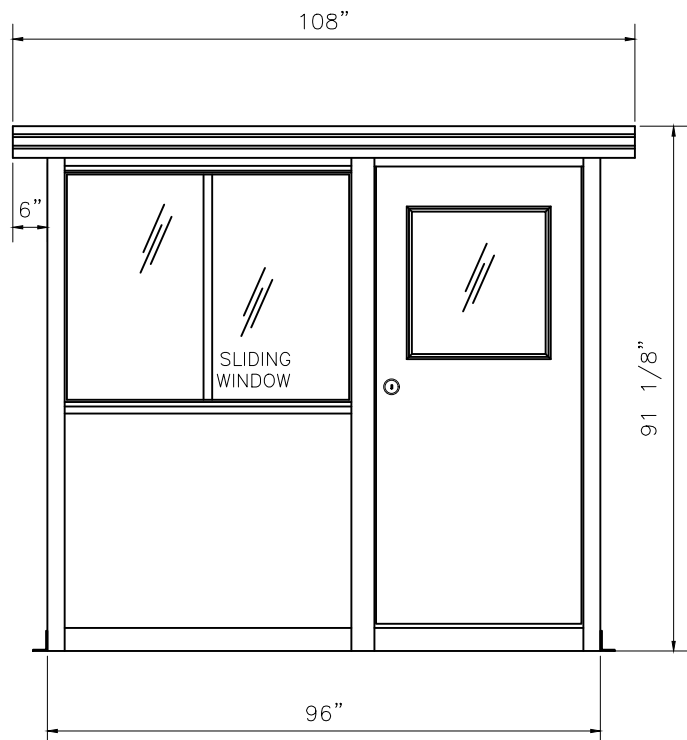
FLOOR PLAN

- GENERAL NOTES:**
- EXTERIOR PANEL FINISH: WHITE SMOOTH ALUMINUM
 - INTERIOR PANEL FINISH: GREY VINYL HARDBOARD
 - STRUCTURAL FRAMING & TRIM: GREY PAINT
 - ALL GLAZING: 1/8" CLEAR TEMPERED SAFETY GLASS

- ① - C.B. BOX
- ② - 110V/240V OUTLETS
- ③ - 1'x4' LIGHT W/(1)PULL CHAIN



ELEVATION 1



ELEVATION 2