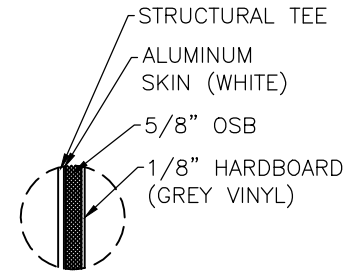
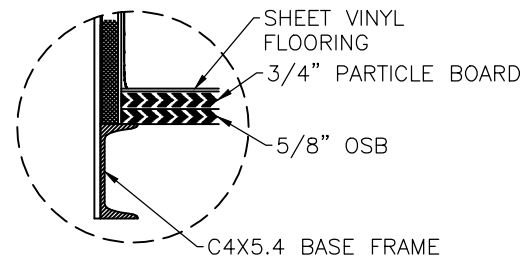


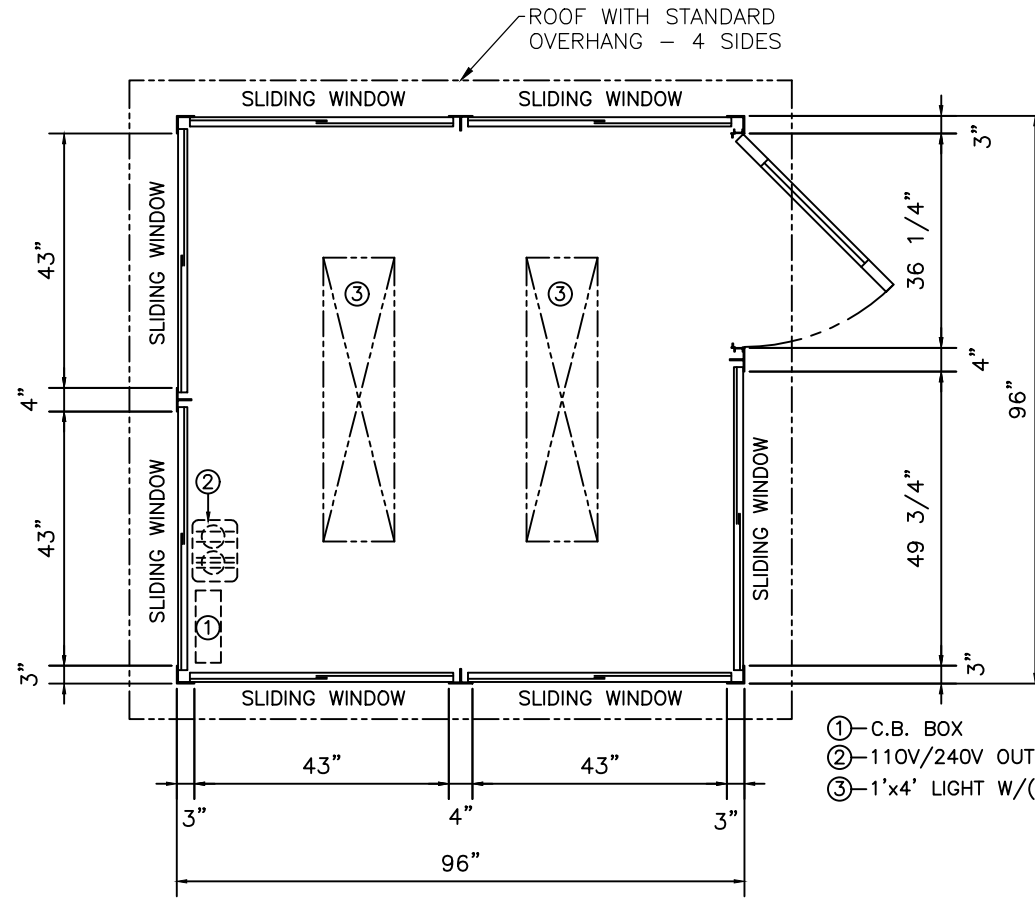
DETAIL 1



DETAIL 2



DETAIL 3

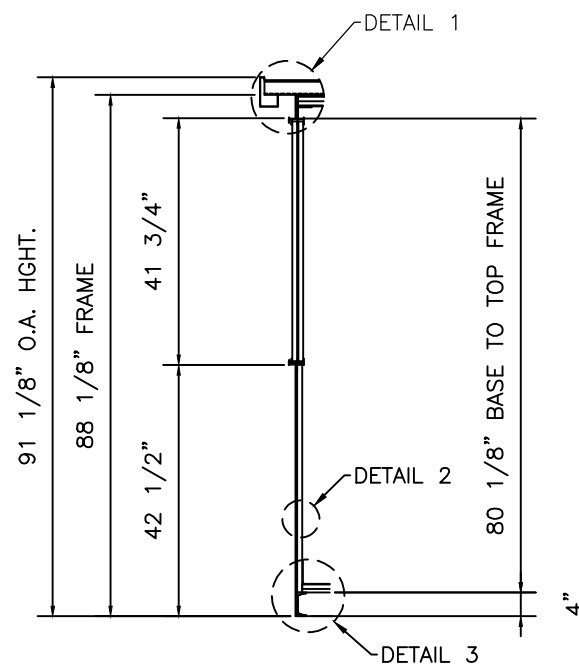


FLOOR PLAN

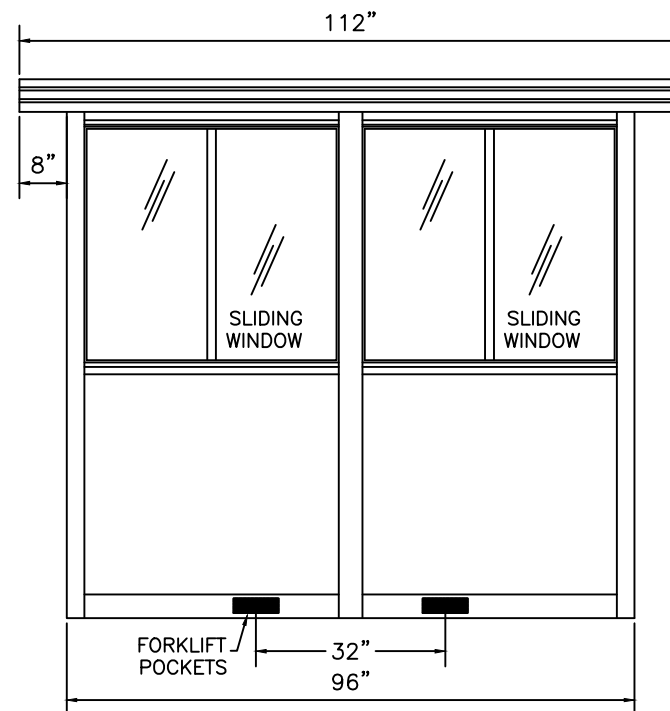
GENERAL NOTES:

1. EXTERIOR PANEL FINISH: WHITE SMOOTH ALUMINUM
2. INTERIOR PANEL FINISH: GREY VINYL HARDBOARD
3. STRUCTURAL FRAMING & TRIM: GREY PAINT
4. ALL GLAZING: 1/8" CLEAR TEMPERED SAFETY GLASS

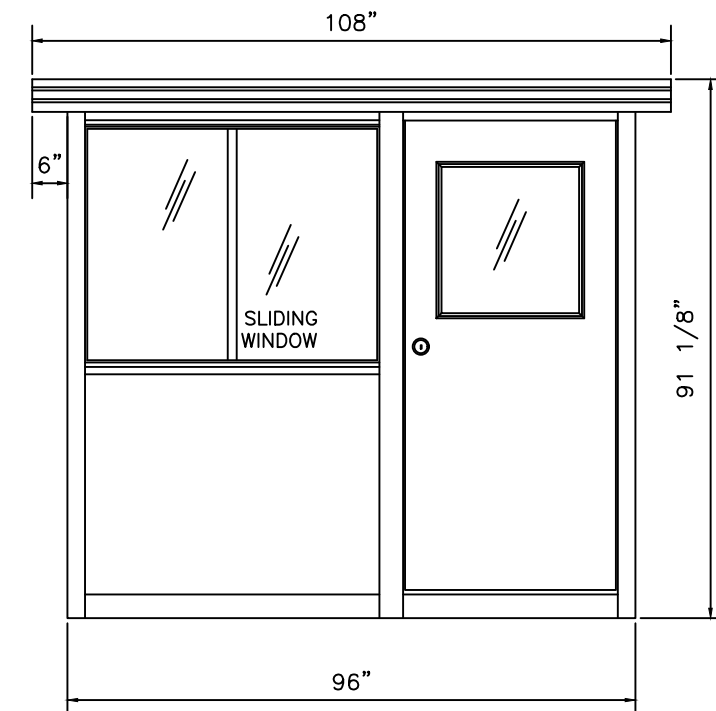
- ① - C.B. BOX
- ② - 110V/240V OUTLETS
- ③ - 1'x4' LIGHT W/(1)PULL CHAIN



WALL SECTION



ELEVATION 1



ELEVATION 2

Revisions

No.	Date	Description

STARRCO
 Revolutionizing Interior Construction
 11700 FAIRGROVE INDUSTRIAL BOULEVARD
 MARYLAND HEIGHTS, MISSOURI 63043-3436
 (314) 567-5533 1-800-325-4259
 FAX (314) 567-7555 E-mail: starrco@starrco.com
 http://www.starrco.com

Dealer **STARRCO**
 Customer **STARRCO**

Drawing Title
PAB Model 68
 Job No.:
 Checked By:
 Drawn By: SN
 Date:
 Scale: N.T.S.
 Sheet No.

A1