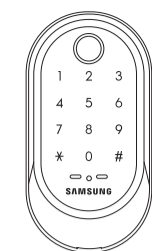


Installation Guide

Samsung Smart Lock
SHP-A30



First, please refer to the **installation video** by scanning the QR code or visit the link below.

URL <https://smarhome.samsungsds.com/en/a30>



Required tools



Please review all included documentation and use the product as intended. Before installing this product, fully read and understand this installation guide.
WARNING: FAILURE TO FOLLOW THESE INSTRUCTIONS COULD RESULT IN DAMAGE TO THE PRODUCT, AND COULD LEAD TO FAILURE OF THE PRODUCT TO PROVIDE ACCESS.

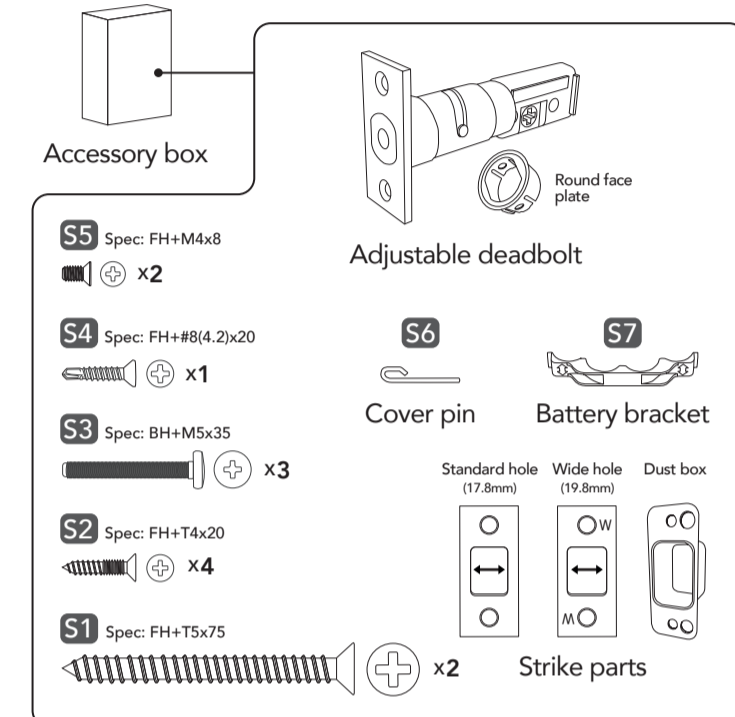
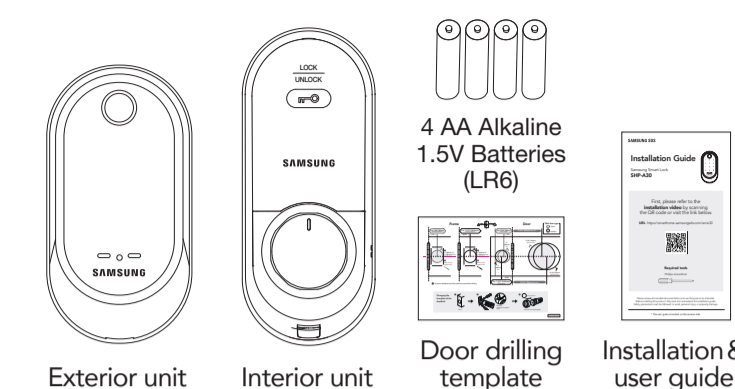
* The user guide is located on the reverse side.

Precautions for Installation

WARNING: FAILURE TO FOLLOW THESE INSTRUCTIONS COULD RESULT IN DAMAGE TO THE PRODUCT, AND COULD LEAD TO FAILURE OF THE PRODUCT TO PROVIDE ACCESS

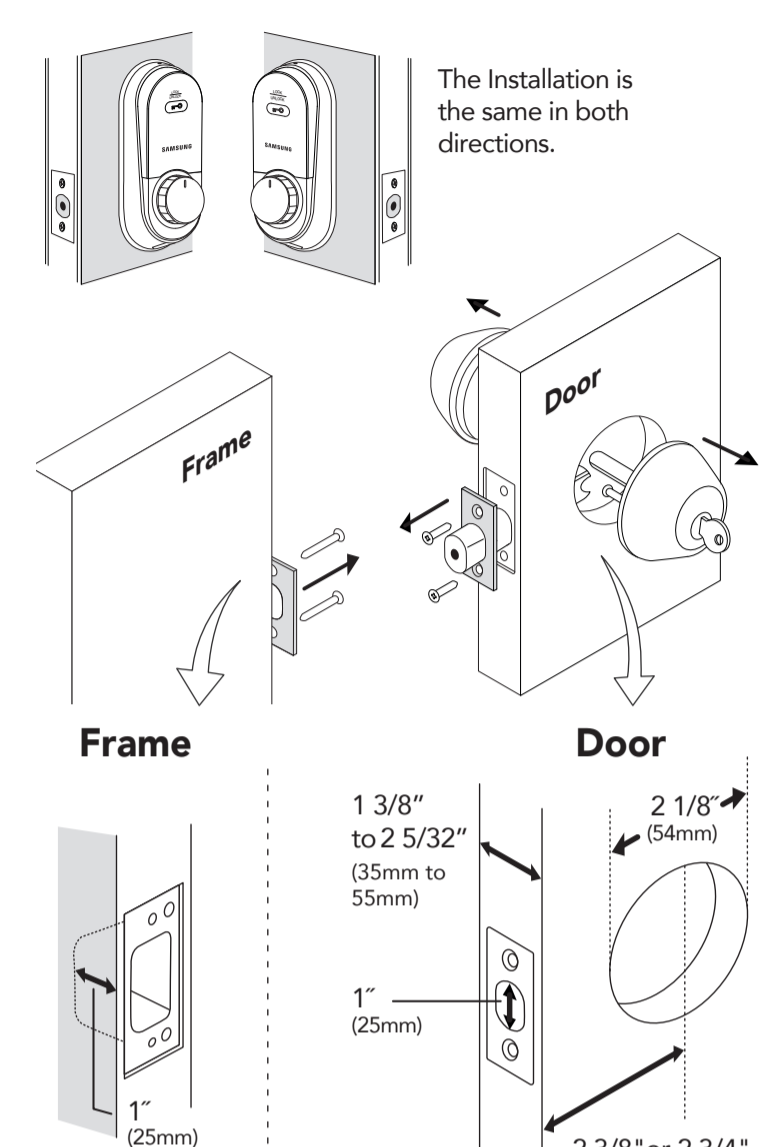
- For your safety, be careful when operating tools or heavy machinery during installation.
- For best results, avoid installing the product in a rainy, humid, or saline environment (e.g. coastal area), or a place exposed to direct sunlight for a long period of time.
- Long-term exposure to direct sunlight may cause a crack on the touch pad. Avoid exposure to direct sunlight.
- Excessive dew condensation may affect product performance.
- You must not repair this product without authorization.
- Before installing the product, check your Wi-Fi environment. Depending on the indoor Wi-Fi environment, the product may not be installed or its service may not be supported. To check your Wi-Fi environment, you need a smartphone and a Wi-Fi access point in your house.
- Install the product while the door is open. Even after completing the installation, do not close the door until you check if the product is operating properly.
- While installing the product, do not let it fall to the ground. If the product falls or is dropped during installation, you may be injured or the product may be damaged.
- Do not install the batteries until you complete the installation. When it is powered up, it will find the door direction automatically, installing the batteries prior to the lock being fully installed may affect the automatic door direction process.
- The thumb turn will be released after the door direction is set up.
- The handle latch is not supplied, but it is recommended that the door is held by the latch. If not, the door lock lifetime may be affected.

1 Inside the Box

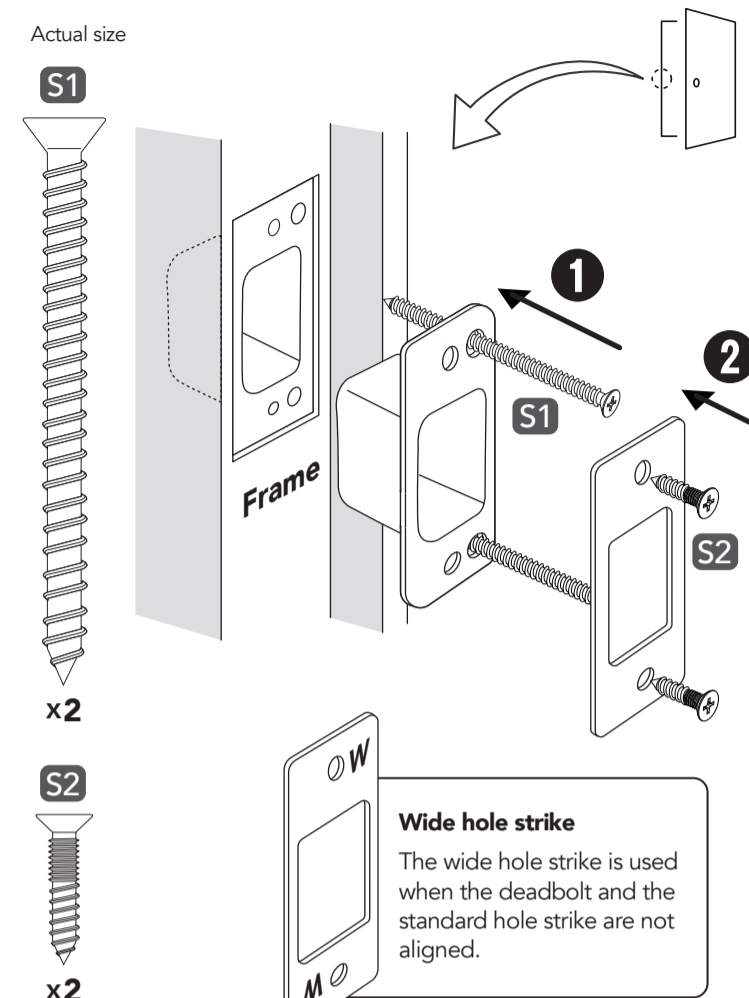


* Be careful when installing the product to avoid any injury.
* The warranty does not apply to faulty installation.

2 Remove the Existing Lock and Check your Door

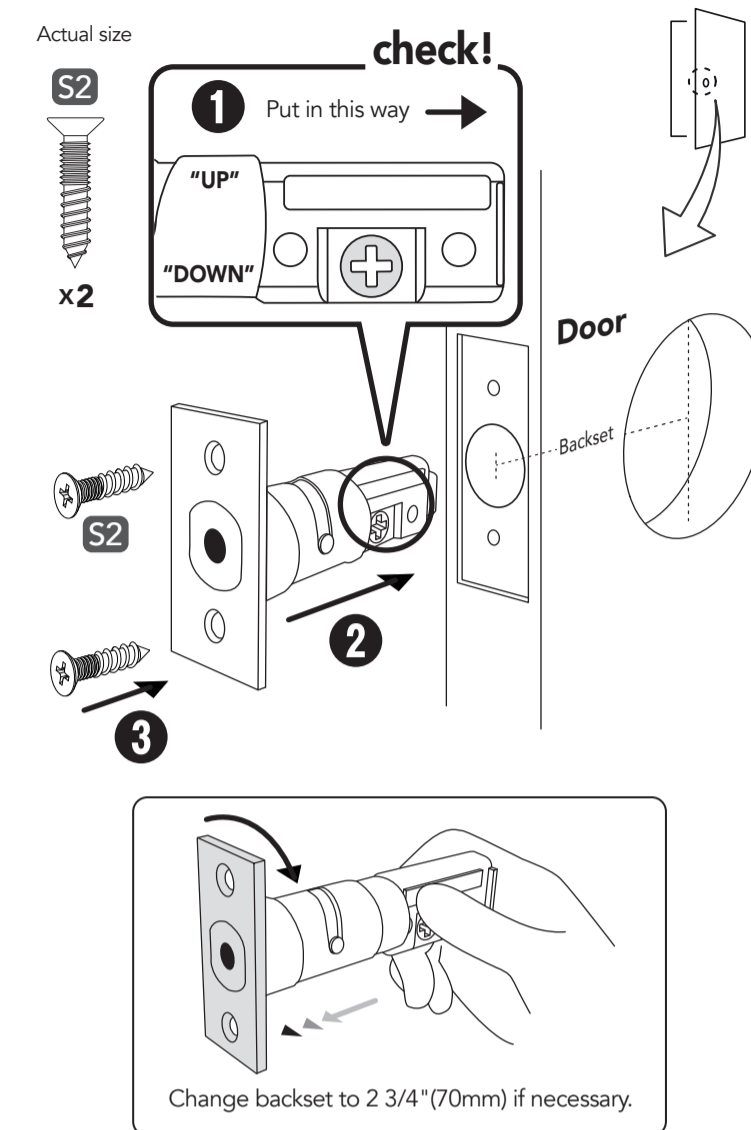


3 Install the Strike into the Door Frame



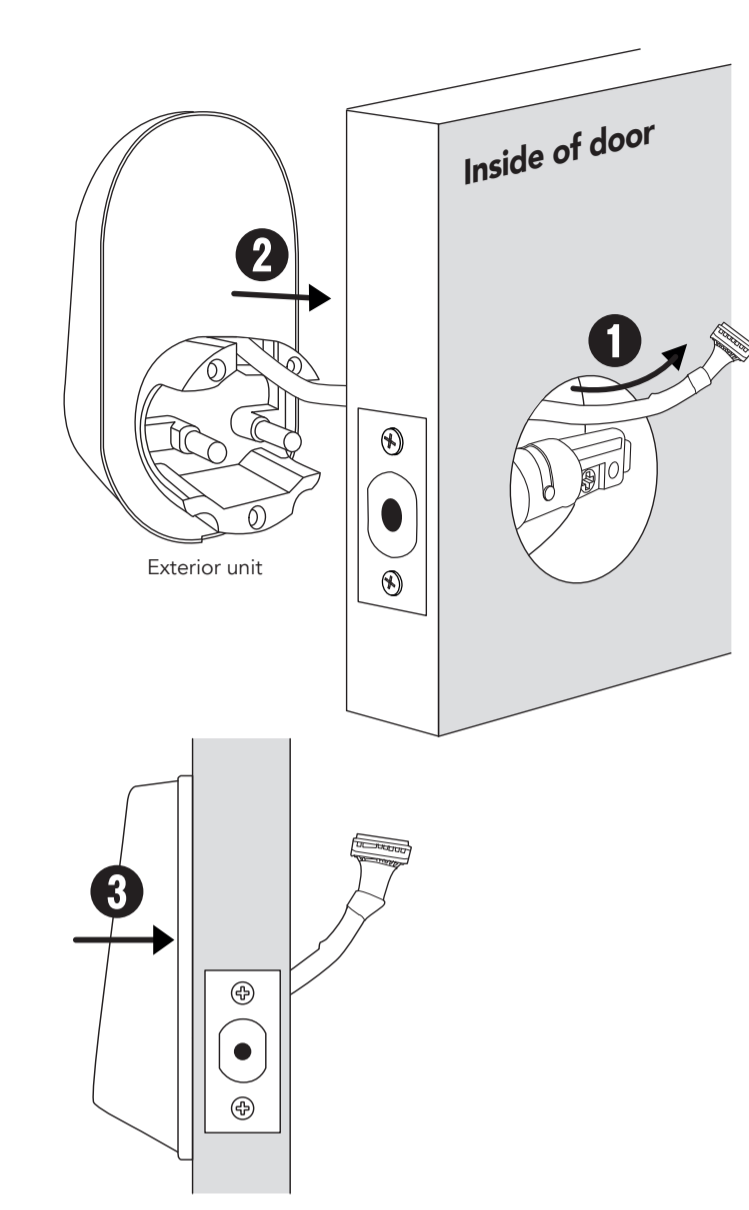
CAUTION!
1) Do not use S1 screws if the door frame is thinner than the length of the S1 screws. Instead, install the dust box and the strike at the same time, using only S2 screws.
2) Make sure the deadbolt inside the strike is center-aligned.

4 Install the Deadbolt into the Door

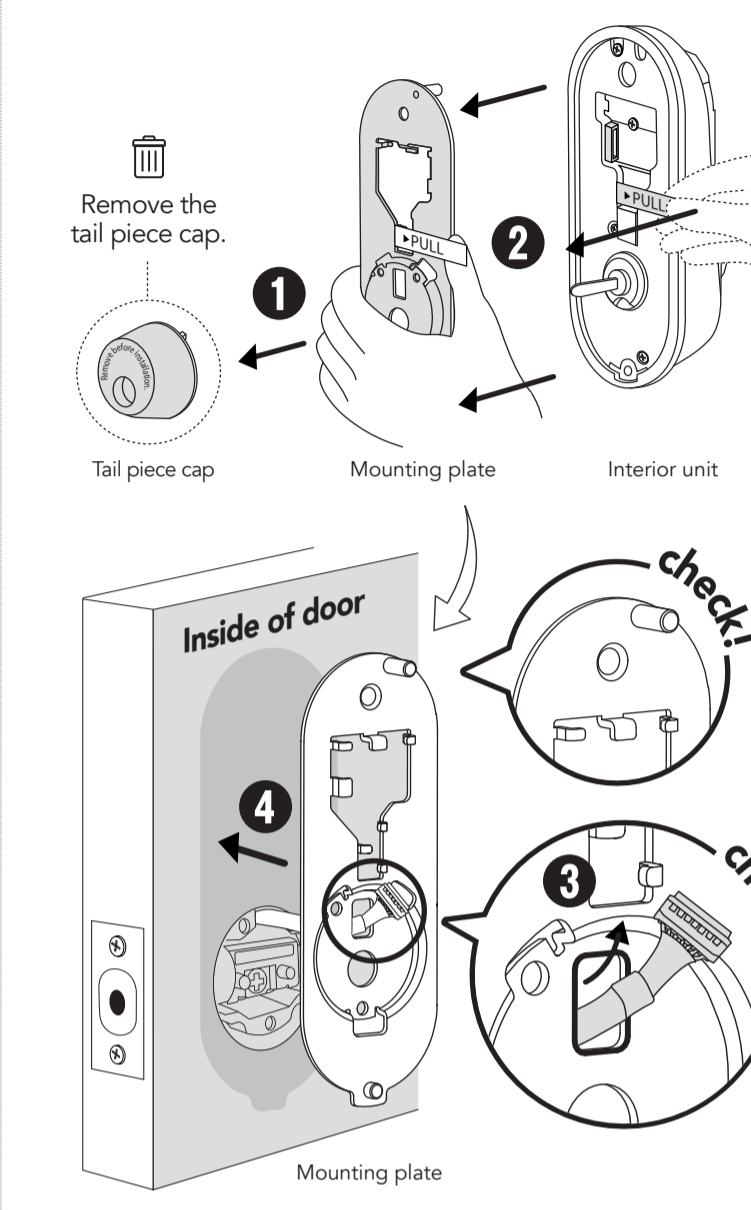


CAUTION! In case of round deadbolt, see the door drilling template.

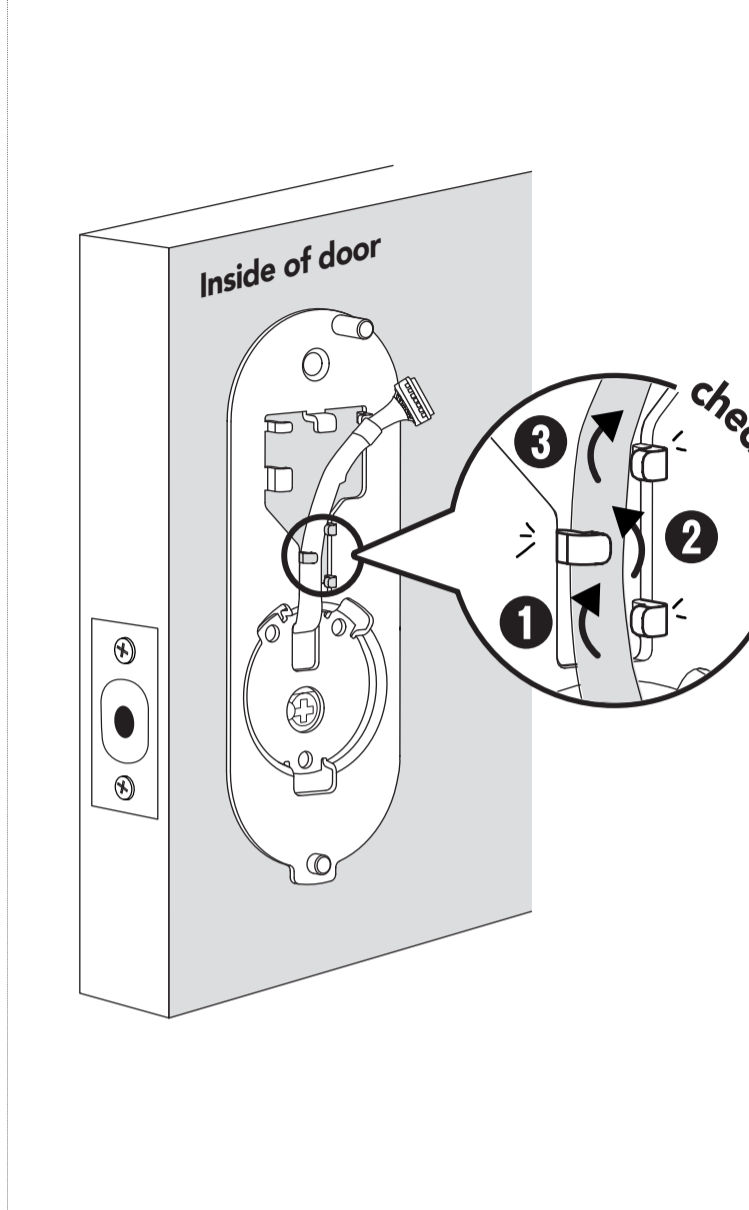
5 Install the Exterior Unit



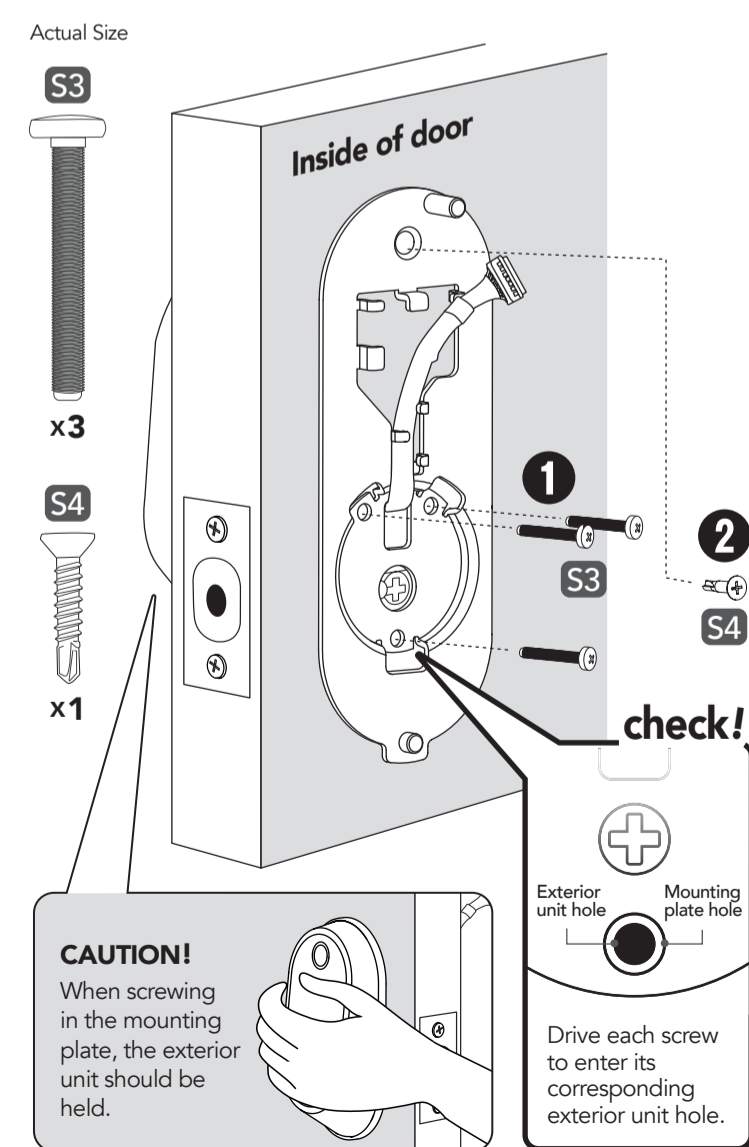
6 Remove Tail Piece Cap and Attach the Mounting Plate



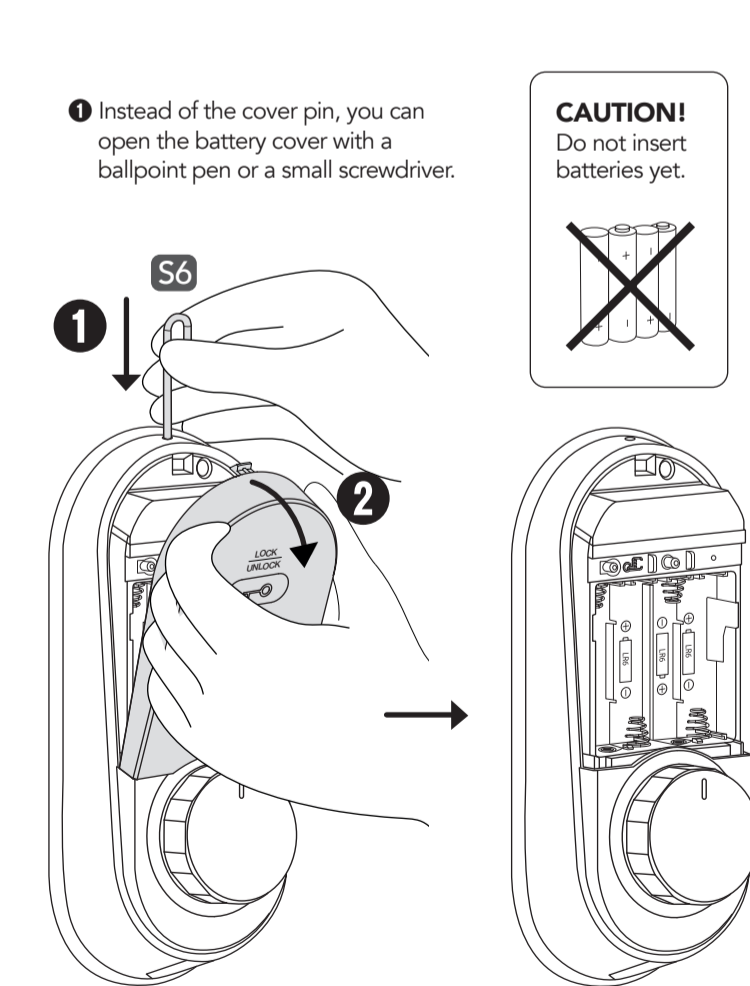
7-1 Install the Interior Mounting Plate



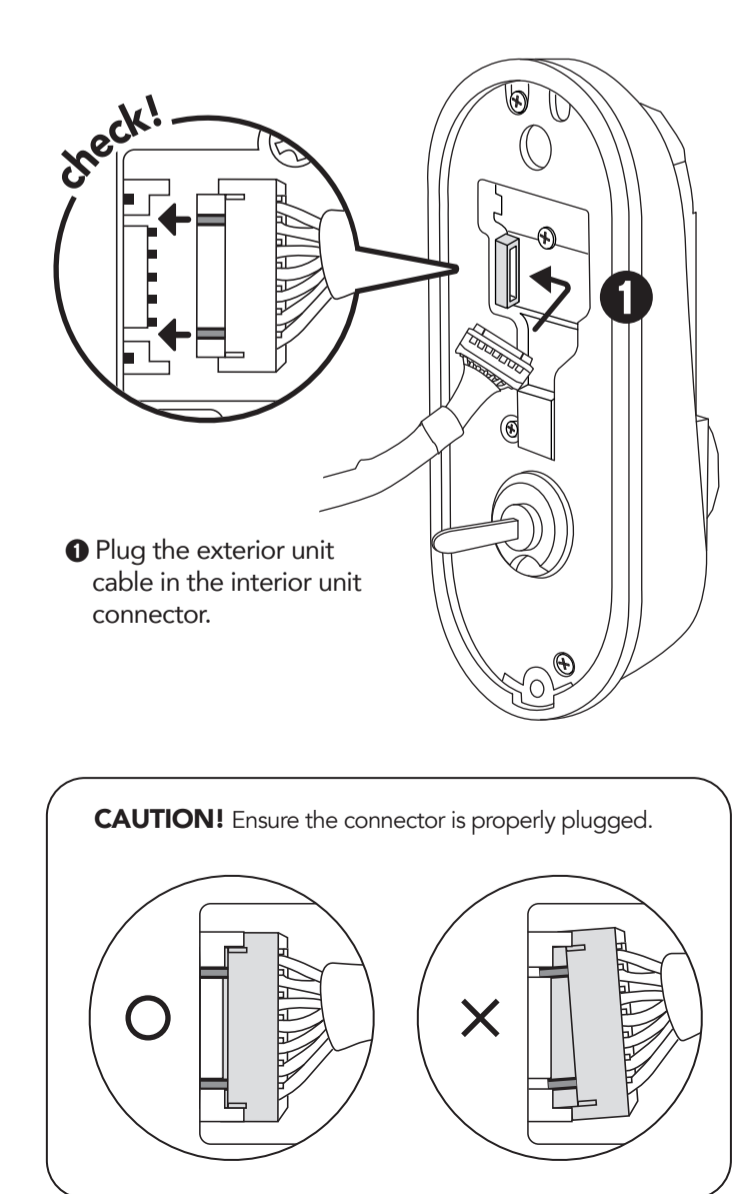
7-2 Install the Interior Mounting Plate



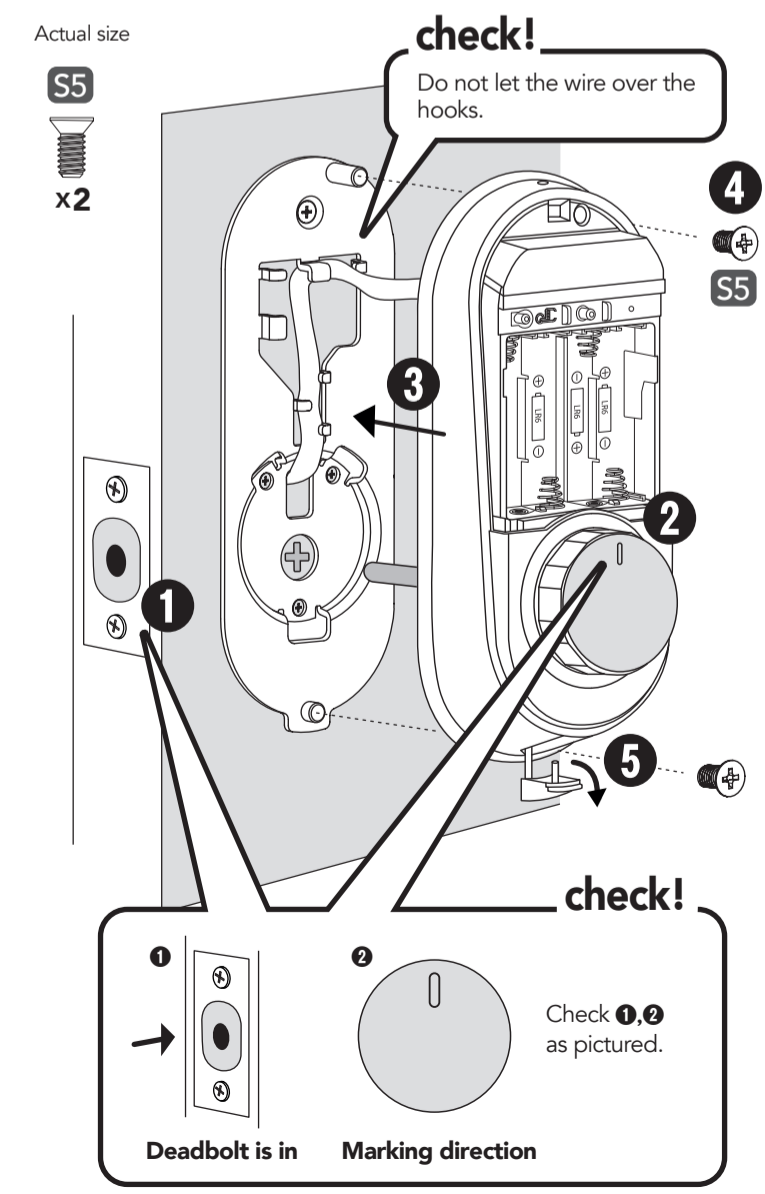
8 Use Cover Pin to Remove the Battery Cover



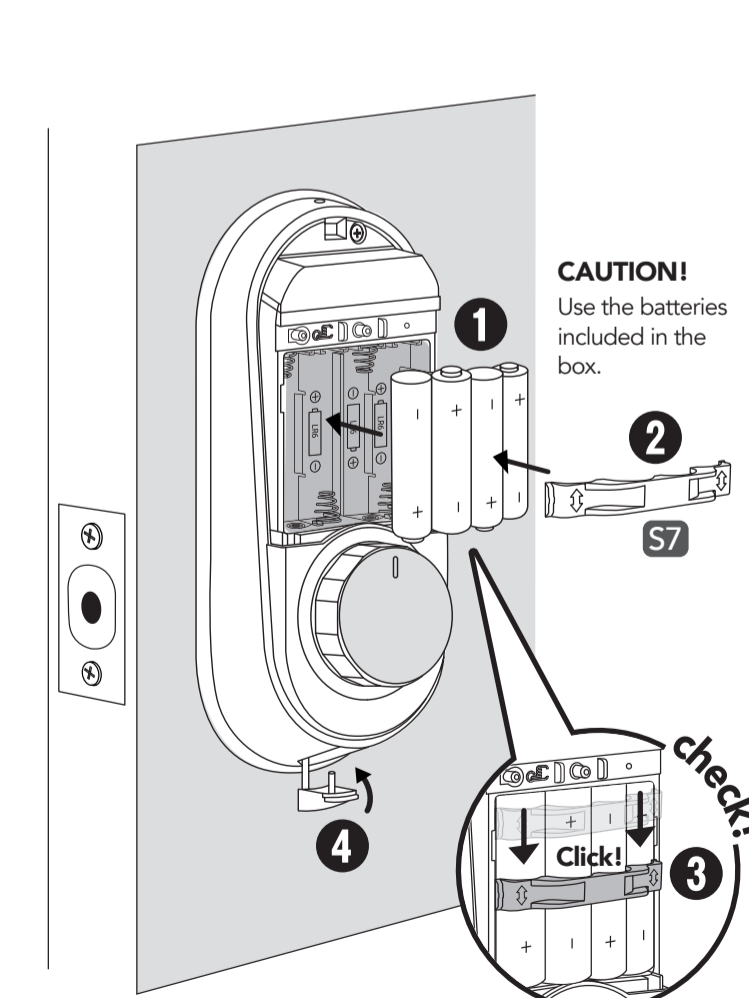
9 Plug the Connector Cable



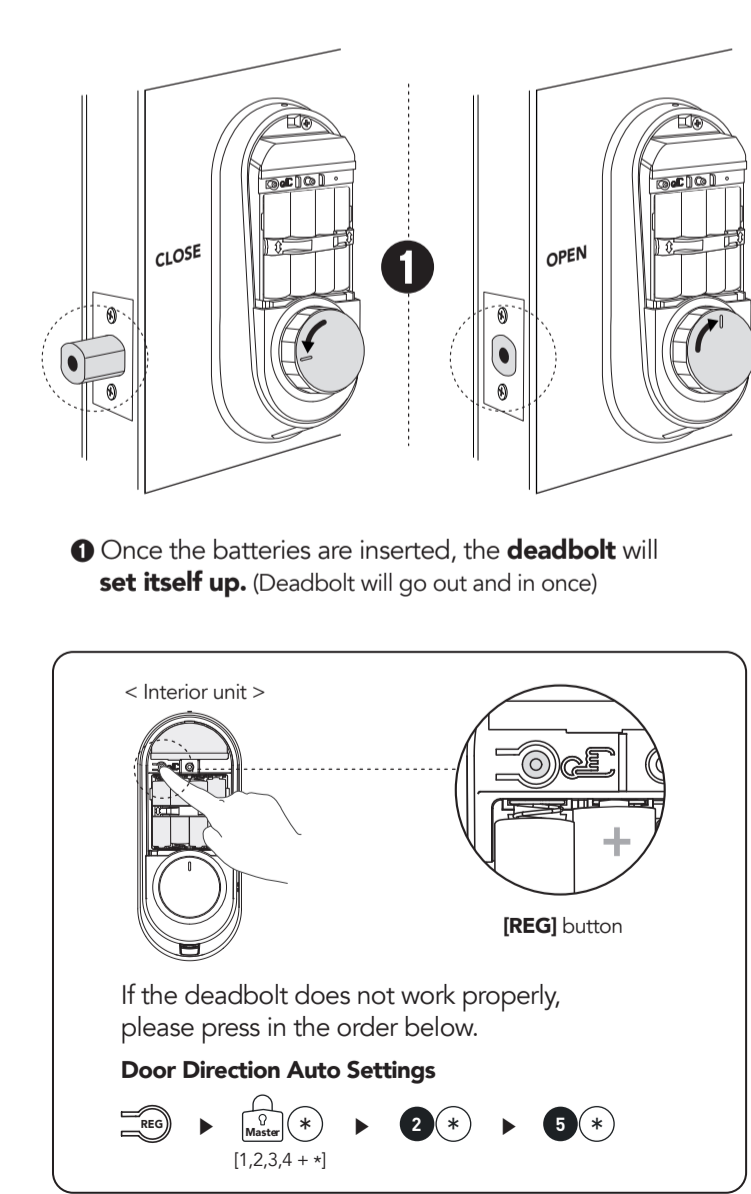
10 Install the Interior Unit



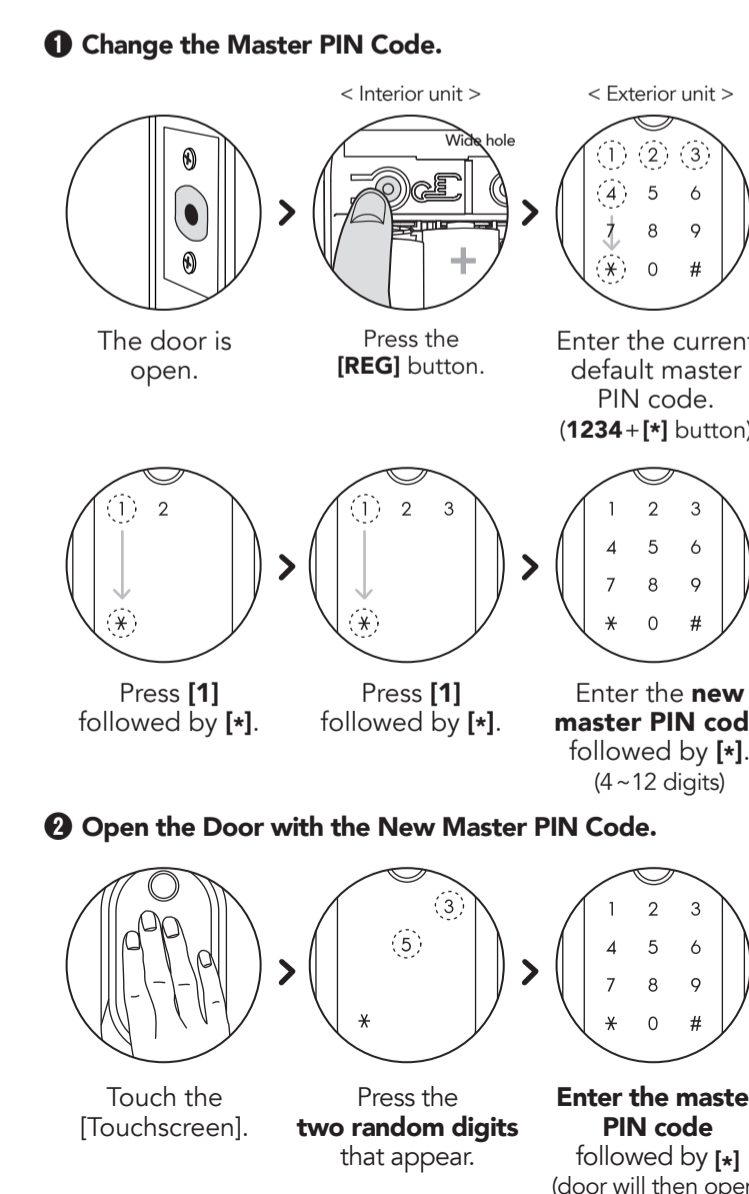
11 Install the Batteries with the Battery Bracket



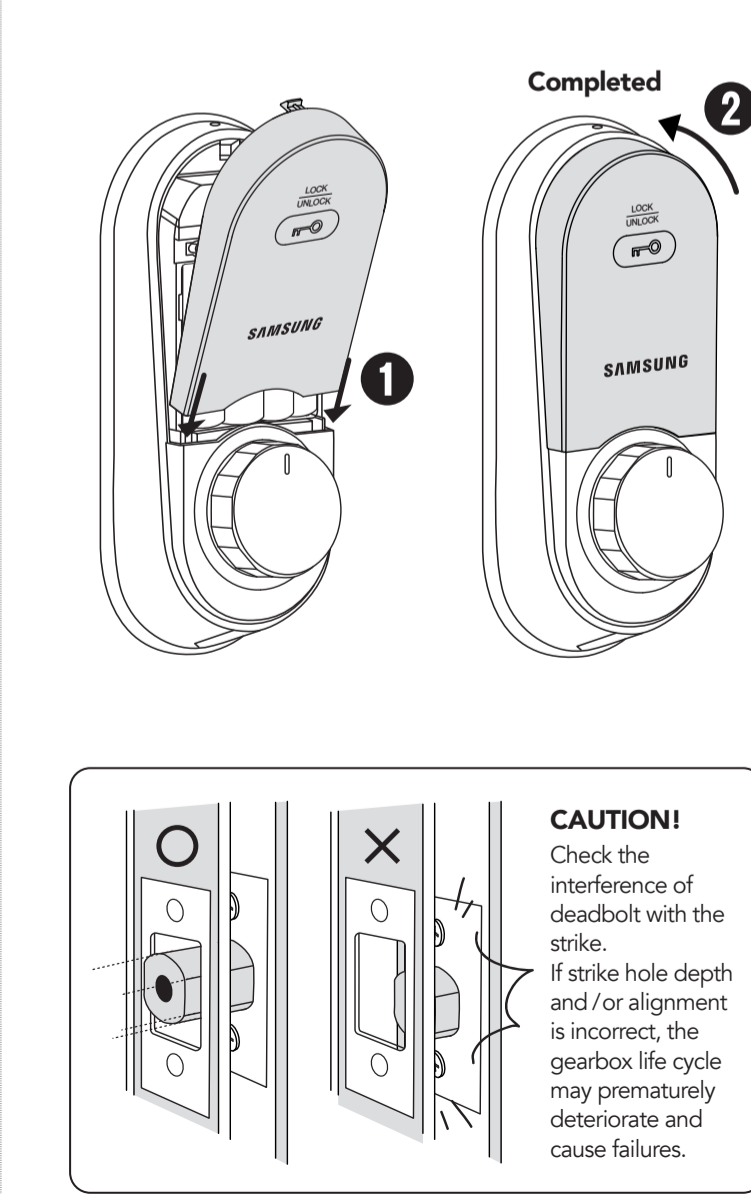
12 Complete Installation



13 Set Up the Master PIN Code



14 Install the Battery Cover



15 Check functions

