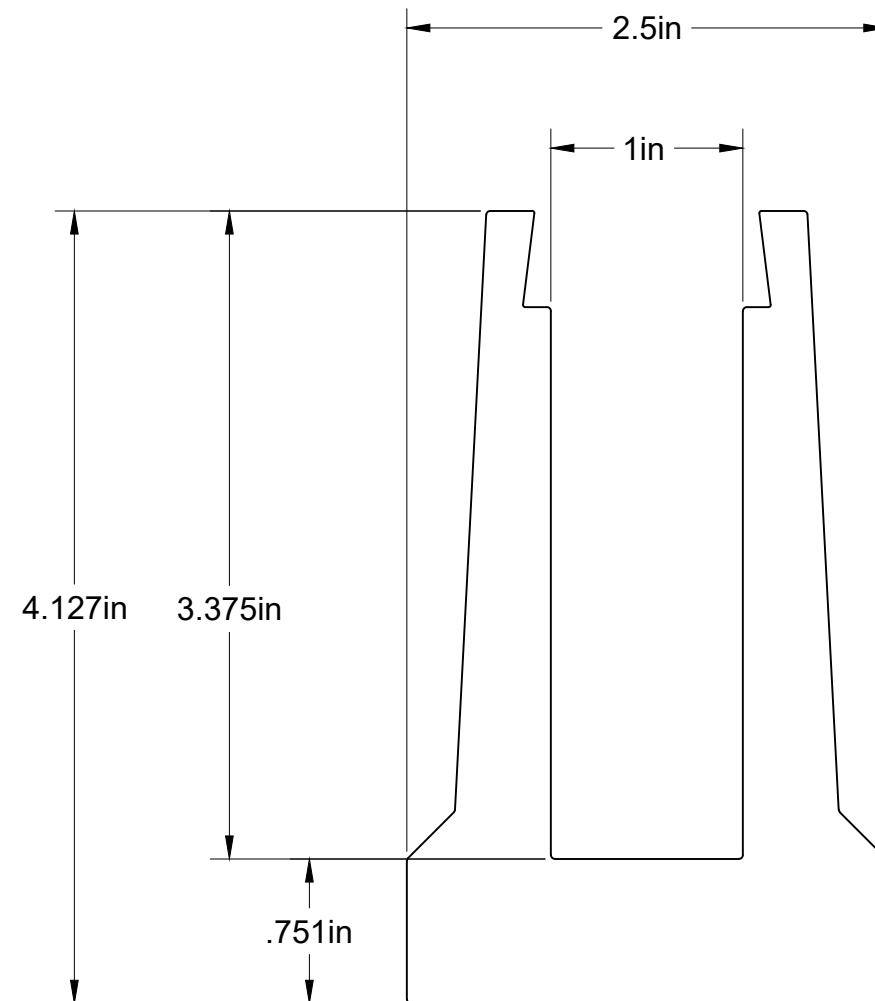




Side View



Front View

Project:	Railing Products and Mock Ups
Title:	A42-0076
Description:	
Scale:	1:1
Date Drawn:	3/10/2021
 MORSE INDUSTRIES An  Company	