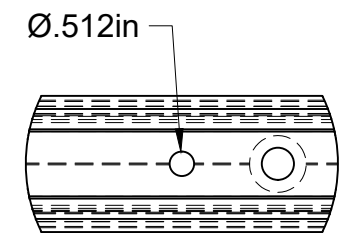


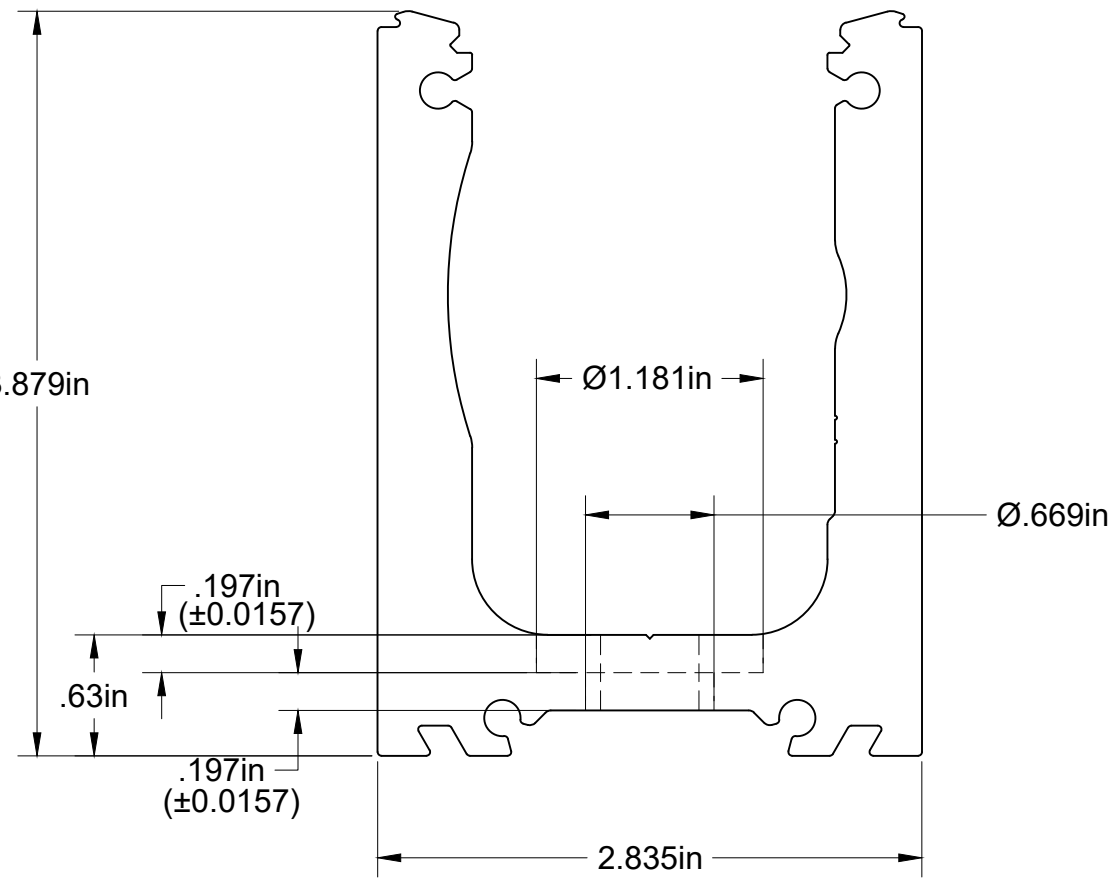
Ø.669in  
Ø1.181in

**DETAIL A**  
**SCALE 1:4**



With Snap On Gasket  
Extrusions In Place, Shoe  
Height will be 4-1/8"



**DETAIL B**  
**SCALE 1:4**



- (10) Ø 1.181" straight holes
- (10) Ø .669" straight holes
- (2) Ø .512" straight holes

Project:	Railing Products and Mock Ups
Title:	<b>A42-PL68MF10CB</b>
Description:	
Scale:	1:10
Date:	8/14/2019
	
An  Company	